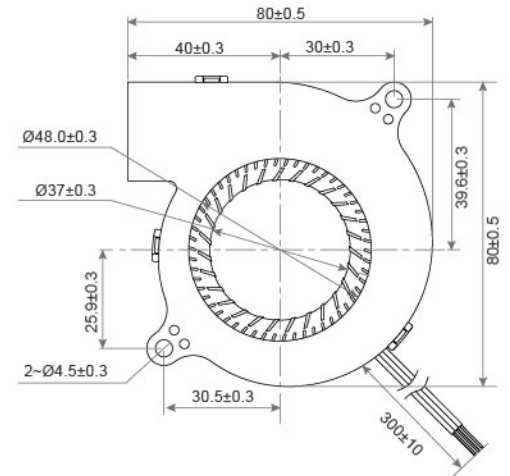
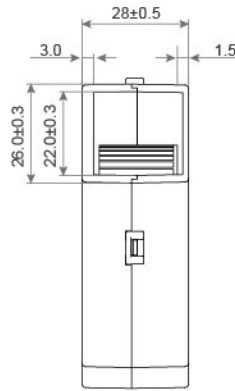


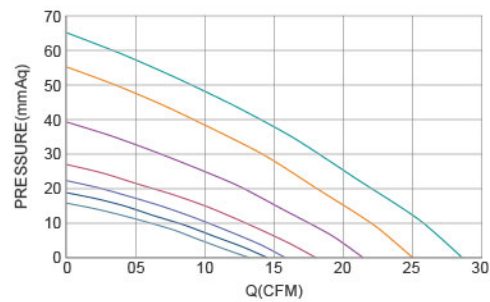
DC Blower Fan TRB8028 G SERIES 80X80X28mm

DIMENSIONS DRAWING UNIT : mm



- Frame : Thermoplastic PBT UL94-V0
外框材質：環保防火PBT
- Impeller : Thermoplastic PBT UL94-V0
扇葉材質：環保防火PBT
- Bearing : ※ Sleeve · ★ WRB · ◎ Two Ball bearing
軸承：※ 含油 · ★ WRB · ◎ 滾珠軸承
- Unit Weight : 115g
風扇單體重量：115克

P&Q Curve At Rated Voltage



Model No.	Bearing Type	Voltage (VDC)	Current (A)	Power (W)	Speed (RPM)	Air Flow (CFM)	Air Flow (m ³ /min)	Air Pressure (mmH ₂ O)	Air Pressure (Inch H ₂ O)	Noise (dBA)
TRB8028x12L	※★◎	12(5.0~13.8)	0.32	1.00	3500	13.19	0.37	15.68	0.62	42.9
TRB8028x12M	※★◎	12(5.0~13.8)	0.37	1.25	4000	14.56	0.41	19.04	0.75	45.0
TRB8028x12H	※★◎	12(5.0~13.8)	0.42	1.50	4500	15.81	0.45	22.33	0.88	47.8
TRB8028x24L	※★◎	24(15.0~32.0)	0.80	2.00	5000	17.97	0.51	27.15	1.01	49.1
TRB8028x24M	※★◎	24(15.0~32.0)	0.90	2.50	6000	21.49	0.61	39.29	1.55	53.7
TRB8028x24H	※★◎	24(15.0~32.0)	1.00	1.00	7000	25.01	0.71	55.21	2.18	57.3
TRB8028x24VH	※★◎	24(15.0~32.0)	1.20	1.25	8000	28.59	0.81	65.09	2.56	59.7

⊗ Bearing System ※ : Sleeve ★ : WRB Bearing ◎ : Ball

★如果您需要的轉速或電壓或功能不在這份清單上，請與我們業務聯繫 Please contact us, if the SPEC you need is not in the list.