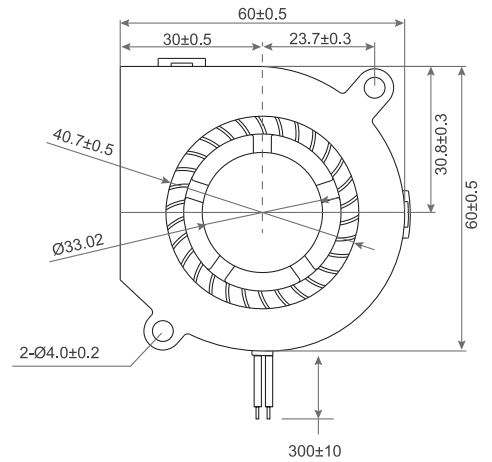
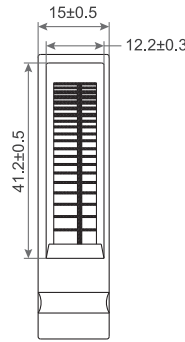


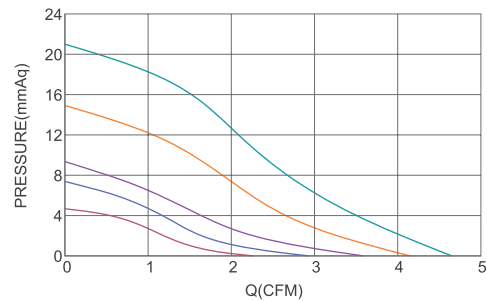
DC Blower Fan TRB6015 SERIES 60X60X15mm

DIMENSIONS DRAWING UNIT : mm



- Frame : Thermoplastic PBT UL94-V0
外框材質：環保防火PBT
- Impeller : Thermoplastic PBT UL94-V0
扇葉材質：環保防火PBT
- Bearing : ※Sleeve · ★WRB · ◎Two Ball bearing
軸承：※含油 · ★WRB · ◎滾珠軸承
- Unit Weight : 64g
風扇單體重量：64克

P&Q Curve At Rated Voltage



Model No.	Bearing Type	Voltage (VDC)	Current (A)	Power (W)	Speed (RPM)	Air Flow (CFM)	(m ³ /min)	Air Pressure (mmH ₂ O)	(Inch H ₂ O)	Noise (dBA)
TRB6015x12D	※◎★	12 (6.0~13.5)	0.10	1.2	2500	2.24	0.063	3.31	0.13	24.4
TRB6015x12L	※◎★	12 (6.0~13.5)	0.14	1.7	3000	2.78	0.079	5.12	0.20	29.5
TRB6015x12M	※◎★	12 (6.0~13.5)	0.22	2.6	3500	3.16	0.090	7.13	0.28	33.6
TRB6015x12H	※◎★	12 (6.0~13.5)	0.30	3.6	4000	3.67	0.104	9.72	0.38	36.9
TRB6015x12VH	※◎★	12 (7.0~14.0)	0.35	4.2	4500	4.13	0.117	14.06	0.55	41.2
TRB6015x12SH	※◎★	12 (7.0~14.0)	0.40	4.8	5000	4.52	0.130	20.97	0.83	45.0
TRB6015x24D	※◎★	24 (18.0~26.5)	0.05	1.2	2500	2.24	0.063	3.31	0.13	24.4
TRB6015x24L	※◎★	24 (18.0~26.5)	0.07	1.7	3000	2.78	0.079	5.12	0.20	29.5
TRB6015x24M	※◎★	24 (18.0~26.5)	0.11	2.6	3500	3.16	0.090	7.13	0.28	33.6
TRB6015x24H	※◎★	24 (18.0~26.5)	0.15	3.6	4000	3.67	0.104	9.72	0.38	36.9
TRB6015x24VH	※◎★	24 (18.0~26.5)	0.16	3.8	4500	4.13	0.117	14.06	0.55	41.2
TRB6015x24SH	※◎★	24 (18.0~26.5)	0.18	4.3	5000	4.52	0.130	20.97	0.83	45.0

◎ Bearing System ※ : Sleeve ★ : WRB ◎ : Ball

★如果您需要的轉速或電壓或功能不在這份清單上，請與我們業務聯繫 Please contact us, if the SPEC you need is not in the list.

■ B24 ★產品詳細數據及功能請參閱承認書 Please see the approval sheet for more information . ★產品規格變更不另行通知 Specifications are subject to change without notice.