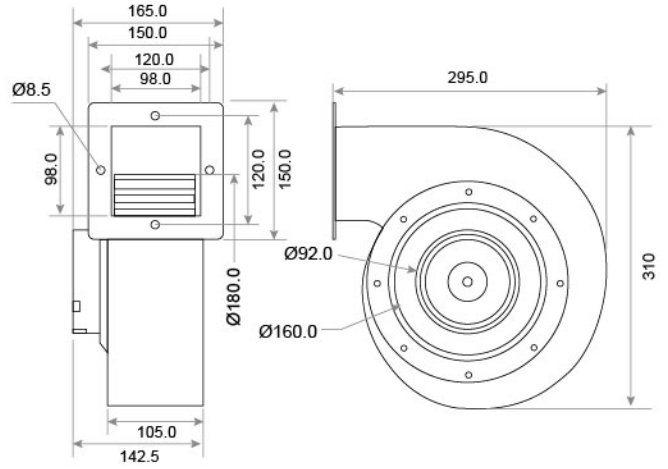
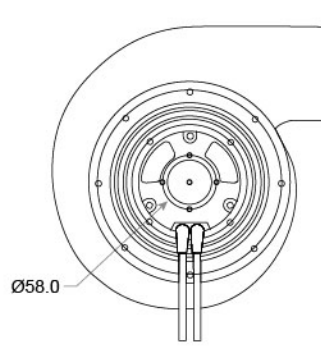
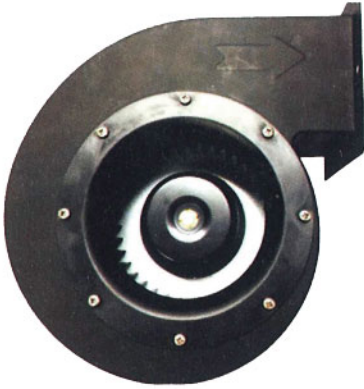
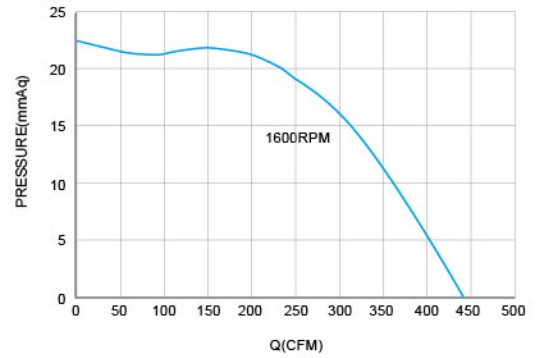


EC Blower
KYE18092 SERIES 180X180X92mm



- Frame : SPCC
外框材質：冷軋鋼板
- Impeller : SPCC
扇葉材質：冷軋鋼板
- Bearing System : ◎Two Ball Bearing
軸承結構：◎滾珠軸承



Model No.	Bearing Type	Voltage (VAC)	Frequency (Hz)	Power (W)	Speed (RPM)	Air Flow (CFM)	Air Flow (CMH)	Air Pressure (mmH ₂ O)	Air Pressure (Inch H ₂ O)	Noise (dBA)
KYE180H110	◎	110(80~135)	50/60	150.00	1600	442.20	751.80	22.40	0.89	68.00
KYE180H220	◎	220(180~265)	50/60	150.00	1600	442.20	751.80	22.40	0.89	68.00