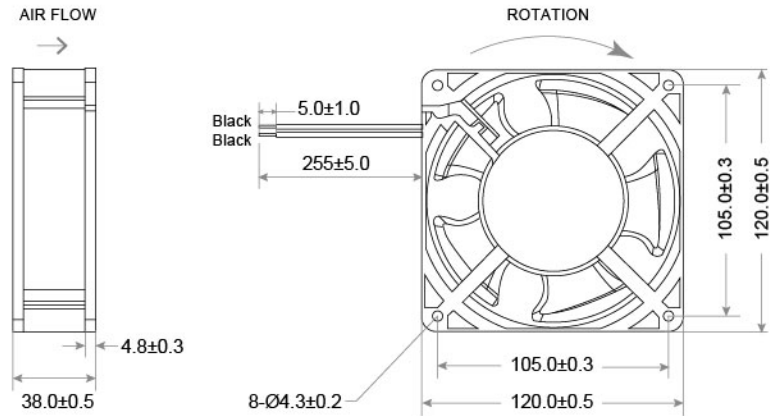
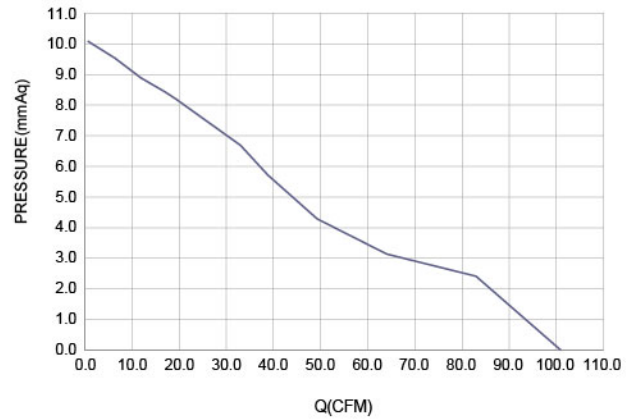


EC Fan TRT1238 SERIES 120X120X38mm



- Frame : Thermoplastic PBT UL94-V0
外框材質：環保防火PBT
- Impeller : Thermoplastic PBT UL94-V0
扇葉材質：環保防火PBT
- Bearing System : ※Sleeve · ★WRB · ◎Two Ball
軸承結構：※含油軸承 · ★專利軸承 · ◎滾珠軸承
- Unit Weight : 250g
風扇單體重量：250克



Model No.	Bearing Type	Voltage (VAC)	Frequency (HZ)	Power (W)	Speed (RPM)	Air Flow (CFM)	Air Flow (m ³ /min)	Air Pressure (mmH ₂ O)	Air Pressure (Inch H ₂ O)	Noise (dBA)
TRT1238x11M	※★◎	110(80~120)	45~65	5.0	2600	84.00	2.38	6.90	0.27	41.70
TRT1238x11H	※★◎	110(80~120)	45~65	6.0	3200	99.50	2.81	9.80	0.39	47.80
TRT1238x11VH	※★◎	110(80~120)	45~65	8.0	3800	121.30	3.43	14.50	0.57	51.50
TRT1238x11SH	※★◎	110(80~120)	45~65	13.0	4200	133.70	3.78	17.60	0.69	55.10
TRT1238x22M	※★◎	220(120~240)	45~65	5.0	2600	84.00	2.38	6.90	0.27	41.70
TRT1238x22H	※★◎	220(120~240)	45~65	6.0	3200	99.50	2.81	9.80	0.39	47.80
TRT1238x22VH	※★◎	220(120~240)	45~65	8.0	3800	121.30	3.43	14.50	0.57	51.50
TRT1238x22SH	※★◎	220(120~240)	45~65	13.0	4200	133.70	3.78	17.60	0.69	55.10

★產品詳細數據及功能請參閱承認書 Product have a detail in the approval sheet.
★產品規格變更不另行通知 Specifications are subject to change without notice.

⊗ Bearing System ※ : Sleeve ★ : WRB Bearing ◎ : Ball