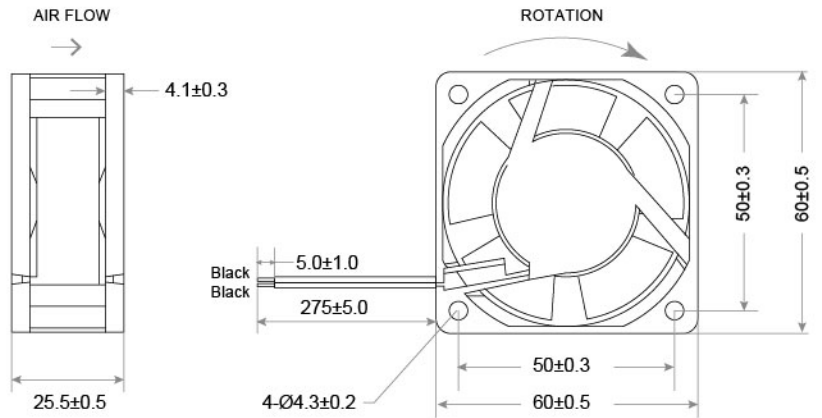
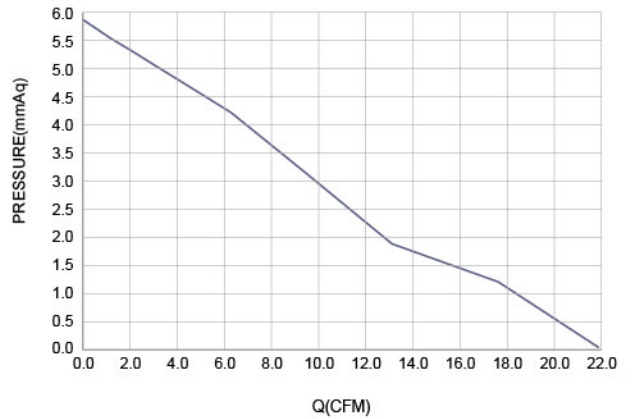


# EC Fan TRT6025 SERIES 60X60X25mm



- Frame : Thermoplastic PBT UL94-V0  
外框材質：環保防火PBT
- Impeller : Thermoplastic PBT UL94-V0  
扇葉材質：環保防火PBT
- Bearing System : ※Sleeve · ★WRB · ◎Two Ball  
軸承結構：※含油軸承 · ★專利軸承 · ◎滾珠軸承
- Unit Weight : 55g  
風扇單體重量：55克



Model No.	Bearing Type	Voltage (VAC)	Frequency (HZ)	Power (W)	Speed (RPM)	Air Flow (CFM)	Air Flow (m <sup>3</sup> /min)	Air Pressure (mmH <sub>2</sub> O)	Air Pressure (Inch H <sub>2</sub> O)	Noise (dBA)
TRT6025x11D	※★◎	110 (80~120)	45~65	3.00	3500	17.56	0.50	3.76	0.15	30.80
TRT6025x11L	※★◎	110 (80~120)	45~65	3.80	4500	22.43	0.63	6.14	0.24	35.20
TRT6025x11M	※★◎	110 (80~120)	45~65	4.20	5500	27.32	0.77	9.10	0.36	39.50
TRT6025x22D	※★◎	220 (120~240)	45~65	3.00	3500	17.56	0.50	3.76	0.15	30.80
TRT6025x22L	※★◎	220 (120~240)	45~65	3.80	4500	22.43	0.63	6.14	0.24	35.20
TRT6025x22M	※★◎	220 (120~240)	45~65	4.20	5500	27.32	0.77	9.10	0.36	39.50

★產品詳細數據及功能請參閱承認書 Product have a detail in the approval sheet.  
★產品規格變更不另行通知 Specifications are subject to change without notice.

⊗ Bearing System ※ : Sleeve ★ : WRB Bearing ◎ : Ball