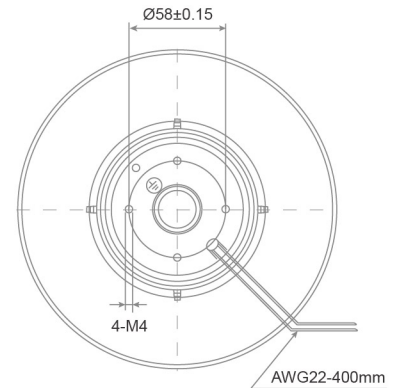
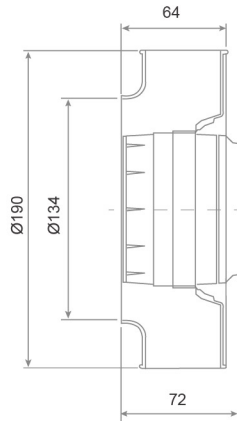


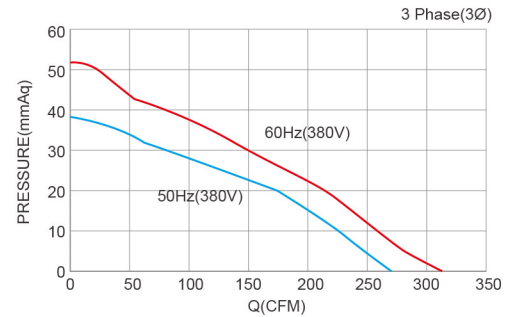
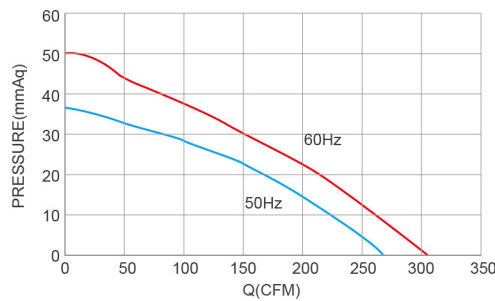
# AC Centrifugal Fan SDC SERIES $\varnothing 190 \times 72 \text{mm}$

DIMENSIONS DRAWING UNIT : mm



- Material : Plastic  
材質：塑料
- Bearing System : Two Ball Bearing  
軸承結構：滾珠軸承
- Protection Class : IP54  
防護等級：IP54
- Weight : 1820g  
風扇單體重量：1820克

P&Q Curve At Rated Voltage



Model No.	Bearing Type	Voltage (VAC)	Frequency (Hz)	Current (A)	Power (W)	Speed (RPM)	Air Flow (CFM)	Air Flow (m <sup>3</sup> /min)	Air Pressure (mmH <sub>2</sub> O)	Air Pressure (Inch H <sub>2</sub> O)	Noise (dBA)
SDC19072B1HL	◎	115	50 / 60	0.56 / 0.70	58 / 80	2700 / 3100	269 / 304	7.61 / 8.60	37 / 51	1.46 / 2.01	70 / 73
SDC19072B2HL	◎	230	50 / 60	0.26 / 0.34	58 / 80	2700 / 3100	269 / 304	7.61 / 8.60	37 / 51	1.46 / 2.01	70 / 73
SDC19072B3HL(3 $\varnothing$ )	◎	380	50 / 60	0.153 / 0.158	57 / 78	2800 / 3150	268 / 310	7.58 / 8.77	38 / 52	1.50 / 2.05	71 / 73

⊗ Bearing System ※ : Sleeve ★ : WRB Bearing ◎ : Ball

★如果您需要的轉速或電壓或功能不在這份清單上，請與我們業務聯繫 If you need another RPM or Voltage or Functions which one is not in the list, please contact us.

★產品詳細數據及功能請參閱承認書 Please see the approval sheet for more information . ★產品規格變更不另行通知 Specifications are subject to change without notice.