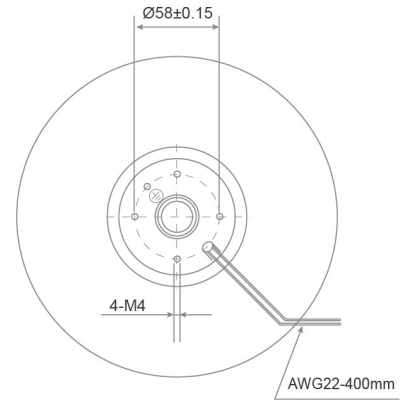
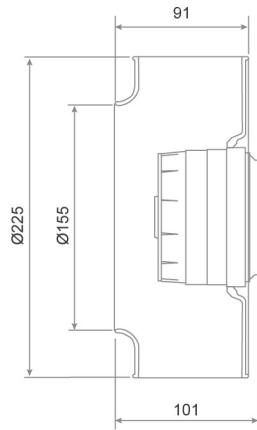


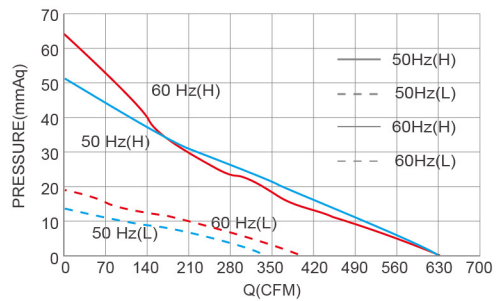
AC Centrifugal Fan SDC SERIES $\varnothing 225 \times 101 \text{mm}$

DIMENSIONS DRAWING UNIT : mm



- Material : Plastic
材質 : 塑料
- Bearing System : Two Ball Bearing
軸承結構 : 滾珠軸承
- Protection Class : IP54
防護等級 : IP54
- Weight : 1985g
風扇單體重量 : 1985克

P&Q Curve At Rated Voltage



Model No.	Bearing Type	Voltage (VAC)	Frequency (Hz)	Current (A)	Power (W)	Speed (RPM)	Air Flow (CFM)	Air Flow (m ³ /min)	Air Pressure (mmH ₂ O)	Air Pressure (Inch H ₂ O)	Noise (dBA)
SDC225101B1HL	◎	115	50 / 60	0.93 / 1.30	109 / 145	2500 / 2500	636 / 635	18.00 / 17.97	52 / 64	2.05 / 2.52	70 / 72
SDC225101B2HL	◎	230	50 / 60	0.49 / 0.67	109 / 145	2500 / 2500	636 / 635	18.00 / 17.97	52 / 64	2.05 / 2.52	70 / 72
SDC225101B1LL	◎	115	50 / 60	0.39 / 0.39	40 / 45	1400 / 1600	347 / 405	9.82 / 11.46	14 / 20	0.55 / 0.79	59 / 61
SDC225101B2LL	◎	230	50 / 60	0.18 / 0.22	40 / 50	1400 / 1600	347 / 405	9.82 / 11.46	14 / 20	0.55 / 0.79	59 / 61
SDC225101B3HL	◎	380	50 / 60	0.32 / 0.43	122 / 163	2250 / 2750	595 / 726	16.92 / 20.55	46 / 70	1.81 / 2.76	68 / 74
SDC225101B2HL*	◎	230	50 / 60	0.58 / 0.84	135 / 195	2650 / 2950	700 / 750	19.81 / 21.23	55 / 74	2.17 / 2.91	73 / 75

⊗ Bearing System ※ : Sleeve ★ : WRB Bearing ◎ : Ball

★如果您需要的轉速或電壓或功能不在這份清單上，請與我們業務聯繫 If you need another RPM or Voltage or Functions which one is not in the list, please contact us.

★產品詳細數據及功能請參閱承認書 Please see the approval sheet for more information . ★產品規格變更不另行通知 Specifications are subject to change without notice.