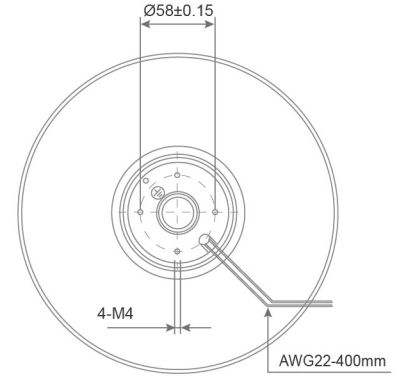
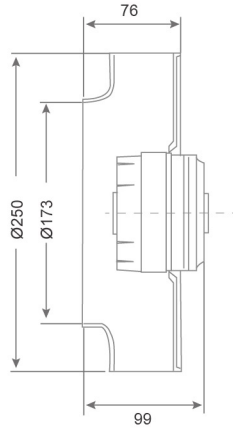
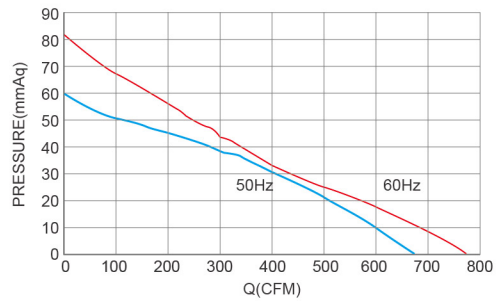


DIMENSIONS DRAWING UNIT : mm



- Material : Plastic
材質 : 塑料
- Bearing System : Two Ball Bearing
軸承結構 : 滾珠軸承
- Protection Class : IP54
防護等級 : IP54
- Weight : 2650g
風扇單體重量 : 2650克

P&Q Curve At Rated Voltage



Model No.	Bearing Type	Voltage (VAC)	Frequency (Hz)	Current (A)	Power (W)	Speed (RPM)	Air Flow (CFM)	Air Flow (m ³ /min)	Air Pressure (mmH ₂ O)	Air Pressure (Inch H ₂ O)	Noise (dBA)
SDC25099B2HL	◎	230	50 / 60	0.64 / 0.83	135 / 190	2800 / 3200	677 / 776	19.16 / 21.96	59 / 82	2.32 / 3.23	77 / 79

⊗ Bearing System ※ : Sleeve ★ : WRB Bearing ◎ : Ball

★如果您需要的轉速或電壓或功能不在這份清單上，請與我們業務聯繫 If you need another RPM or Voltage or Functions which one is not in the list, please contact us.