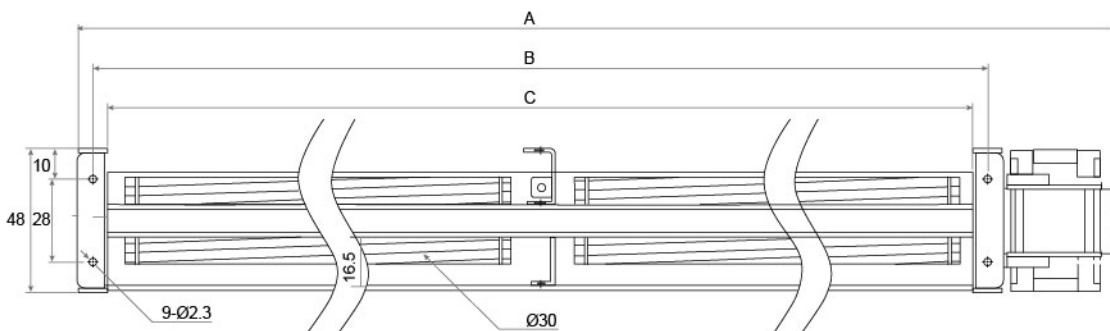
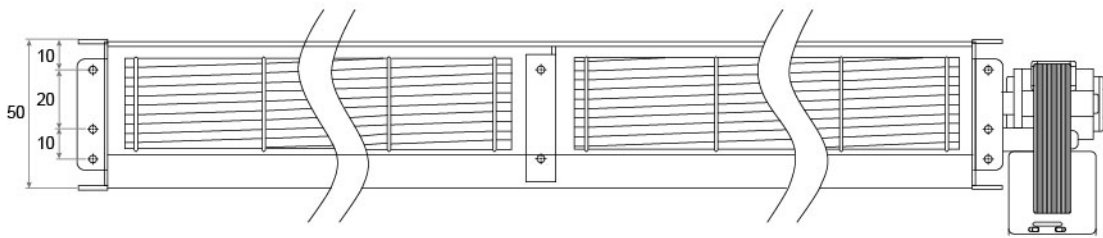
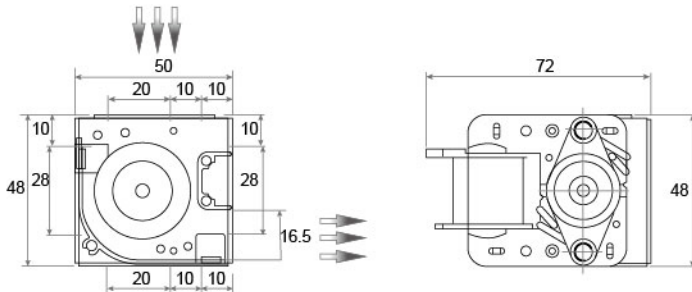


AC Cross Flow Fan SCLB30 SERIES

- Frame Material 外框材質 : Sheet Aluminum 鋁型材
- Blade Material 風輪材質 : Aluminum 鋁材

DIMENSIONS DRAWING UNIT : mm



Model No.	Total Length(A)	Installation Hole Distance(B)	Outlet Length (C)	Rated Voltage (VAC)	Frequency (Hz)	Current (Amp)	Power (Watt)	Numbers of Blower	Speed (RPM)	Pressure (Pa)	Air Flow (m ³ /h)	Noise (dBA)
SCLB30530-AC220	590	540	530	220	50	0.14	19.7	雙機	2550	18	100	33
SCLB30610-AC220	670	620	610	220	50	0.15	20.3	雙機	2400	18	115	32
SCLB30718-AC220	778	728	718	220	50	0.15	21.1	雙機	2400	18	120	35
SCLB30800-AC220	860	810	800	220	50	0.15	21.1	三機	2400	17	110	35
SCLB30854-AC220	914	864	854	220	50	0.15	21.1	三機	2400	17	135	36
SCLB30920-AC220	980	930	920	220	50	0.15	21.1	三機	2400	17	145	36
SCLB30986-AC220	1056	996	986	220	50	0.15	21.1	三機	2400	17	170	38

★如果您需要的轉速或電壓或功能不在這份清單上，請與我們業務聯繫 If you need another RPM or voltage or functions which one is not in the list, please contact us.
 ★產品詳細數據及功能請參閱承認書 Please see the approval sheet for more information .
 ★產品規格變更不另行通知 Specifications are subject to change without notice.