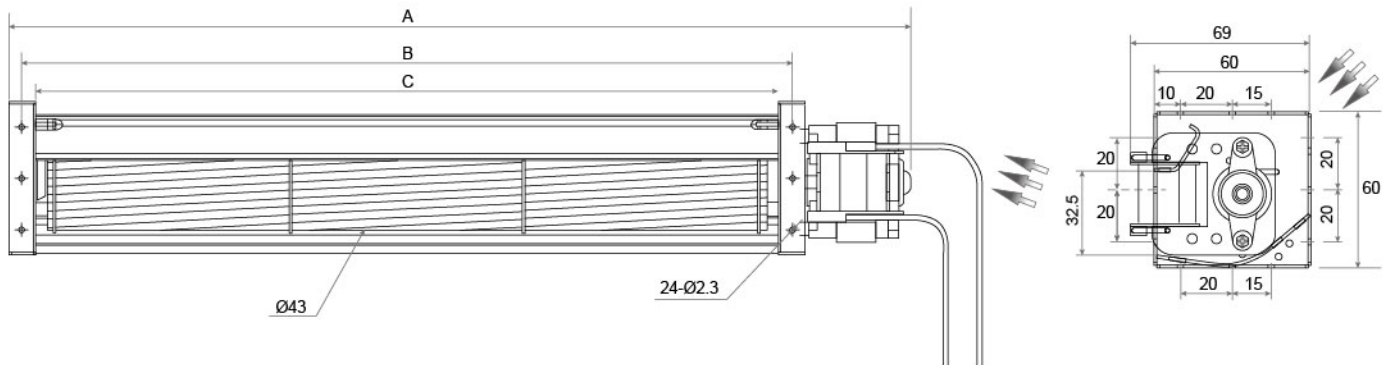
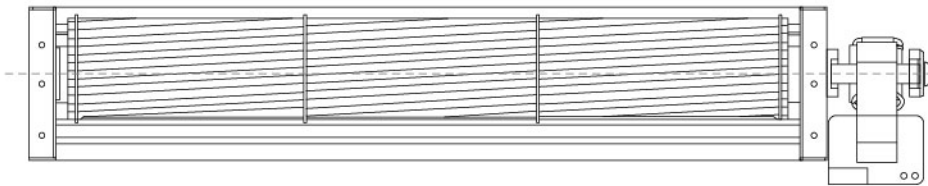


AC Cross Flow Fan SCPA43 SERIES

- Frame Material 外框材質: Galvanised Sheet Steel 鍍鋅板材
- Blade Material 風輪材質: Aluminum 鋁材

DIMENSIONS DRAWING UNIT : mm



Model No.	Total Length(A)	Installation Hole Distance(B)	Outlet Length (C)	Rated Voltage (VAC)	Frequency (Hz)	Current (Amp)	Power (Watt)	Speed (RPM)	Air Pressure (pa)	Air Flow (m³/h)	Noise (dBA)
SCPA43090-AC110	158	108	98	110	60	0.25	17	3000	22	48	37
SCPA43090-AC220	158	108	98	220	50	0.12	14	2700	18	41	37
SCPA43150-AC110	218	170	160	110	60	0.26	17	3000	22	72	38
SCPA43150-AC220	218	170	160	220	50	0.12	15	2500	16	61	38
SCPA43190-AC110	265	208	198	110	60	0.26	18	2900	22	86	39
SCPA43190-AC220	265	208	198	220	50	0.12	15	2440	14	70	38
SCPA43250-AC110	316	260	250	110	60	0.37	22	2800	21	110	39
SCPA43250-AC220	316	260	250	220	50	0.15	19	2500	15	90	38
SCPA43290-AC110	370	310	300	110	60	0.38	23	2800	21	135	40
SCPA43290-AC220	370	310	300	220	50	0.16	19	2300	11	115	37
SCPA43350-AC110	417	358	348	110	60	0.34	21	2700	19	150	41
SCPA43350-AC220	417	358	348	220	50	0.18	21	2400	15	130	39
SCPA43420-AC110	491	430	420	110	60	0.35	22	2600	20	170	42
SCPA43420-AC220	491	430	420	220	50	0.18	21	2300	11	145	40

★如果您需要的轉速或電壓或功能不在這份清單上，請與我們業務聯繫 If you need another RPM or voltage or functions which one is not in the list, please contact us.
 ★產品詳細數據及功能請參閱承認書 Please see the approval sheet for more information .
 ★產品規格變更不另行通知 Specifications are subject to change without notice.