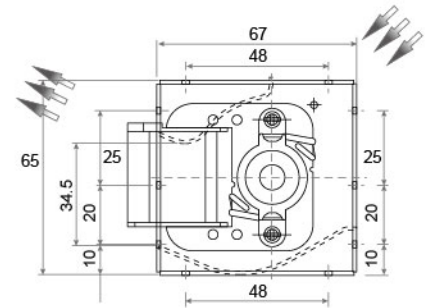
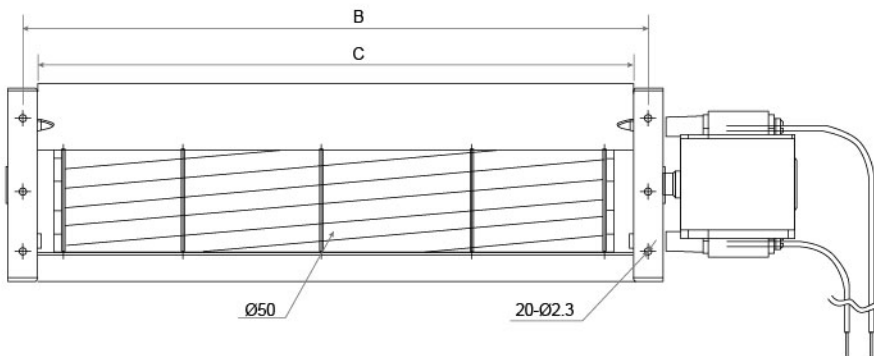
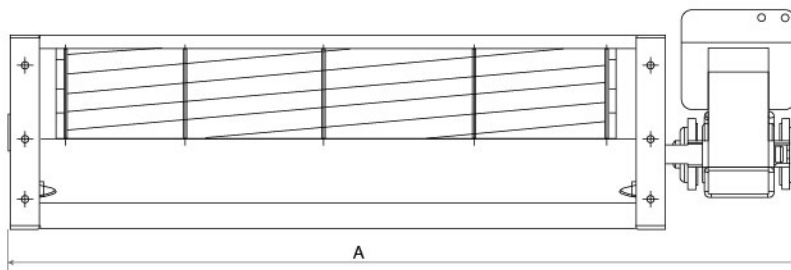


AC Cross Flow Fan SCPA50 SERIES

- Frame Material 外框材質 : Galvanised Sheet Steel 鍍鋅板材
- Blade Material 風輪材質 : Aluminum 鋁材

DIMENSIONS DRAWING UNIT : mm



Model No.	Total Length(A)	Installation Hole Distance(B)	Outlet Length (C)	Rated Voltage (VAC)	Frequency (Hz)	Current (Amp)	Power (Watt)	Speed (RPM)	Air Pressure (pa)	Air Flow (m³/h)	Noise (dBA)
SCPA50090-AC110	163	110	100	110	60	0.37	20.7	3200	44	60	40
SCPA50090-AC220	163	110	100	220	50	0.15	17.0	2700	37	50	40
SCPA50150-AC110	223	170	160	110	60	0.38	21.6	3100	41	106	40
SCPA50150-AC220	223	170	160	220	50	0.15	17.3	2500	37	90	40
SCPA50190-AC110	263	210	200	110	60	0.38	23.3	3000	40	150	42
SCPA50190-AC220	263	210	200	220	50	0.16	17.6	2500	38	125	42
SCPA50250-AC110	318	260	250	110	60	0.38	19.7	3000	42	190	44
SCPA50250-AC220	318	260	250	220	50	0.18	19.8	2600	39	153	42
SCPA50290-AC110	368	310	300	110	60	0.32	20.0	2800	45	199	45
SCPA50290-AC220	368	310	300	220	50	0.18	19.6	2500	40	187	43
SCPA50350-AC110	428	370	360	110	60	0.33	20.9	2700	49	225	48
SCPA50350-AC220	428	370	360	220	50	0.18	20.0	2500	44	216	48
SCPA50420-AC110	488	430	420	110	60	0.35	22.1	2500	54	252	52
SCPA50420-AC220	488	430	420	220	50	0.19	21.1	2300	49	206	49

★如果您需要的轉速或電壓或功能不在這份清單上，請與我們業務聯繫 If you need another RPM or voltage or functions which one is not in the list, please contact us.
 ★產品詳細數據及功能請參閱承認書 Please see the approval sheet for more information .
 ★產品規格變更不另行通知 Specifications are subject to change without notice.