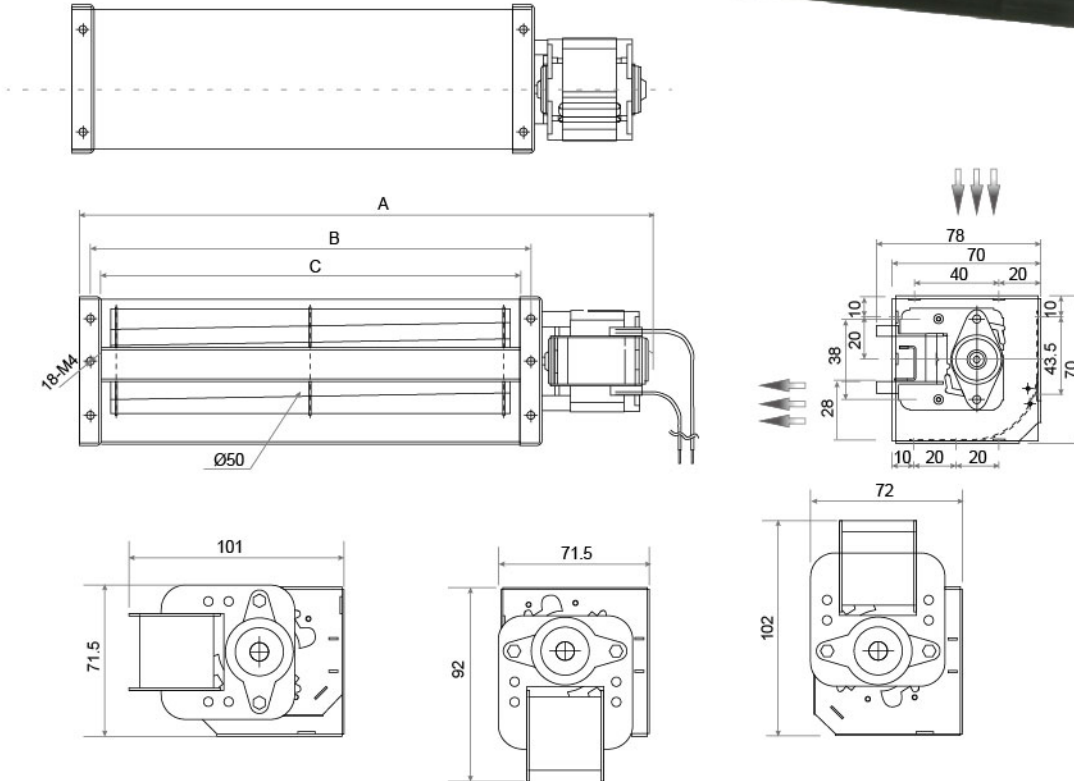


AC Cross Flow Fan SCPIB50 SERIES

- Frame Material 外框材質 : Cold Rolled Steel 冷扎鋼板
- Blade Material 風輪材質 : Aluminum 鋁材

DIMENSIONS DRAWING UNIT : mm



Model No.	Total Length(A)	Installation Hole Distance(B)	Outlet Length (C)	Rated Voltage (VAC)	Frequency (Hz)	Current (Amp)	Power (Watt)	Numbers of Blower	Speed (RPM)	Pressure (Pa)	Air Flow (m³/h)	Noise (dBA)
CPIB50090-AC110	170	108	98	110	60	0.45	27.2	-	-	44	70	40
CPIB50090-AC220	170	108	98	220	50	0.23	25.2	-	-	37	56	40
CPIB50150-AC110	231	168	158	110	60	0.47	30.1	-	-	41	131	40
CPIB50150-AC220	231	168	158	220	50	0.24	25.9	-	-	37	115	40
CPIB50190-AC110	271	208	198	110	60	0.48	32.1	-	-	40	174	42
CPIB50190-AC220	271	208	198	220	50	0.24	28.2	-	-	38	158	42
CPIB50250-AC110	326	258	248	110	60	0.50	33.5	-	-	42	205	44
CPIB50250-AC220	326	258	248	220	50	0.25	30.6	-	-	39	128	42
CPIB50290-AC110	376	308	298	110	60	0.52	34.5	-	-	45	234	45
CPIB50290-AC220	376	308	298	220	50	0.26	31.2	-	-	40	208	43
CPIB50350-AC110	436	368	358	110	60	0.92	58	-	-	49	292	46
CPIB50350-AC220	436	368	358	220	50	0.46	51	-	-	44	271	44
CPIB50420-AC110	496	428	418	110	60	0.96	62.4	-	-	45	337	46
CPIB50420-AC220	496	428	418	220	50	0.47	52.4	-	-	49	308	44

★ 如果您需要的轉速或電壓或功能不在這份清單上，請與我們業務聯繫 If you need another RPM or voltage or functions which one is not in the list, please contact us.
 ★ 產品詳細數據及功能請參閱承認書 Please see the approval sheet for more information .
 ★ 產品規格變更不另行通知 Specifications are subject to change without notice.