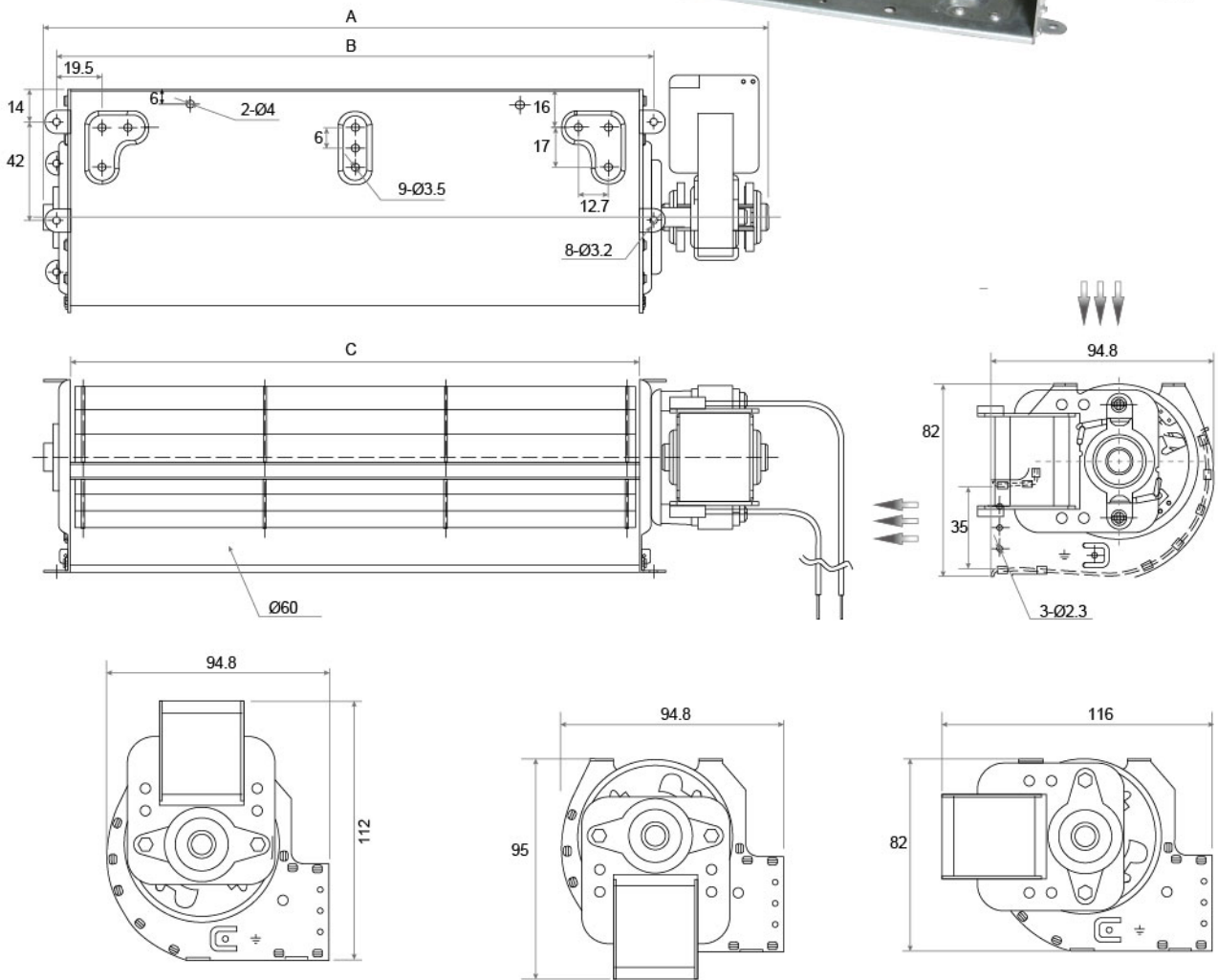
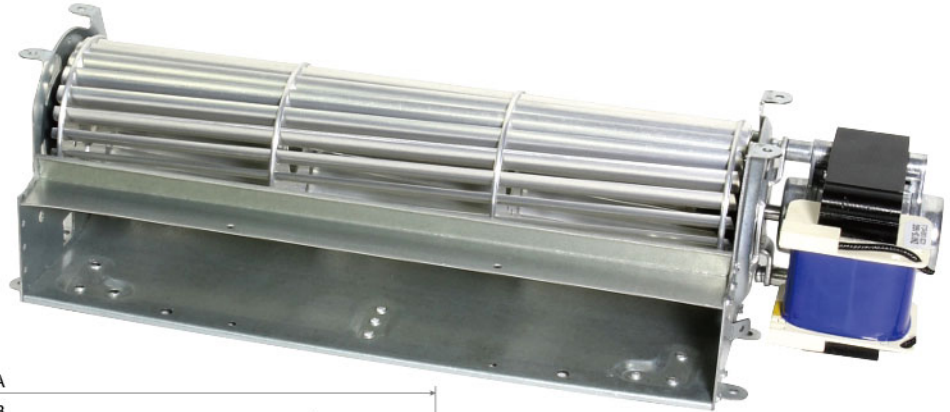


# AC Cross Flow Fan SCPA60 SERIES

- Frame Material 外框材質: Galvanised Sheet Steel 鍍鋅板材
- Blade Material 風輪材質: Aluminum 鋁材

DIMENSIONS DRAWING UNIT : mm



Model No.	Total Length(A)	Installation Hole Distance(B)	Outlet Length (C)	Rated Voltage (VAC)	Frequency (Hz)	Current (Amp)	Power (Watt)	Wind Speed (M/S)	Speed (RPM)	Pressure (Pa)	Air Flow (m³/h)	Noise (dBA)
SCPA60120-AC220	191	134	123	220	50	0.15	24	-	2400	50	105	40
SCPA60180-AC220	259	193	181	220	50	0.34	36	-	2500	54	170	40
SCPA60240-AC220	335	265	242	220	50	0.34	40	-	2200	51	210	42
SCPA60300-AC220	397	315	304	220	50	0.32	41	-	2000	48	250	42
SCPA60350-AC220	446	365	353	220	50	0.34	45	-	1800	45	220	40
SCPA60420-AC220	511	430	418	220	50	0.34	46	-	1500	42	190	38

★如果您需要的轉速或電壓或功能不在這份清單上，請與我們業務聯繫 If you need another RPM or voltage or functions which one is not in the list, please contact us.  
 ★產品詳細數據及功能請參閱承認書 Please see the approval sheet for more information .  
 ★產品規格變更不另行通知 Specifications are subject to change without notice.