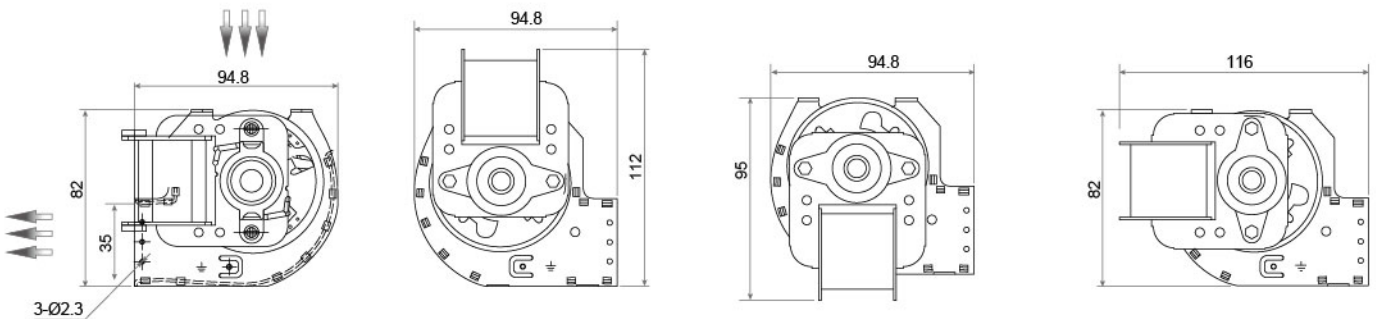
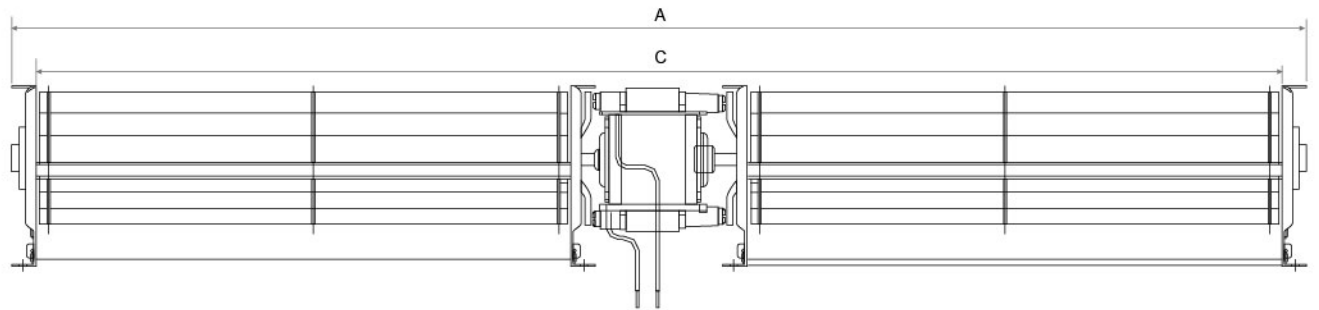
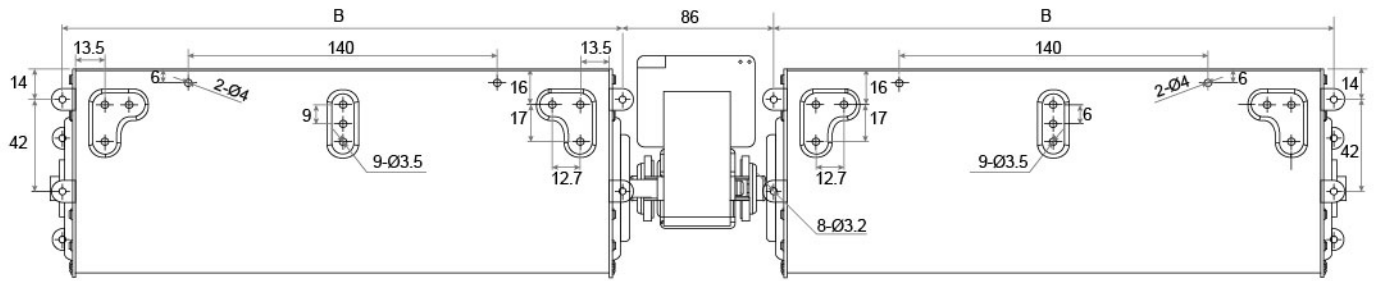


AC Cross Flow Fan SCPAA60 SERIES

- Frame Material 外框材質: Galvanised Sheet Steel 鍍鋅板材
- Blade Material 風輪材質: Aluminum 鋁材

DIMENSIONS DRAWING UNIT : mm



Model No.	Total Length(A)	Installation Hole Distance(B)	Outlet Length (C)	Rated Voltage (VAC)	Frequency (Hz)	Current (A)	Power (W)	Wind Speed (M/S)	Speed (RPM)	Air Pressure (pa)	Air Flow (m³/h)	Noise (dBA)
SCPAA60240-AC220	588	254	578	220	50	0.36	40	-	1700	47	335	40
SCPAA60300-AC220	720	315	710	220	50	0.36	40	-	1550	49	382	42
SCPAA60350-AC220	820	365	810	220	50	0.36	41	-	1300	58	355	45
SCPAA60420-AC220	950	430	940	220	50	0.37	41	-	1100	58	368	48

★ 如果您需要的轉速或電壓或功能不在這份清單上，請與我們業務聯繫 If you need another RPM or voltage or functions which one is not in the list, please contact us.
 ★ 產品詳細數據及功能請參閱承認書 Please see the approval sheet for more information .
 ★ 產品規格變更不另行通知 Specifications are subject to change without notice.