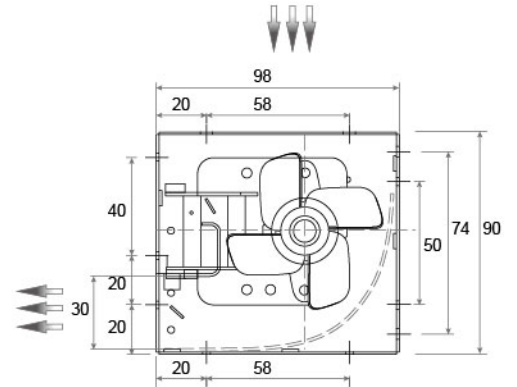
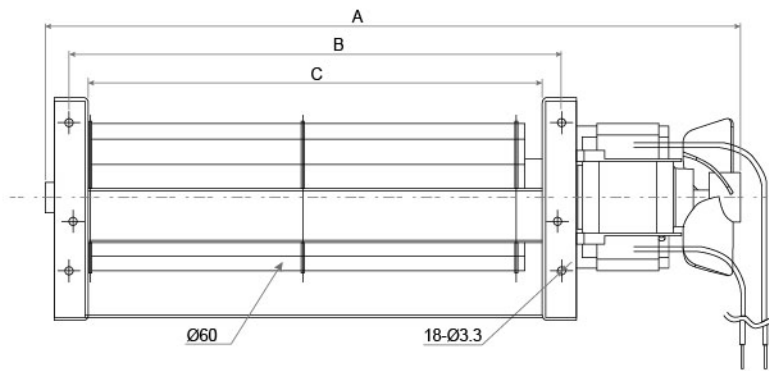
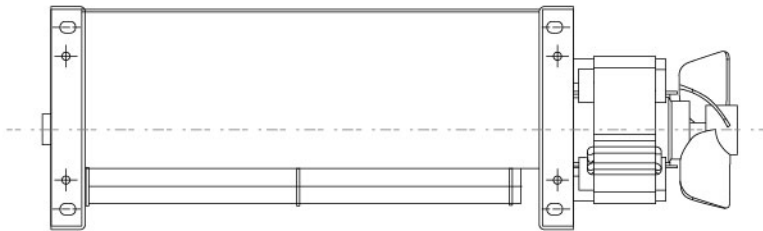


AC Cross Flow Fan SCPF60 SERIES

- Frame Material 外框材質 : Cold Rolled Steel 冷扎鋼板
- Blade Material 風輪材質 : Aluminum 鋁材

DIMENSIONS DRAWING UNIT : mm



Model No.	Total Length(A)	Installation Hole Distance(B)	Outlet Length (C)	Rated Voltage (VAC)	Frequency (Hz)	Current (A)	Power (W)	Speed (RPM)	Air Pressure (pa)	Air Flow (m³/h)	Noise (dBA)
SCPF60120-AC110	190	138	123	110	60	0.47	30.9	3000	47	141	40
SCPF60120-AC220	190	138	123	220	50	0.24	28.5	2700	40	125	40
SCPF60180-AC110	251	199	184	110	60	0.54	34.4	2600	54	180	47
SCPF60180-AC220	251	199	184	220	50	0.25	32.1	2500	52	166	47
SCPF60240-AC110	312	260	245	110	60	0.57	35.8	2000	50	200	41
SCPF60240-AC220	312	260	245	220	50	0.27	34.0	2300	45	230	44
SCPF60300-AC110	398	321	306	110	60	0.99	62.5	2400	54	270	46
SCPF60300-AC220	398	321	306	220	50	0.47	53.1	2300	54	280	46
SCPF60360-AC110	459	382	368	110	60	1.01	64.1	1900	41	280	43
SCPF60360-AC220	459	382	368	220	50	0.49	56.9	1950	47	280	43
SCPF60420-AC110	521	444	429	110	60	1.01	64.5	1600	21	245	43
SCPF60420-AC220	521	444	429	220	50	0.41	39	1800	23	265	44

★如果您需要的轉速或電壓或功能不在這份清單上，請與我們業務聯繫 If you need another RPM or voltage or functions which one is not in the list, please contact us.
 ★產品詳細數據及功能請參閱承認書 Please see the approval sheet for more information .
 ★產品規格變更不另行通知 Specifications are subject to change without notice.