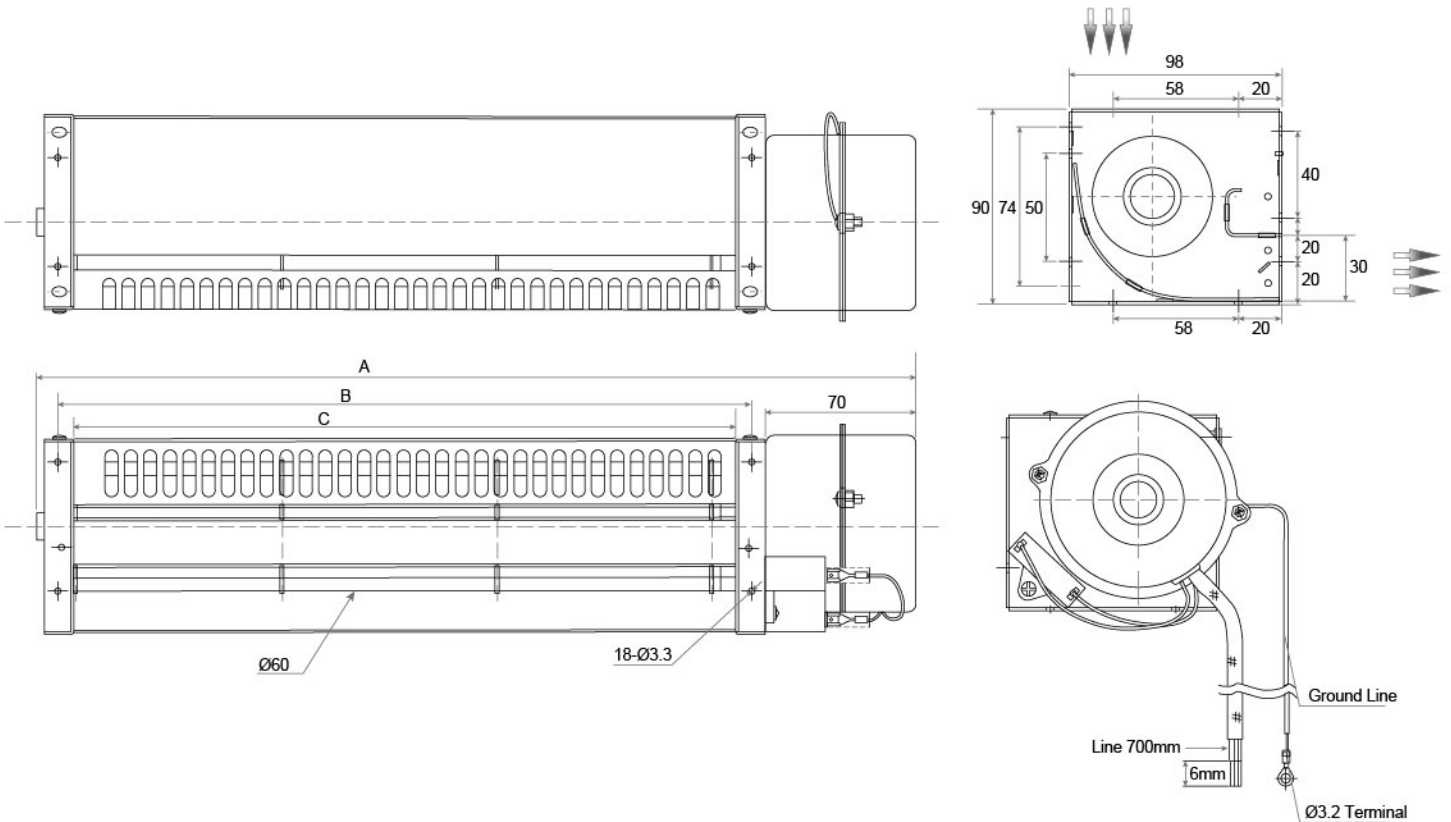


# AC Cross Flow Fan SCPF60D SERIES

- Frame Material 外框材質 : Cold Rolled Steel 冷扎鋼板
- Blade Material 風輪材質 : Aluminum 鋁材

DIMENSIONS DRAWING UNIT : mm



Model No.	Total Length(A)	Installation Hole Distance(B)	Outlet Length (C)	Rated Voltage (VAC)	Frequency (Hz)	Current (A)	Power (W)	Wind Speed (M/S)	Speed (RPM)	Air Pressure (pa)	Air Flow (m³/h)	Noise (dBA)
SCPF60180-AC220	285	199	184	220	50	0.24	28	3.0	2800	58	203	46
SCPF60240-AC220	335	260	245	220	50	0.13	30	3.0	2700	58	239	45
SCPF60300-AC220	395	321	306	220	50	0.15	33	3.1	2700	59	331	47
SCPF60360-AC220	458	383	368	220	50	0.16	35	2.7	2600	49	337	49
SCPF60420-AC220	530	444	429	220	50	0.17	37	3.0	2500	40	417	50

★如果您需要的轉速或電壓或功能不在這份清單上，請與我們業務聯繫 If you need another RPM or voltage or functions which one is not in the list, please contact us.  
 ★產品詳細數據及功能請參閱承認書 Please see the approval sheet for more information .  
 ★產品規格變更不另行通知 Specifications are subject to change without notice.