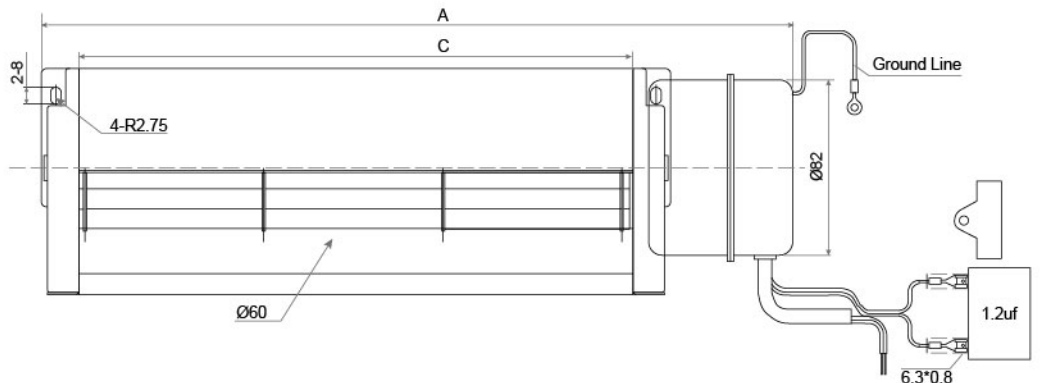
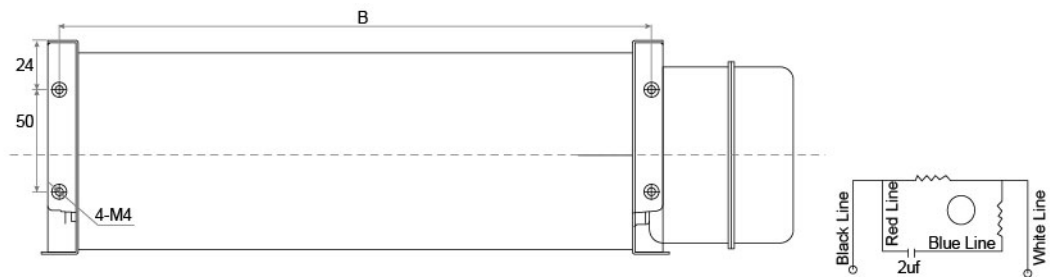
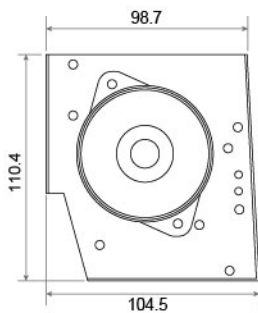
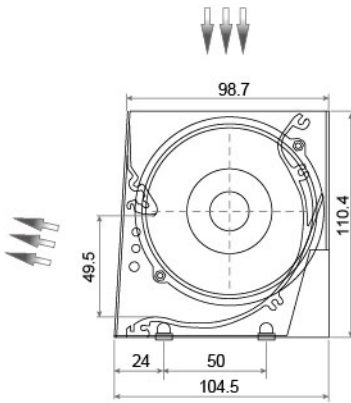
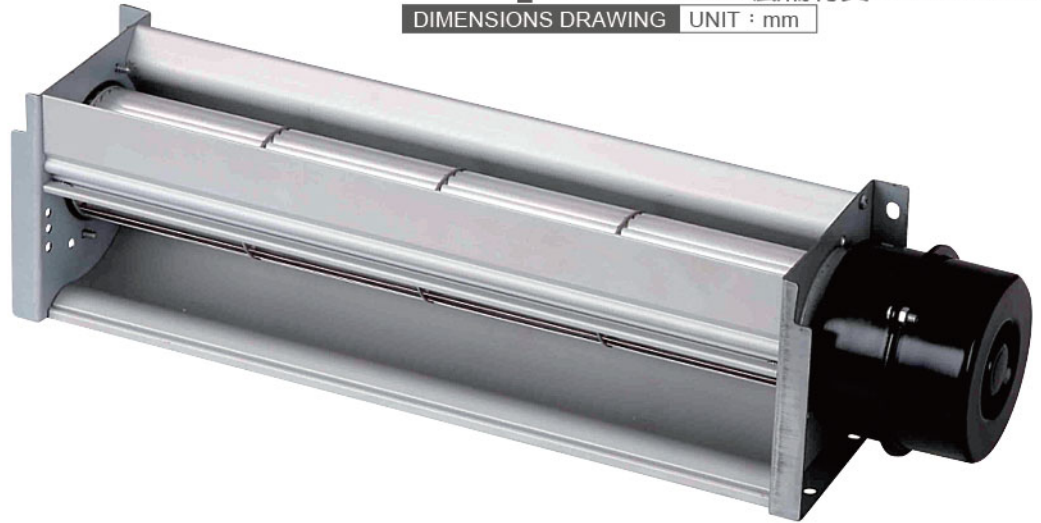


AC Cross Flow Fan SCPH60D SERIES

Material 材質: Sheet Aluminum 鋁型材
Blade Material 風輪材質: Aluminum 鋁材

DIMENSIONS DRAWING UNIT: mm



Model No.	Total Length(A)	Installation Hole Distance(B)	Outlet Length (C)	Rated Voltage (VAC)	Frequency (Hz)	Current (A)	Power (W)	Wind Speed (M/S)	Speed (RPM)	Air Pressure (pa)	Air Flow (m ³ /h)	Noise (dBA)
SCPH60270D-AC220	365	289	270	220	50	0.22	47	-	2600	39	423	40
SCPH60300D-AC220	395	319	300	220	50	0.20	42	-	2400	41	391	44
SCPH60350D-AC220	445	369	350	220	50	0.20	45	-	2450	48	437	50

★如果您需要的轉速或電壓或功能不在這份清單上，請與我們業務聯繫 If you need another RPM or voltage or functions which one is not in the list, please contact us.
★產品詳細數據及功能請參閱承認書 Please see the approval sheet for more information.
★產品規格變更不另行通知 Specifications are subject to change without notice.