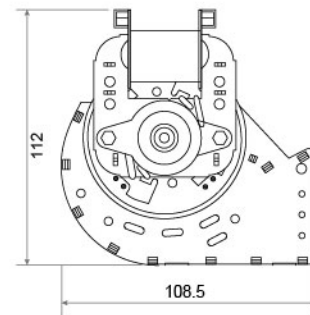
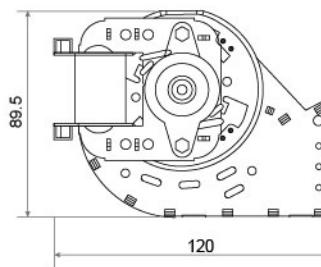
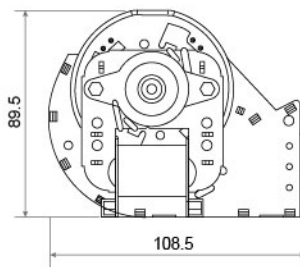
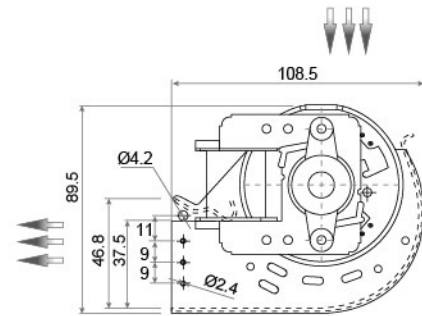
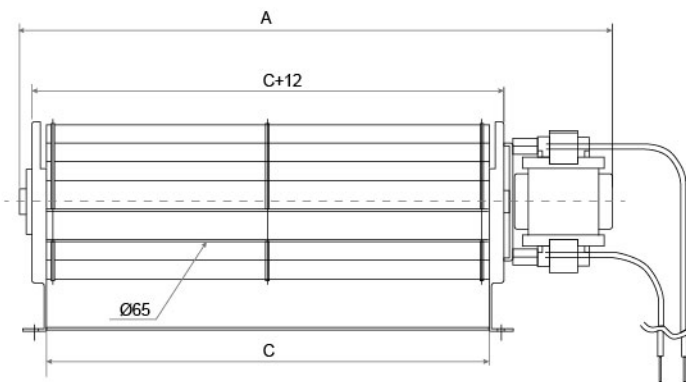
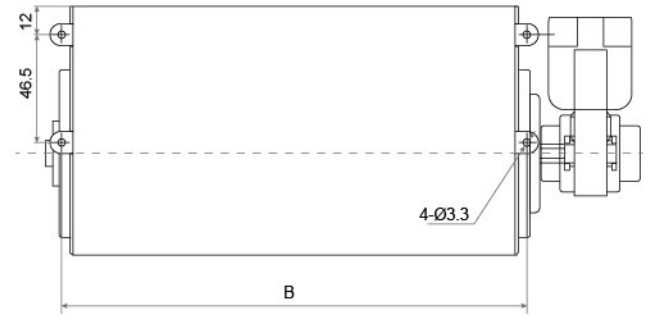


# AC Cross Flow Fan SCPA65 SERIES

- Frame Material 外框材質: Galvanised Sheet Steel 鍍鋅板材
- Blade Material 風輪材質: Aluminum 鋁材

DIMENSIONS DRAWING UNIT : mm



Model No.	Total Length(A)	Installation Hole Distance(B)	Outlet Length (C)	Rated Voltage (VAC)	Frequency (Hz)	Current (A)	Power (W)	Wind Speed (M/S)	Speed (RPM)	Air Pressure (pa)	Air Flow (m <sup>3</sup> /h)	Noise (dBA)
SCPA65190-AC220	256	200	190	220	50	0.36	-	9.3	1900	36	254	46
SCPA65240-AC220	313	252	242	220	50	0.36	-	7.5	1500	30	262	45
SCPA65300-AC220	385	312	302	220	50	0.36	-	7.0	1300	27	302	42
SCPA65360-AC220	447	372	362	220	50	0.37	-	6.8	1200	25	355	41

★ 如果您需要的轉速或電壓或功能不在這份清單上，請與我們業務聯繫 If you need another RPM or voltage or functions which one is not in the list, please contact us.  
 ★ 產品詳細數據及功能請參閱承認書 Please see the approval sheet for more information .  
 ★ 產品規格變更不另行通知 Specifications are subject to change without notice.