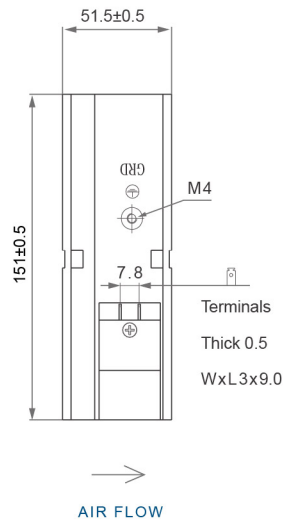
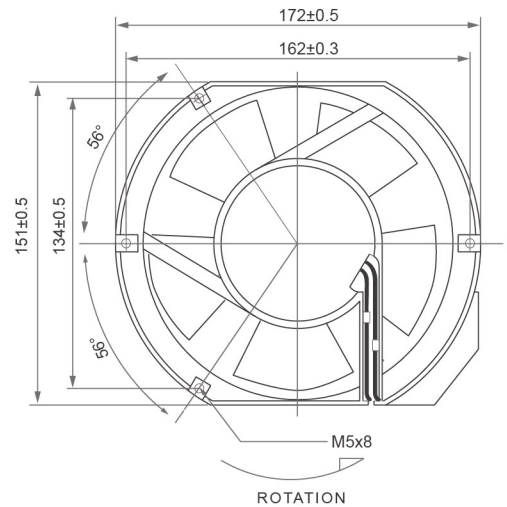


# AC Axial Fan SA15050 SERIES 172X150X51mm

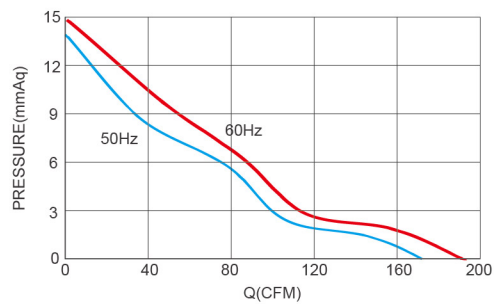


DIMENSIONS DRAWING UNIT : mm



- Frame : Aluminum Housing  
外框材質：鋁框
- Impeller : Thermoplastic PBT UL 94-V0  
扇葉材質：環保防火PBT UL94-V0
- Ingress Protection : Optional IP55 or IP68  
防護等級：可選擇 IP55或IP68
- Weight : 880g  
風扇單體重量：880克

P&Q Curve At Rated Voltage

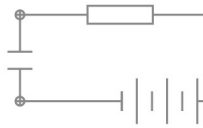


Model No.	Bearing Type	Voltage (VAC)	Frequency (Hz)	Current (A)	Power (W)	Speed (RPM)	Air Flow		Air Pressure		Noise (dBA)
							(CFM)	(m <sup>3</sup> /min)	(mmH <sub>2</sub> O)	(Inch H <sub>2</sub> O)	
SA15050B1Hx	◎	115	50/60	0.64/0.53	46/40	2700/3050	180/195	5.10/5.52	13.3/14.4	0.52/0.57	56/60
SA15050B1Mx	◎	115	60	0.40	30	2450	153	4.33	5.3	0.21	52
SA15050B1Lx	◎	115	60	0.39	30	2050	126	3.77	3.7	0.15	47
SA15050S1Hx	※	115	50/60	0.63/0.57	42/39	2700/2950	175/190	4.96/5.38	12.5/11.0	0.49/0.43	56/59
SA15050S1Mx	※	115	60	0.47	36	2600	175	4.96	7.0	0.28	53
SA15050S1Lx	※	115	60	0.45	35	2000	130	3.68	3.4	0.13	45
SA15050B2Hx	◎	220-240	50/60	0.31/0.26	42/37	2700/3000	178/190	5.04/5.38	13.3/12.1	0.52/0.48	56/60
SA15050B2Mx	◎	220-240	50	0.15	22	2450	155	4.39	8.0	0.32	52
SA15050B2Lx	◎	220-240	50	0.14	20	2050	133	3.77	4.0	0.16	47
SA15050S2Hx	※	220-240	50/60	0.31/0.27	42/39	2700/2900	175/186	4.96/5.27	13.0/11.0	0.51/0.43	56/59
SA15050S2Mx	※	220-240	50	0.17	25	2400	155	4.39	6.8	0.27	51
SA15050S2Lx	※	220-240	50	0.13	20	1950	130	3.68	2.7	0.11	45

⊗ : Bearing System ※ : Sleeve ★ : WRB Bearing ◎ : Ball

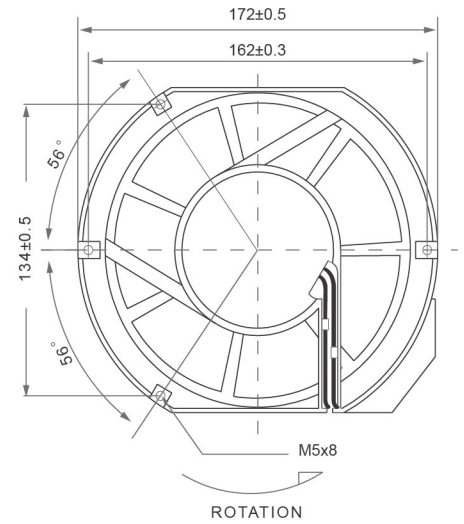
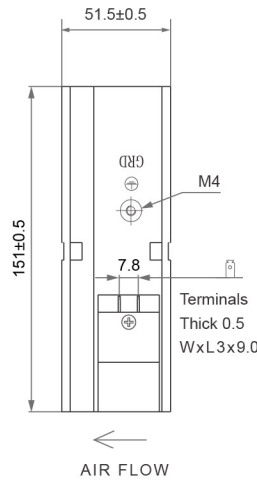
★如果您需要的轉速或電壓或功能不在這份清單上，請與我們業務聯繫 If you need another RPM or Voltage or Functions which one is not in the list, please contact us.

★產品詳細數據及功能請參閱承認書 Please see the approval sheet for more information . ★產品規格變更不另行通知 Specifications are subject to change without notice.

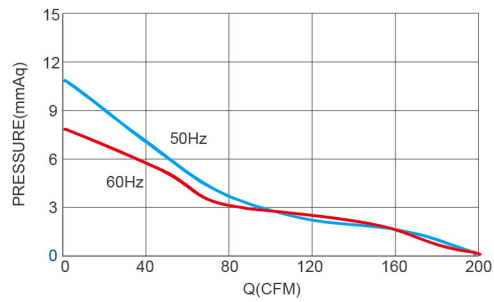


# AC Axial Fan SA15050 7V SERIES 172X151X51mm

DIMENSIONS DRAWING UNIT : mm



P&Q Curve At Rated Voltage



- Frame : Aluminum Housing  
外框材質：鋁框
- Impeller : Thermoplastic PBT UL 94-V0  
扇葉材質：環保防火PBT UL94-V0
- Ingress Protection : Optional IP55 or IP68  
防護等級：可選擇 IP55或IP68
- Weight : 900g  
風扇單體重量：900克

Model No.	Bearing Type	Voltage (VAC)	Frequency (Hz)	Current (A)	Power (W)	Speed (RPM)	Air Flow (CFM)	(m <sup>3</sup> /min)	Air Pressure (mmH <sub>2</sub> O)	(Inch H <sub>2</sub> O)	Noise (dBA)
SA15050B1Hx	◎	115	50/60	0.63/0.56	46/41	2700/3000	190/200	5.38/5.67	10.7/7.8	0.42/0.31	57/61
SA15050B1Mx	◎	115	60	0.43	32	2450	172	4.87	3.2	0.13	53
SA15050B1Lx	◎	115	60	0.38	29	2000	133	3.77	2.2	0.09	45
SA15050S1Hx	※	115	50/60	0.65/0.57	47/43	2700/2900	182/195	5.15/5.52	8.8/5.2	0.35/0.20	56/59
SA15050S1Mx	※	115	60	0.46	35	2500	170	4.82	2.8	0.11	53
SA15050S1Lx	※	115	60	0.43	32	1900	133	3.77	2.2	0.09	44
SA15050B2Hx	◎	220-240	50/60	0.31/0.26	42/37	2700/3000	187/200	5.30/5.67	9.5/7.0	0.37/0.28	57/61
SA15050B2Mx	◎	220-240	50	0.15	22	2450	162	4.60	4.1	0.16	53
SA15050B2Lx	◎	220-240	50	0.13	19	2150	150	4.25	2.6	0.10	49
SA15050S2Hx	※	220-240	50/60	0.31/0.27	42/39	2650/2900	183/195	5.19/5.52	9.5/5.2	0.37/0.20	56/59
SA15050S2Mx	※	220-240	50	0.17	26	2350	155	4.39	3.2	0.13	52
SA15050S2Lx	※	220-240	50	0.15	22	2000	140	3.97	2.0	0.08	46

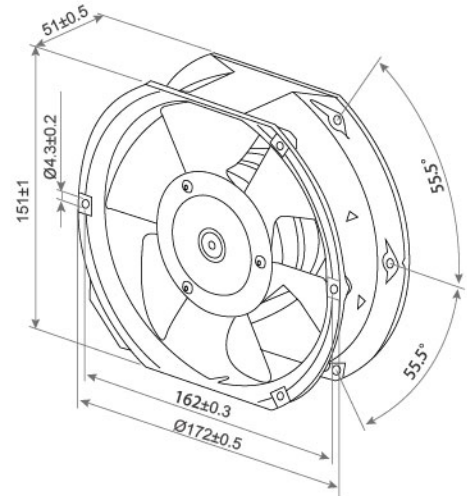
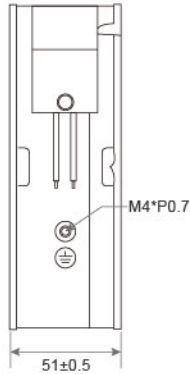
⊗ Bearing System ※ : Sleeve ★ : WRB Bearing ◎ : Ball

★如果您需要的轉速或電壓或功能不在這份清單上，請與我們業務聯繫 If you need another RPM or Voltage or Functions which one is not in the list, please contact us.

★產品詳細數據及功能請參閱承認書 Please see the approval sheet for more information . ★產品規格變更不另行通知 Specifications are subject to change without notice.

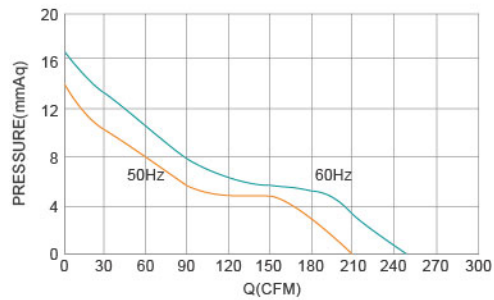


DIMENSIONS DRAWING UNIT : mm



- Frame : Aluminum  
外框材質：鋁框
- Impeller : Metal or Thermoplastic PBT UL 94-V0  
扇葉材質：金屬葉或環保防火PBT
- Ingress Protection : Optional IP54 or IP56 or IP68  
防護等級：可選擇 IP54或IP56或IP68
- Weight : Metal Impeller 1080g / Plastic Impeller 920g  
風扇單體重量：金屬葉 1080克 / 塑膠葉 940克

P&Q Curve At Rated Voltage



Model No.	Bearing Type	Voltage (VAC)	Frequency (Hz)	Current (A)	Power (W)	Speed (RPM)	Air Flow		Air Pressure		Noise (dBA)
							(CFM)	(m <sup>3</sup> /min)	(mmH <sub>2</sub> O)	(Inch H <sub>2</sub> O)	
*SDA17251B1Sx	◎	115	50 / 60	0.28 / 0.24	27 / 27	2800 / 3300	230 / 270	6.51 / 7.64	16.5 / 20.0	0.65 / 0.79	55 / 61
*SDA17251B2Sx	◎	230	50 / 60	0.11 / 0.12	24 / 27	2800 / 3300	230 / 270	6.51 / 7.64	16.5 / 20.0	0.65 / 0.79	55 / 61
SDA17251B1Hx	◎	115	50 / 60	0.25 / 0.23	27 / 27	2650 / 3050	210 / 250	5.94 / 7.08	14.0 / 15.5	0.55 / 0.61	53 / 59
SDA17251B2Hx	◎	230	50 / 60	0.11 / 0.11	26 / 26	2650 / 3050	210 / 250	5.94 / 7.08	14.0 / 15.5	0.55 / 0.61	53 / 59
*SDA17251B1Sx.U	◎	115	50 / 60	0.27 / 0.23	26 / 26	2800 / 3300	220 / 260	6.23 / 7.36	16.5 / 20.0	0.65 / 0.79	55 / 61
*SDA17251B2Sx.U	◎	230	50 / 60	0.10 / 0.11	23 / 26	2800 / 3300	220 / 260	6.23 / 7.36	16.5 / 20.0	0.65 / 0.79	55 / 61
SDA17251B1Hx.U	◎	115	50 / 60	0.25 / 0.21	27 / 25	2700 / 3100	210 / 250	5.94 / 7.08	14.0 / 15.5	0.55 / 0.61	53 / 59
SDA17251B2Hx.U	◎	230	50 / 60	0.11 / 0.12	26 / 27	2700 / 3100	210 / 250	5.94 / 7.08	14.0 / 15.5	0.55 / 0.61	53 / 59
SDA17251B1Mx.U	◎	115	50 / 60	0.12 / 0.15	14 / 17	2400 / 2350	174 / 174	4.92 / 4.92	6.6 / 5.2	0.26 / 0.20	51 / 51
SDA17251B2Mx.U	◎	230	50 / 60	0.07 / 0.10	16 / 19	2400 / 2350	174 / 174	4.92 / 4.92	6.6 / 5.2	0.26 / 0.20	51 / 51
SDA17251B1Lx.U	◎	115	50 / 60	0.07 / 0.07	8 / 9	1800 / 1700	135 / 123	3.82 / 3.48	3.3 / 2.9	0.13 / 0.11	47 / 45
SDA17251B2Lx.U	◎	230	50 / 60	0.04 / 0.05	10 / 11	1850 / 1700	135 / 123	3.82 / 3.48	3.4 / 2.9	0.13 / 0.11	47 / 45
SDA17251B28x.U	◎	280	50 / 60	0.11 / 0.11	27 / 26	2600 / 3000	200 / 230	5.66 / 6.51	12.0 / 11.0	0.47 / 0.43	52 / 58
SDA17251B3Hx.U	◎	380	50 / 60	0.06 / 0.06	22 / 23	2600 / 3000	200 / 230	5.66 / 6.51	12.0 / 11.0	0.47 / 0.43	52 / 58
SDA17251B4Hx.U	◎	440	50 / 60	0.08 / 0.07	29 / 27	2700 / 3100	210 / 240	5.94 / 6.79	13.5 / 14.5	0.53 / 0.57	53 / 59
*SDA17251B48x.U	◎	480	50 / 60	0.07 / 0.07	33 / 31	2600 / 3000	210 / 240	5.94 / 6.79	12.0 / 11.0	0.47 / 0.43	53 / 59
*SDA17251BDSx.U	◎	115	50 / 60	0.25 / 0.21	27 / 25	2700 / 3100	210 / 250	5.94 / 7.08	14.0 / 15.5	0.55 / 0.61	53 / 59
	◎	230	50 / 60	0.11 / 0.12	26 / 27	2700 / 3100	210 / 250	5.94 / 7.08	14.0 / 15.5	0.55 / 0.61	53 / 59
SDA17251B2SL.U(3ø)	◎	230	50 / 60	0.07 / 0.06	15 / 18	2800 / 3150	218 / 246	6.17 / 6.96	16.8 / 19.0	0.66 / 0.75	55 / 59
SDA17251B3HL.U(3ø)	◎	380	50 / 60	0.06 / 0.06	22 / 23	2600 / 3000	203 / 235	5.74 / 6.65	15.7 / 18.1	0.62 / 0.71	52 / 58
SDA17251B4HL.U(3ø)	◎	440	50 / 60	0.08 / 0.07	29 / 27	2700 / 3100	215 / 242	6.08 / 6.85	16.3 / 18.7	0.64 / 0.74	53 / 59
SDA17251B48L.U(3ø)	◎	480	50 / 60	0.06 / 0.05	26 / 25	2800 / 3300	222 / 260	6.28 / 7.36	17.1 / 20.0	0.67 / 0.79	55 / 61

Type X could be T (Terminals) or L (Lead Wire) ◎ : Ball ※ : Sleeve \* : Great performance

★如果您需要的轉速或電壓或功能不在這份清單上，請與我們業務聯繫 If you need another RPM or Voltage or Functions which one is not in the list, please contact us.

★產品詳細數據及功能請參閱承認書 Please see the approval sheet for more information . ★產品規格變更不另行通知 Specifications are subject to change without notice. A24