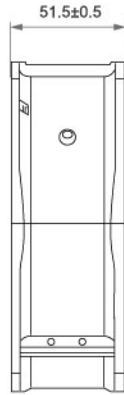
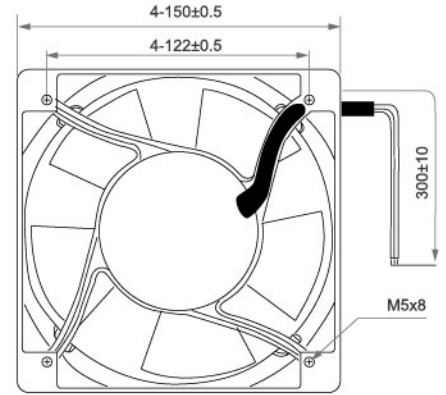


DIMENSIONS DRAWING UNIT : mm



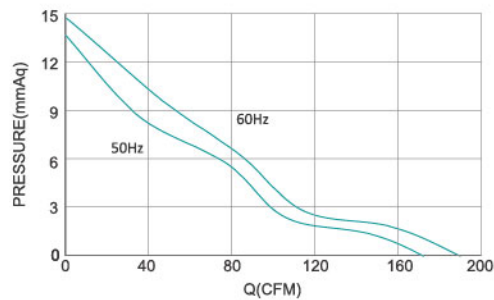
AIR FLOW



ROTATION

- Frame : Aluminum
外框材質：鋁框
- Impeller : Thermoplastic PBT UL 94-V0
扇葉材質：環保防火PBT
- Ingress Protection : Optional IP55
防護等級：可選擇 IP55
- Weight : 880g
風扇單體重量：880克

P&Q Curve At Rated Voltage

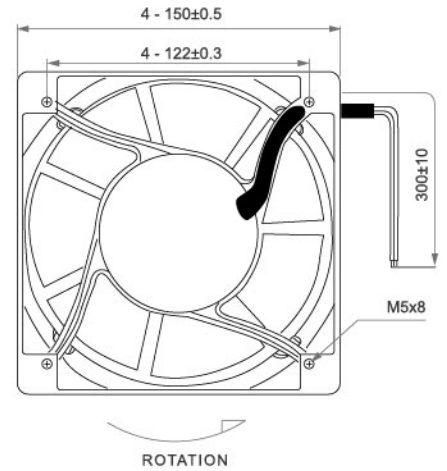
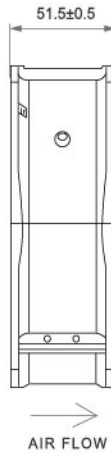


Model No.	Bearing Type	Voltage (VAC)	Frequency (Hz)	Current (A)	Power (W)	Speed (RPM)	Air Flow		Air Pressure		Noise (dBA)
							(CFM)	(m ³ /min)	(mmH ₂ O)	(Inch H ₂ O)	
SA15050B1Hx	◎	115	50 / 60	0.64 / 0.53	46 / 40	2700 / 3050	180 / 195	5.10 / 5.52	13.3 / 14.4	0.52 / 0.57	56 / 60
SA15050B1Mx	◎	115	60	0.40	30	2450	153	4.33	5.3	0.21	52
SA15050B1Lx	◎	115	60	0.39	30	2050	126	3.77	3.7	0.15	47
SA15050S1Hx	※	115	50 / 60	0.63 / 0.57	42 / 39	2700 / 2950	175 / 190	4.96 / 5.38	12.5 / 11.0	0.49 / 0.43	56 / 59
SA15050S1Mx	※	115	60	0.47	36	2600	175	4.96	7.0	0.28	53
SA15050S1Lx	※	115	60	0.45	35	2000	130	3.68	3.4	0.13	45
SA15050B2Hx	◎	220-240	50 / 60	0.31 / 0.26	42 / 37	2700 / 3000	178 / 190	5.04 / 5.38	13.3 / 12.1	0.52 / 0.48	56 / 60
SA15050B2Mx	◎	220-240	50	0.15	22	2450	155	4.39	8.0	0.32	52
SA15050B2Lx	◎	220-240	50	0.14	20	2050	133	3.77	4.0	0.16	47
SA15050S2Hx	※	220-240	50 / 60	0.31 / 0.27	42 / 39	2700 / 2900	175 / 186	4.96 / 5.27	13.0 / 11.0	0.51 / 0.43	56 / 59
SA15050S2Mx	※	220-240	50	0.17	25	2400	155	4.39	6.8	0.27	51
SA15050S2Lx	※	220-240	50	0.13	20	1950	130	3.68	2.7	0.11	45

Type X could be T (Terminals) or L (Lead Wire) ◎ : Ball ※ : Sleeve

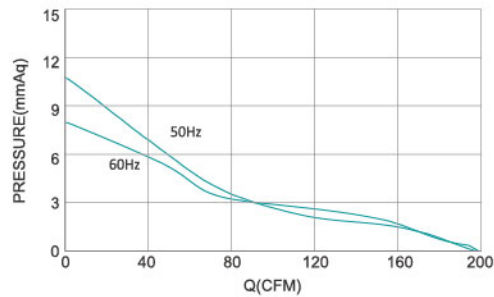
★如果您需要的轉速或電壓或功能不在這份清單上，請與我們業務聯繫 If you need another RPM or Voltage or Functions which one is not in the list, please contact us.

DIMENSIONS DRAWING UNIT : mm



- Frame : Aluminum
外框材質：鋁框
- Impeller : Thermoplastic PBT UL 94-V0
扇葉材質：環保防火PBT
- Ingress Protection : Optional IP55
防護等級：可選擇 IP55
- Weight : 880g
風扇單體重量：880克

P&Q Curve At Rated Voltage

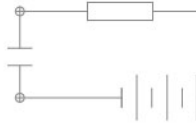


Model No.	Bearing Type	Voltage (VAC)	Frequency (Hz)	Current (A)	Power (W)	Speed (RPM)	Air Flow		Air Pressure		Noise (dBA)
							(CFM)	(m ³ /min)	(mmH ₂ O)	(Inch H ₂ O)	
SA15050B1Hx	◎	115	50 / 60	0.63 / 0.56	46 / 41	2700 / 3000	190 / 200	5.38 / 5.67	10.7 / 7.8	0.42 / 0.31	57 / 61
SA15050B1Mx	◎	115	60	0.43	32	2450	172	4.87	3.2	0.13	53
SA15050B1Lx	◎	115	60	0.38	29	2000	133	3.77	2.2	0.09	45
SA15050S1Hx	※	115	50 / 60	0.65 / 0.57	47 / 43	2700 / 2900	182 / 195	5.15 / 5.52	8.8 / 5.2	0.35 / 0.20	56 / 59
SA15050S1Mx	※	115	60	0.46	35	2500	170	4.82	2.8	0.11	53
SA15050S1Lx	※	115	60	0.43	32	1900	133	3.77	2.2	0.09	44
SA15050B2Hx	◎	220-240	50 / 60	0.31 / 0.26	42 / 37	2700 / 3000	187 / 200	5.30 / 5.67	9.5 / 7.0	0.37 / 0.28	57 / 61
SA15050B2Mx	◎	220-240	50	0.15	22	2450	162	4.60	4.1	0.16	53
SA15050B2Lx	◎	220-240	50	0.13	19	2150	150	4.25	2.6	0.10	49
SA15050S2Hx	※	220-240	50 / 60	0.31 / 0.27	42 / 39	2650 / 2900	183 / 195	5.19 / 5.52	9.5 / 5.2	0.37 / 0.20	56 / 59
SA15050S2Mx	※	220-240	50	0.17	26	2350	155	4.39	3.2	0.13	52
SA15050S2Lx	※	220-240	50	0.15	22	2000	140	3.97	2.0	0.08	46

Type X could be T (Terminals) or L (Lead Wire) ◎ : Ball ※ : Sleeve

★如果您需要的轉速或電壓或功能不在這份清單上，請與我們業務聯繫 If you need another RPM or Voltage or Functions which one is not in the list, please contact us.

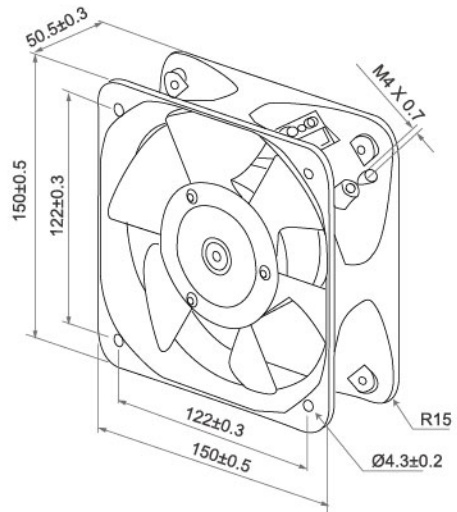
★產品詳細數據及功能請參閱承認書 Please see the approval sheet for more information . ★產品規格變更不另行通知 Specifications are subject to change without notice. ■ A19



AC Axial Fan
SDA15051 SERIES 150X150X51mm

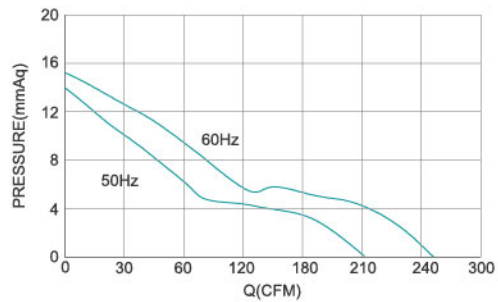


DIMENSIONS DRAWING UNIT : mm



- Frame : Aluminum
外框材質：鋁框
- Impeller : Metal or Thermoplastic PBT UL 94-V0
扇葉材質：金屬葉或環保防火PBT
- Ingress Protection : Optional IP54 or IP56 or IP68
防護等級：可選擇 IP54或IP56或IP68
- Weight : 920g
風扇單體重量：920克

P&Q Curve At Rated Voltage



Model No.	Bearing Type	Voltage (VAC)	Frequency (Hz)	Current (A)	Power (W)	Speed (RPM)	Air Flow (CFM) (m ³ /min)		Air Pressure (mmH ₂ O) (Inch H ₂ O)		Noise (dBA)
SDA15051B1Hx	◎	115	50 / 60	0.25 / 0.23	27 / 27	2650 / 3050	210 / 250	5.94 / 7.08	14.0 / 15.5	0.55 / 0.61	53 / 59
SDA15051B2Hx	◎	230	50 / 60	0.11 / 0.11	26 / 26	2650 / 3050	210 / 250	5.94 / 7.08	14.0 / 15.5	0.55 / 0.61	53 / 59
SDA15051B1Hx.U	◎	115	50 / 60	0.25 / 0.21	27 / 25	2700 / 3100	210 / 250	5.94 / 7.08	14.0 / 15.5	0.55 / 0.61	53 / 59
SDA15051B2Hx.U	◎	230	50 / 60	0.11 / 0.11	24 / 24	2700 / 3100	210 / 250	5.94 / 7.08	14.0 / 15.5	0.55 / 0.61	53 / 59

Type X could be T (Terminals) or L (Lead Wire) ◎ : Ball ※ : Sleeve

★如果您需要的轉速或電壓或功能不在這份清單上，請與我們業務聯繫 If you need another RPM or Voltage or Functions which one is not in the list, please contact us.

■ A20 ★產品詳細數據及功能請參閱承認書 Please see the approval sheet for more information . ★產品規格變更不另行通知 Specifications are subject to change without notice.