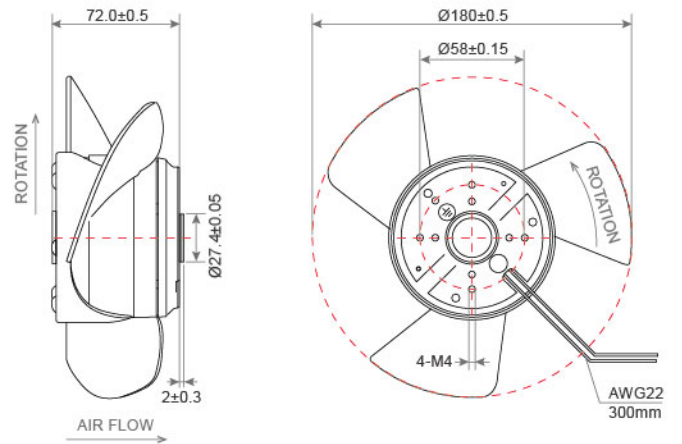


AC Axial Fan
SDC18072 SERIES Ø180X72mm

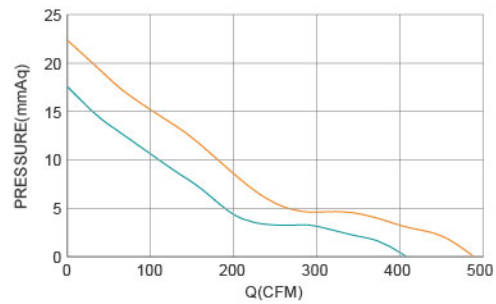


DIMENSIONS DRAWING UNIT : mm



- Frame : Aluminum
外框材質：鋁框
- Impeller : Steel
扇葉材質：金屬葉
- Ingress Protection : IP54
防護等級：IP54
- Weight : 2000g
風扇單體重量：2000克

P&Q Curve At Rated Voltage



Model No.	Bearing Type	Voltage (VAC)	Frequency (Hz)	Current (A)	Power (W)	Speed (RPM)	Air Flow (CFM)	Air Flow (m ³ /min)	Air Pressure (mmH ₂ O)	Air Pressure (Inch H ₂ O)	Noise (dBA)
SDA18072B2Sx	◎	230	50 / 60	0.17 / 0.26	39 / 58	2800 / 3300	410 / 490	11.6 / 13.9	18.0 / 22.5	0.71 / 0.87	60 / 63