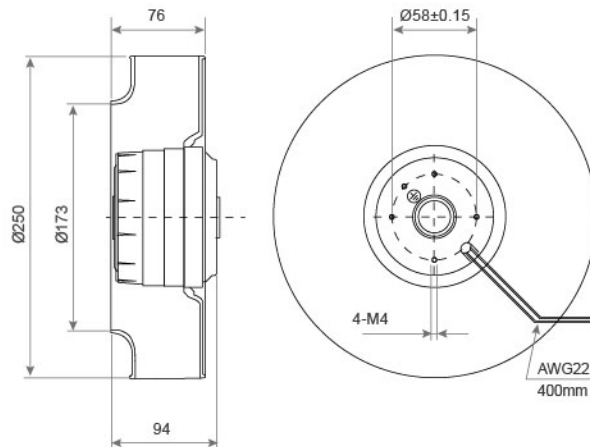
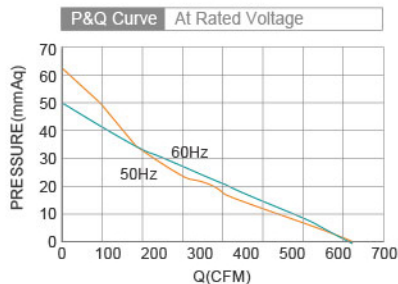


# AC Centrifugal Fan SDC25094 SERIES $\varnothing 250 \times 94 \text{mm}$

DIMENSIONS DRAWING UNIT : mm



- Material : Thermoplastic PBT UL94-V0  
材質：環保防火PBT
- Bearing System : Two Ball Bearing  
軸承結構：滾珠軸承
- Protection Class : IP54  
防護等級：IP54
- Weight : 2090g  
風扇單體重量：2090克



| Model No.                      | Voltage (VAC) | Frequency (Hz) | Current (A) | Power (W) | Speed (RPM) | Air Flow (CFM) | Air Flow (m <sup>3</sup> /min) | Air Pressure (mmH <sub>2</sub> O) | Air Pressure (Inch H <sub>2</sub> O) | Noise (dBA) |
|--------------------------------|---------------|----------------|-------------|-----------|-------------|----------------|--------------------------------|-----------------------------------|--------------------------------------|-------------|
| SDC25094B1HL                   | 115           | 50 / 60        | 0.90 / 1.23 | 103 / 142 | 2600 / 2700 | 619 / 648      | 17.52 / 18.34                  | 57 / 69                           | 2.25 / 2.72                          | 76 / 78     |
| SDC25094B2HL                   | 230           | 50 / 60        | 0.48 / 0.66 | 106 / 148 | 2600 / 2700 | 619 / 648      | 17.52 / 18.34                  | 57 / 69                           | 2.25 / 2.72                          | 76 / 78     |
| SDC25094B3HL(3 $\varnothing$ ) | 380           | 50 / 60        | 0.27 / 0.29 | 120 / 162 | 2600 / 2800 | 619 / 672      | 17.52 / 19.02                  | 57 / 72                           | 2.25 / 2.84                          | 76 / 78     |
| SDC25094B4HL(3 $\varnothing$ ) | 440           | 50 / 60        | 0.34 / 0.30 | 141 / 180 | 2700 / 3000 | 648 / 717      | 18.34 / 20.29                  | 69 / 77                           | 2.72 / 3.03                          | 77 / 79     |

**P** Three Speed \* High Performance

★如果您需要的轉速或電壓或功能不在這份清單上，請與我們業務聯繫 If you need another RPM or Voltage or Functions which one is not in the list, please contact us.

★產品詳細數據及功能請參閱承認書 Please see the approval sheet for more information . ★產品規格變更不另行通知 Specifications are subject to change without notice.