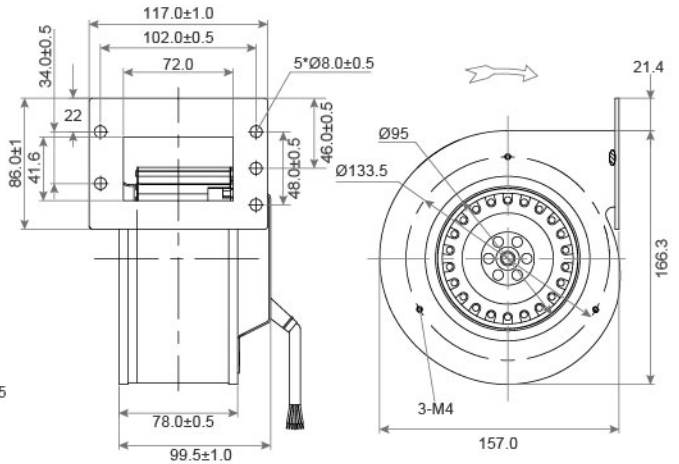
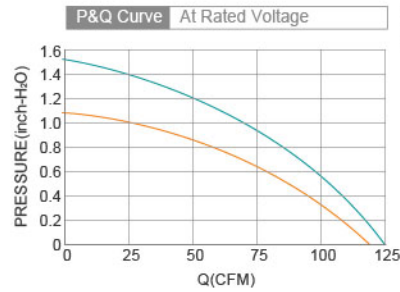




- Material : Galvanized sheet steel  
材質：鍍鋅板材
- Bearing System : Two Ball Bearing  
軸承結構：滾珠軸承
- Protection Class : IP44  
防護等級：IP44



Model No.	Voltage (VAC)	Frequency (Hz)	Current (A)	Power (W)	Speed (RPM)	Capacitor (µF)	Air Flow (CFM)	Air Flow (m <sup>3</sup> /h)	Temperature Min / Max(°C)	Noise (dBA)
SAF2E120-060W-A2	220 / 230	50 / 60	0.27 / 0.33	58 / 73	2400 / 2500	1.5	120 / 124	200 / 210	-30°C ~ +60°C	51 / 53