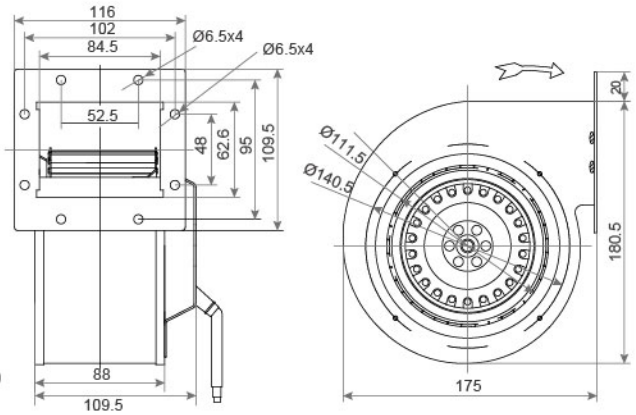
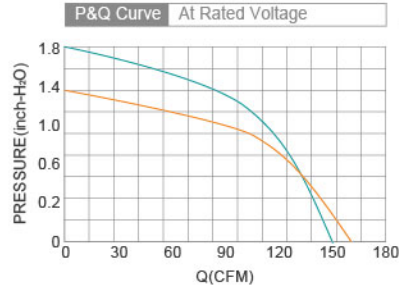




- Material : Galvanized sheet steel
材質：鍍鋅板材
- Bearing System : Two Ball Bearing
軸承結構：滾珠軸承
- Protection Class : IP44
防護等級：IP44



Model No.	Voltage (VAC)	Frequency (Hz)	Current (A)	Power (W)	Speed (RPM)	Capacitor (µF)	Air Flow (CFM)	Air Flow (m ³ /h)	Temperature Min / Max(°C)	Noise (dBA)
SAF2E133-073W-A2	220 / 230	50 / 60	0.37 / 0.43	83 / 95	1850 / 1750	2.0	170 / 160	290 / 270	-30°C ~ +60°C	61 / 63