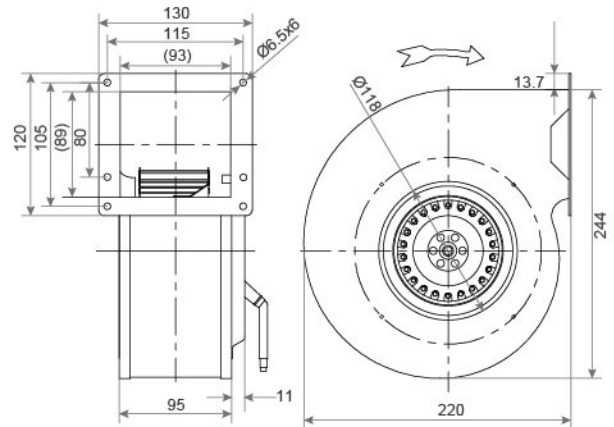
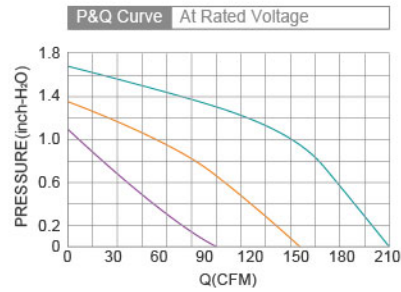




- Impeller : PA66  
材質：塑料PA66
- Bearing System : Two Ball Bearing  
軸承結構：滾珠軸承
- Protection Class : IP44  
防護等級：IP44



Model No.	Voltage (VAC)	Frequency (Hz)	Current (A)	Power (W)	Speed (RPM)	Capacitor (µF)	Air Flow (CFM)	(m <sup>3</sup> /h)	Temperature Min / Max(°C)	Noise (dBA)
SAF2E140-060W-T2	220 / 230	50	0.40	90	1400	2.0	211	360	-30°C ~ +60°C	52
SAF2E140-060W-T2	220 / 230	50	0.30	60	850	2.0	117	200	-30°C ~ +60°C	40
SAF2E140-060W-T2	220 / 230	50	0.25	50	600	2.0	88	150	-30°C ~ +60°C	32