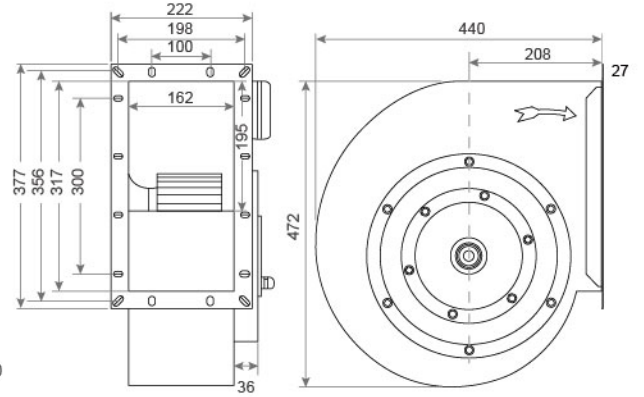
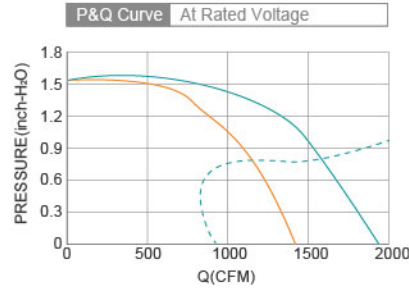




- Material : Galvanized sheet steel
材質：鍍鋅板材
- Bearing System : Two Ball Bearing
軸承結構：滾珠軸承
- Protection Class : IP54
防護等級：IP54



Model No.	Voltage (VAC)	Frequency (Hz)	Current (A)	Power (W)	Speed (RPM)	Capacitor (μF)	Air Flow (CFM)	Air Flow (m ³ /h)	Temperature Min / Max(°C)	Noise (dBA)
SAF4D250-102W-A3	380 / 400	50	1.6	850	1350	-	1941	3300	-30°C ~ +60°C	80
SAF4D250-102W-A3	380 / 400	50	1.2	630	1300	-	1411	2400	-30°C ~ +60°C	74