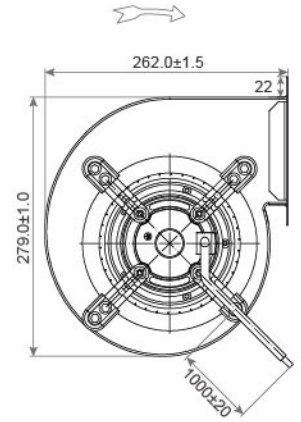
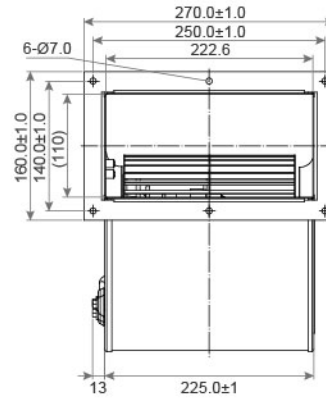
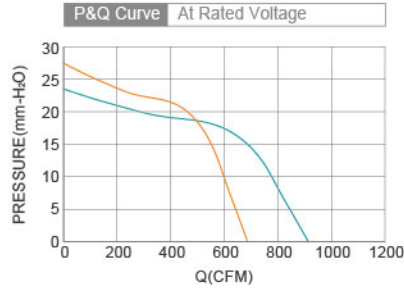


AC Forward Centrifugal Fan SAF4E180-185 SERIES 262X279X225mm

DIMENSIONS DRAWING UNIT : mm



- Material : Galvanized sheet steel
材質：鍍鋅板材
- Bearing System : Two Ball Bearing
軸承結構：滾珠軸承
- Protection Class : IP44
防護等級：IP44



Model No.	Voltage (VAC)	Frequency (Hz)	Current (A)	Power (W)	Speed (RPM)	Capacitor (µF)	Air Flow (CFM)	Air Flow (m ³ /h)	Temperature Min / Max(°C)	Noise (dBA)
SAF4E180-185S-A2	220	50	0.92	200	1250	-	688	1170	-30°C ~ +60°C	63
SAF4D180-185S-A3	380	50	0.60	250	1250	4.0	917	1560	-30°C ~ +60°C	66