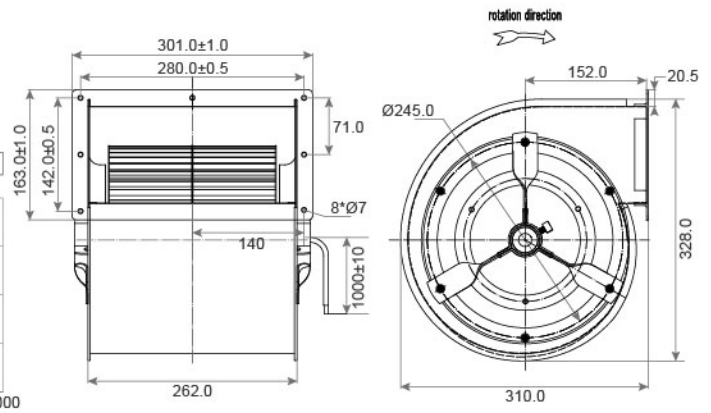
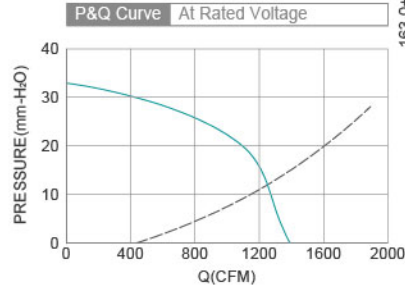


AC Forward Centrifugal Fan SAF4E200-210 SERIES 310X328X262mm

DIMENSIONS DRAWING UNIT : mm



- Material : SGCC
材質 : SGCC鍍鋅板材
- Bearing System : Two Ball Bearing
軸承結構 : 滾珠軸承
- Protection Class : IP54
防護等級 : IP54



Model No.	Voltage (VAC)	Frequency (Hz)	Current (A)	Power (W)	Speed (RPM)	Capacitor (μF)	Air Flow (CFM)	Air Flow (m ³ /h)	Temperature Min / Max(°C)	Noise (dBA)
SAF4E200-210S-A2	220	50	3.1	600	1300	10.0	1252	2130	-30°C ~ +60°C	75
SAF4D200-210S-A3	380	50	1.3	600	1300	-	1323	2250	-30°C ~ +60°C	76