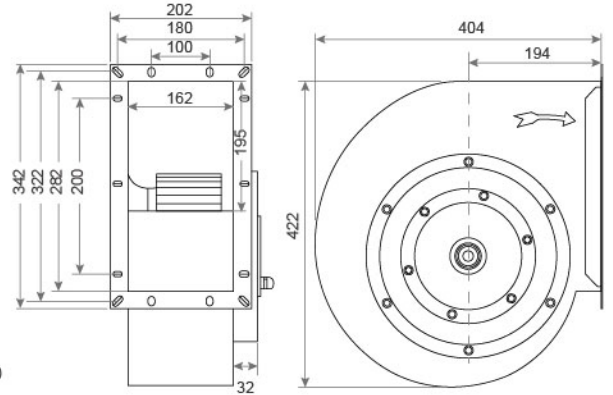
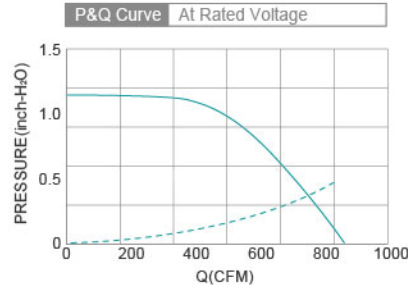




- Impeller : Galvanized sheet steel
材質：鍍鋅板材
- Bearing System : Two Ball Bearing
軸承結構：滾珠軸承
- Protection Class : IP54
防護等級：IP54



| Model No. | Voltage (VAC) | Frequency (Hz) | Current (A) | Power (W) | Speed (RPM) | Capacitor (μF) | Air Flow (CFM) | Air Flow (m ³ /h) | Temperature Min / Max(°C) | Noise (dBA) |
|------------------|---------------|----------------|-------------|-----------|-------------|----------------|----------------|------------------------------|---------------------------|-------------|
| SAF4E225-092W-A2 | 220 / 230 | 50 | 1.9 | 400 | 1320 | 12.0 | 823 | 1400 | -30°C ~ +60°C | 73 |
| SAF4D225-092W-A3 | 380 / 400 | 50 | 1.1 | 400 | 1390 | - | 823 | 1400 | -30°C ~ +60°C | 73 |