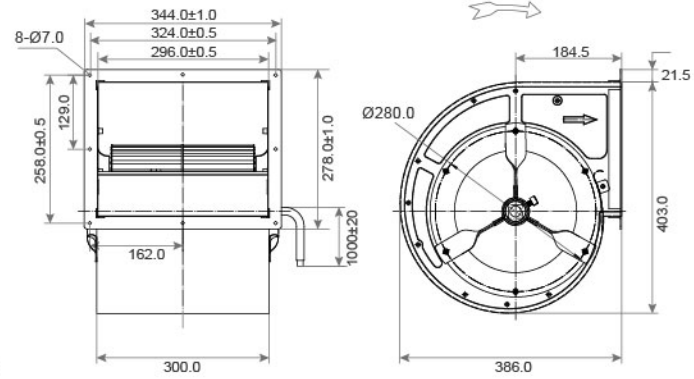
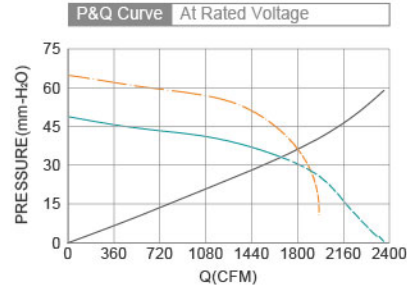


# AC Forward Centrifugal Fan SAF4E250-250 SERIES 386X403X300mm

DIMENSIONS DRAWING UNIT : mm



- Material : SGCC  
材質 : SGCC鍍鋅板材
- Bearing System : Two Ball Bearing  
軸承結構 : 滾珠軸承
- Protection Class : IP54  
防護等級 : IP54



Model No.	Voltage (VAC)	Frequency (Hz)	Current (A)	Power (W)	Speed (RPM)	Air Flow (CFM)	Air Flow (m <sup>3</sup> /h)	Temperature Min / Max(°C)	Noise (dBA)
SAF4D250-250S-A2	220	50 / 60	4.35 / 6.00	900 / 1120	1330 / 1450	2323 / 1882	3950 / 3200	-30°C ~ +60°C	77 / 76
SAF4D250-250S-A3	380	50 / 60	1.75 / 2.25	880 / 1250	1300 / 1400	2529 / 2558	4300 / 4350	-30°C ~ +60°C	79 / 80