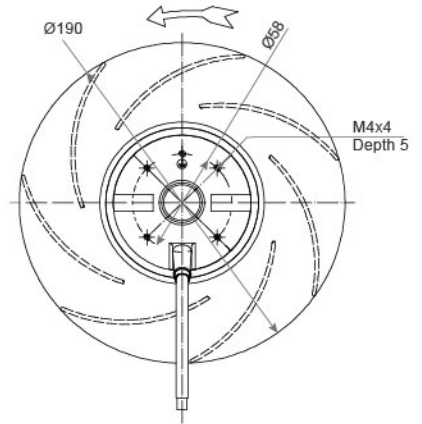
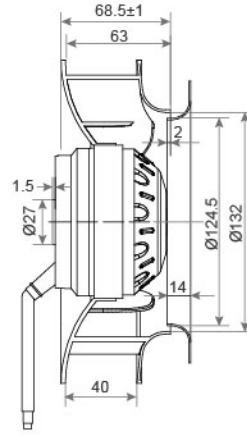
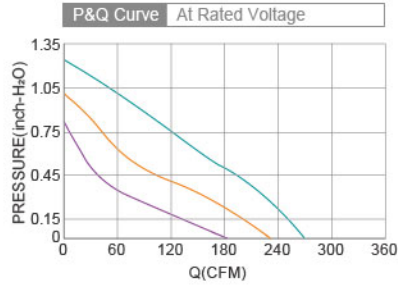


AC Backward Centrifugal Fan SAB2E190-063 SERIES $\phi 190 \times 68.5 \text{mm}$

- Material : Plastic PA66
材質：塑料 PA66
- Bearing System : Two Ball Bearing
軸承結構：滾珠軸承
- Protection Class : IP44
防護等級：IP44

DIMENSIONS DRAWING UNIT : mm



Model No.	Voltage (VAC)	Frequency (HZ)	Current (A)	Power (W)	Speed (RPM)	Capacitor (μF)	Air Flow (CFM)	Air Flow (m^3/min)	Temperature Min / Max($^{\circ}\text{C}$)	Noise (dBA)
SAB2E190-063A-A2	220 / 230	50 / 60	0.27 / 0.35	60 / 76	2500 / 2700	2.0	317 / 350	9.0 / 10.0	-30 $^{\circ}\text{C}$ ~ +60 $^{\circ}\text{C}$	65 / 68
SAB2E190-063A-T2	220 / 230	50	0.28	60	2500	2.0	278	8.0	-30 $^{\circ}\text{C}$ ~ +60 $^{\circ}\text{C}$	65
SAB2E190-063A-T2	220 / 230	50	0.23	48	2000	2.0	235	7.1	-30 $^{\circ}\text{C}$ ~ +60 $^{\circ}\text{C}$	60
SAB2E190-063A-T2	220 / 230	50	0.22	45	1650	2.0	195	5.5	-30 $^{\circ}\text{C}$ ~ +60 $^{\circ}\text{C}$	54

P Three Speed * High Performance

★如果您需要的轉速或電壓或功能不在這份清單上，請與我們業務聯繫 If you need another RPM or Voltage or Functions which one is not in the list, please contact us.

★產品詳細數據及功能請參閱承認書 Please see the approval sheet for more information . ★產品規格變更不另行通知 Specifications are subject to change without notice.