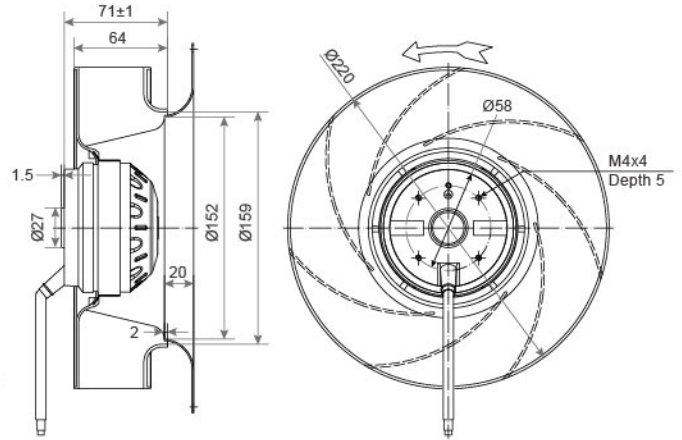
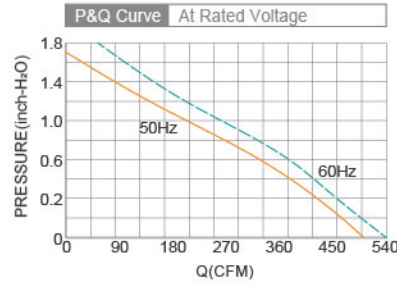


AC Backward Centrifugal Fan SAB2E220-064 SERIES $\varnothing 220 \times 71 \text{mm}$

- Material : Plastic PA66
材質：塑料 PA66
- Bearing System : Two Ball Bearing
軸承結構：滾珠軸承
- Protection Class : IP44
防護等級：IP44

DIMENSIONS DRAWING UNIT : mm



Model No.	Voltage (VAC)	Frequency (HZ)	Current (A)	Power (W)	Speed (RPM)	Capacitor (μF)	Air Flow (CFM)	Air Flow (m^3/min)	Temperature Min / Max($^{\circ}\text{C}$)	Noise (dBA)
SAB2E220-064A-A2	220 / 230	50 / 60	0.23 / 0.19	40 / 41	1420 / 1650	1.5	323 / 359	9.1 / 10.2	-30 $^{\circ}\text{C}$ ~ +60 $^{\circ}\text{C}$	52 / 58
SAB2E220-064A-A2	220 / 230	50 / 60	0.41 / 0.46	90 / 100	2500 / 2700	2.5	535 / 570	15.1 / 16.1	-30 $^{\circ}\text{C}$ ~ +60 $^{\circ}\text{C}$	70 / 73
SAB2E220-064A-T2	220 / 230	50	0.44	95	2500	2.5	470	800	-30 $^{\circ}\text{C}$ ~ +60 $^{\circ}\text{C}$	70
SAB2E220-064A-T2	220 / 230	50	0.40	90	2300	2.5	441	750	-30 $^{\circ}\text{C}$ ~ +60 $^{\circ}\text{C}$	67
SAB2E220-064A-T2	220 / 230	50	0.40	88	2000	2.5	394	670	-30 $^{\circ}\text{C}$ ~ +60 $^{\circ}\text{C}$	64
SAB2E220-064A-A3	380 / 400	50 / 60	0.08 / 0.10	38 / 41	1400 / 1650	-	323 / 359	9.1 / 10.2	-30 $^{\circ}\text{C}$ ~ +60 $^{\circ}\text{C}$	52 / 58
SAB2E220-064A-A3	380 / 400	50 / 60	0.17 / 0.20	85 / 100	2500 / 2700	-	535 / 570	15.1 / 16.1	-30 $^{\circ}\text{C}$ ~ +60 $^{\circ}\text{C}$	70 / 73