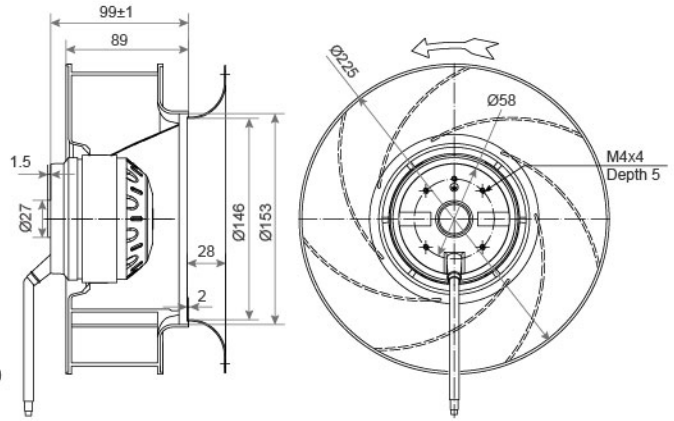
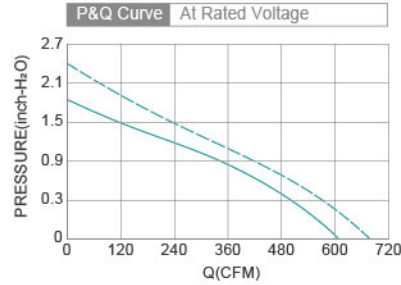


# AC Backward Centrifugal Fan SAB2E225-089 SERIES $\phi 225 \times 99 \text{mm}$

- Material : Plastic PA66  
材質：塑料 PA66
- Bearing System : Two Ball Bearing  
軸承結構：滾珠軸承
- Protection Class : IP44  
防護等級：IP44

DIMENSIONS DRAWING UNIT : mm



Model No.	Voltage (VAC)	Frequency (HZ)	Current (A)	Power (W)	Speed (RPM)	Capacitor ( $\mu\text{F}$ )	Air Flow (CFM)	Air Flow ( $\text{m}^3/\text{min}$ )	Temperature Min / Max( $^{\circ}\text{C}$ )	Noise (dBA)
SAB2E225-089A-A2	220 / 230	50 / 60	0.21 / 0.20	45 / 47	1420 / 1650	1.5	353 / 406	10.0 / 11.5	-30 $^{\circ}\text{C}$ ~ +60 $^{\circ}\text{C}$	54 / 60
SAB2E225-089A-A2	220 / 230	50 / 60	0.60 / 0.90	135/180	2600 / 2900	4	647 / 735	18.3 / 20.8	-30 $^{\circ}\text{C}$ ~ +60 $^{\circ}\text{C}$	74 / 76
SAB2E225-089A-A3	380 / 400	50 / 60	0.13 / 0.13	45 / 47	1420 / 1650	-	353 / 406	10.0 / 11.5	-30 $^{\circ}\text{C}$ ~ +60 $^{\circ}\text{C}$	54 / 60
SAB2E225-089A-A3	380 / 400	50 / 60	0.23 / 0.28	135/180	2600 / 2900	-	647 / 735	18.3 / 20.8	-30 $^{\circ}\text{C}$ ~ +60 $^{\circ}\text{C}$	74 / 76
SAB2E225-089A-T2	220 / 230	50	.0.60	125	2630	4	647	18.3	-30 $^{\circ}\text{C}$ ~ +60 $^{\circ}\text{C}$	74
SAB2E225-089A-T2	220 / 230	50	0.54	120	2500	4	615	17.4	-30 $^{\circ}\text{C}$ ~ +60 $^{\circ}\text{C}$	70
SAB2E225-089A-T2	220 / 230	50	0.52	115	2290	4	563	15.9	-30 $^{\circ}\text{C}$ ~ +60 $^{\circ}\text{C}$	66