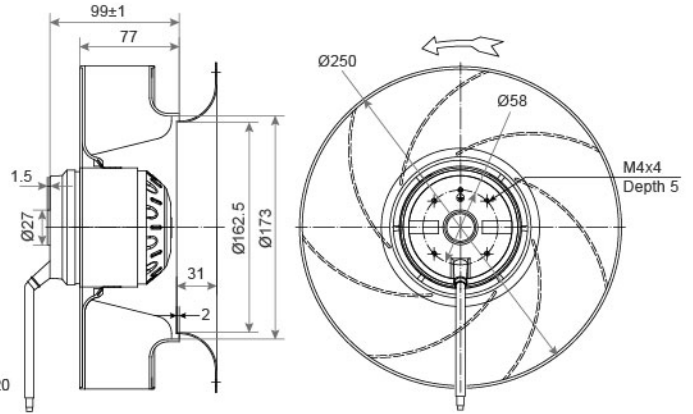
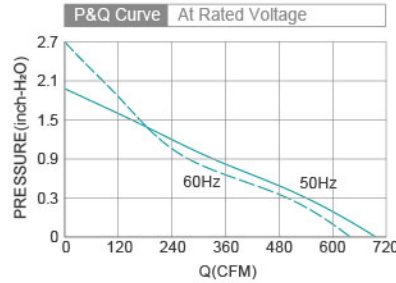


AC Backward Centrifugal Fan SAB2E250-077 SERIES $\varnothing 250 \times 99 \text{mm}$



- Material : Plastic PA66
材質：塑料 PA66
- Bearing System : Two Ball Bearing
軸承結構：滾珠軸承
- Protection Class : IP44
防護等級：IP44

DIMENSIONS DRAWING UNIT : mm



Model No.	Voltage (VAC)	Frequency (HZ)	Current (A)	Power (W)	Speed (RPM)	Capacitor (μF)	Air Flow (CFM)	Air Flow (m^3/min)	Temperature Min / Max($^{\circ}\text{C}$)	Noise (dBA)
SAB2E250-077A-A2	220 / 230	50 / 60	0.60 / 0.90	135 / 190	2450 / 2600	4	735 / 676	20.8 / 19.2	-30 $^{\circ}\text{C}$ ~ +60 $^{\circ}\text{C}$	74 / 76
SAB4E250-077A-A2	220 / 230	50 / 60	0.28 / 0.28	53 / 58	1400 / 1600	2	400 / 470	11.4 / 13.3	-30 $^{\circ}\text{C}$ ~ +60 $^{\circ}\text{C}$	61 / 64
SAB2E250-077A-A3	380 / 400	50 / 60	0.32 / 0.38	160 / 185	2450 / 2600	-	735 / 676	20.8 / 19.2	-30 $^{\circ}\text{C}$ ~ +60 $^{\circ}\text{C}$	74 / 76
SAB4E250-077A-A3	380 / 400	50 / 60	0.15 / 0.16	53 / 58	1400 / 1600	-	400 / 470	11.4 / 13.3	-30 $^{\circ}\text{C}$ ~ +60 $^{\circ}\text{C}$	61 / 64
SAB2E250-077A-T2	220 / 230	50	0.62	130	2650	4	676	19.16	-30 $^{\circ}\text{C}$ ~ +60 $^{\circ}\text{C}$	76
SAB2E250-077A-T2	220 / 230	50	0.58	125	2400	4	641	18.14	-30 $^{\circ}\text{C}$ ~ +60 $^{\circ}\text{C}$	70
SAB2E250-077A-T2	220 / 230	50	0.56	120	2150	4	588	16.64	-30 $^{\circ}\text{C}$ ~ +60 $^{\circ}\text{C}$	65

P Three Speed * High Performance

★如果您需要的轉速或電壓或功能不在這份清單上，請與我們業務聯繫 If you need another RPM or Voltage or Functions which one is not in the list, please contact us.

★產品詳細數據及功能請參閱承認書 Please see the approval sheet for more information . ★產品規格變更不另行通知 Specifications are subject to change without notice.