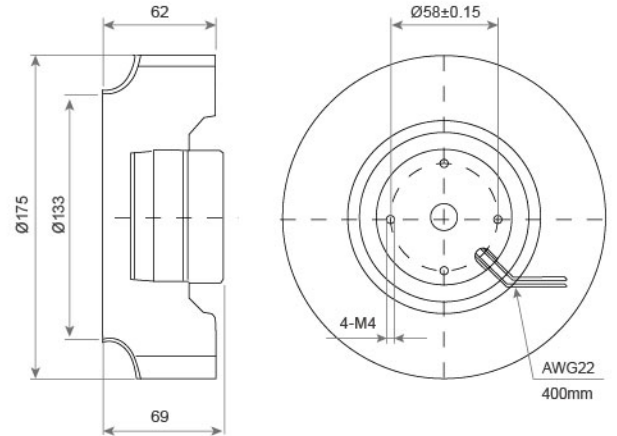
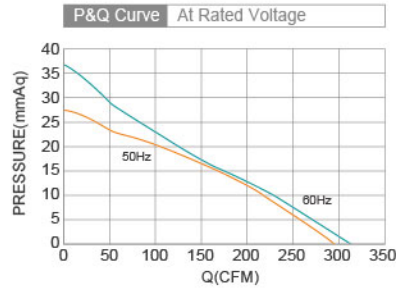


# AC Backward Centrifugal Fan SDC17569 SERIES $\phi 175 \times 69 \text{mm}$

- Material : Thermoplastic PBT UL94-V0  
材質：環保防火PBT
- Bearing System : Two Ball Bearing  
軸承結構：滾珠軸承
- Protection Class : IP54  
防護等級：IP54
- Weight : 870g  
風扇單體重量：870克

DIMENSIONS DRAWING UNIT : mm



Model No.	Voltage (VAC)	Frequency (Hz)	Current (A)	Power (W)	Speed (RPM)	Air Flow (CFM)	Air Flow (m <sup>3</sup> /min)	Air Pressure (mmH <sub>2</sub> O)	Air Pressure (Inch H <sub>2</sub> O)	Noise (dBA)
SDC17569B1HL	115	50 / 60	0.48 / 0.54	53 / 63	2600 / 2900	294 / 313	8.32 / 8.86	28 / 37	1.10 / 1.46	66 / 68
SDC17569B2HL	230	50 / 60	0.22 / 0.28	52 / 64	2600 / 2900	294 / 313	8.32 / 8.86	28 / 37	1.10 / 1.46	66 / 68