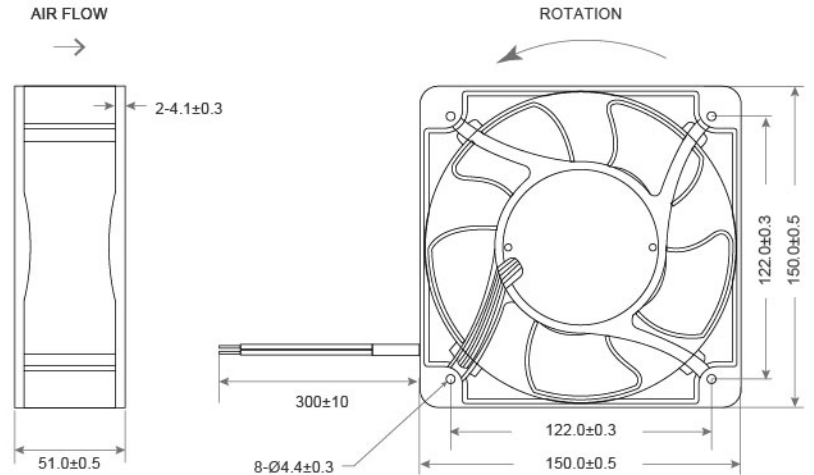


DC Axial Fan TRS15051 SERIES 150X150X51mm

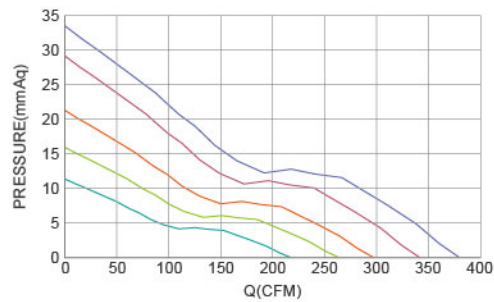


DIMENSIONS DRAWING UNIT : mm



- Frame : Aluminum
外框材質：鋁框
- Impeller : Thermoplastic PBT UL94-V0
扇葉材質：環保防火PBT
- Bearing : ※Sleeve · ★WRB · ◎Two Ball Bearing
軸承：※含油 · ★WRB · ◎滾珠軸承
- Unit Weight : 760g
風扇單體重量：760克

P&Q Curve At Rated Voltage

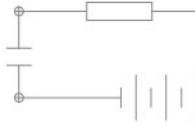


Model No.	Bearing Type	Voltage (VDC)	Current (A)	Power (W)	Speed (RPM)	Air Flow (CFM)	Air Flow (m ³ /min)	Air Pressure (mmH ₂ O)	Air Pressure (Inch H ₂ O)	Noise (dBA)
TRS1551x12M	※★◎	12 (7.0~14.0)	0.88	10.56	3000	224.71	6.36	12.07	0.48	52.3
TRS1551x12H	※★◎	12 (7.0~14.0)	1.22	14.64	3500	262.17	7.42	16.43	0.65	56.6
TRS1551x12VH	※★◎	12 (7.0~14.0)	2.42	29.04	4000	299.62	8.48	21.46	0.84	60.5
TRS1551x24M	※★◎	24 (15.0~27.0)	0.50	12.00	3000	224.71	6.36	12.07	0.48	52.3
TRS1551x24H	※★◎	24 (15.0~27.0)	0.65	15.60	3500	262.17	7.42	16.43	0.65	56.6
TRS1551x24VH	※★◎	24 (15.0~27.0)	1.02	24.48	4000	299.62	8.48	21.46	0.84	60.5
TRS1551x24SH	※★◎	24 (15.0~27.0)	1.86	44.64	4500	344.56	9.74	28.37	1.11	62.3
TRS1551x24UH	※★◎	24 (15.0~27.0)	2.20	52.80	5000	374.52	10.59	33.53	1.32	66.8
TRS1551x48M	※★◎	48 (35.0~58.0)	0.29	13.92	3000	224.71	6.36	12.07	0.48	52.3
TRS1551x48H	※★◎	48 (35.0~58.0)	0.44	21.12	3500	262.17	7.42	16.43	0.65	56.6
TRS1551x48VH	※★◎	48 (35.0~58.0)	0.60	28.80	4000	299.62	8.48	21.46	0.84	60.5
TRS1551x48SH	※★◎	48 (35.0~58.0)	0.93	44.64	4500	344.56	9.74	28.37	1.11	62.3
TRS1551x48UH	※★◎	48 (35.0~58.0)	1.10	52.80	5000	374.52	10.59	33.53	1.32	66.8

◎ Bearing System ※ : Sleeve ★ : WRB ◎ : Ball

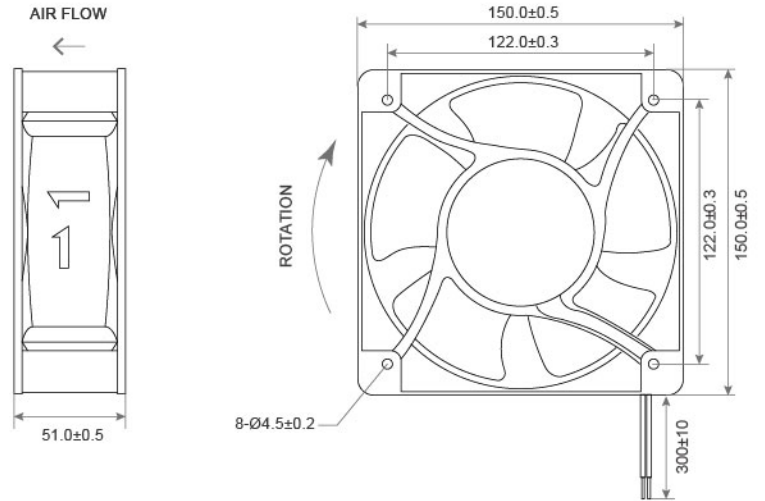
★如果您需要的轉速或電壓或功能不在這份清單上，請與我們業務聯繫 Please contact us, if the SPEC you need is not in the list.

■ A113★產品詳細數據及功能請參閱承認書 Please see the approval sheet for more information . ★產品規格變更不另行通知 Specifications are subject to change without notice.



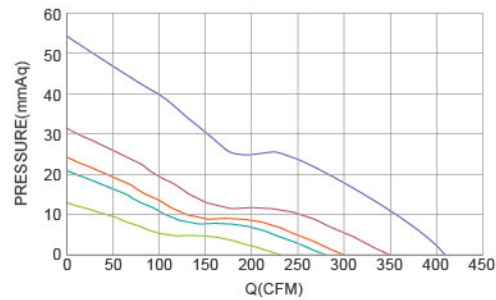
DC Axial Fan TRF15051 A SERIES 150X150X51mm

DIMENSIONS DRAWING UNIT : mm



- Frame : Aluminum
外框材質：鋁框
- Impeller : Thermoplastic PBT UL94-V0
扇葉材質：環保防火PBT
- Bearing : ※Sleeve · ★WRB · ◎Two Ball Bearing
軸承：※含油 · ★WRB · ◎滾珠軸承
- Unit Weight : 700g
風扇單體重量：700克

P&Q Curve At Rated Voltage



Model No.	Bearing Type	Voltage (VDC)	Current (A)	Power (W)	Speed (RPM)	Air Flow (CFM)	Air Flow (m ³ /min)	Air Pressure (mmH ₂ O)	Air Pressure (Inch H ₂ O)	Noise (dBA)
TRF1551x12D	※◎★	12 (8.5-13.5)	0.50	6.0	2000	148	4.2	6.88	0.27	41.5
TRF1551x12L	※◎★	12 (8.5-13.5)	0.70	8.4	2500	180	5.1	9.65	0.38	47.0
TRF1551x12M	※◎★	12 (8.5-13.5)	1.20	14.4	3050	226	6.4	13.99	0.55	52.0
TRF1551x12H	※◎★	12 (8.5-13.5)	2.30	27.6	3800	282	8.0	21.34	0.84	60.0
TRF1551x12VH	※◎★	12 (8.5-13.5)	2.90	34.8	4100	300	8.5	24.79	0.98	62.0
TRF1551x12SH	※◎★	12 (8.5-13.5)	3.40	49.8	4800	350	9.9	31.42	1.28	66.0
TRF1551x12UH	※◎★	12 (8.5-13.5)	6.40	76.8	6500	410	11.6	54.86	2.16	71.0
TRF1551x24D	※◎★	24 (14.5-27.5)	0.25	6.0	2000	148	4.2	6.88	0.27	41.5
TRF1551x24L	※◎★	24 (14.5-27.5)	0.35	8.4	2500	180	5.1	9.65	0.38	47.0
TRF1551x24M	※◎★	24 (14.5-27.5)	0.60	14.4	3050	226	6.4	13.99	0.55	52.0
TRF1551x24H	※◎★	24 (14.5-27.5)	1.15	27.6	3800	282	8.0	21.34	0.84	60.0
TRF1551x24VH	※◎★	24 (14.5-27.5)	1.45	34.8	4100	300	8.5	24.79	0.98	62.0
TRF1551x24SH	※◎★	24 (14.5-27.5)	1.70	49.8	4800	350	9.9	31.42	1.28	66.0
TRF1551x24UH	※◎★	24 (14.5-27.5)	3.20	76.8	6500	410	11.6	54.86	2.16	71.0
TRF1551x48D	※◎★	48 (29.0-55.0)	0.13	6.0	2000	148	4.2	6.88	0.27	41.5
TRF1551x48L	※◎★	48 (29.0-55.0)	0.18	8.4	2500	180	5.1	9.65	0.38	47.0
TRF1551x48M	※◎★	48 (29.0-55.0)	0.30	14.4	3050	226	6.4	13.99	0.55	52.0
TRF1551x48H	※◎★	48 (29.0-55.0)	0.58	27.6	3800	282	8.0	21.34	0.84	60.0
TRF1551x48VH	※◎★	48 (29.0-55.0)	0.73	34.8	4100	300	8.5	24.79	0.98	62.0
TRF1551x48SH	※◎★	48 (29.0-55.0)	1.04	49.8	4800	350	9.9	31.42	1.28	66.0
TRF1551x48UH	※◎★	48 (29.0-55.0)	1.60	76.8	6500	410	11.6	54.86	2.16	71.0

◎ Bearing System ※ : Sleeve ★ : WRB ◎ : Ball

★如果您需要的轉速或電壓或功能不在這份清單上，請與我們業務聯繫 Please contact us, if the SPEC you need is not in the list.

★產品詳細數據及功能請參閱承認書 Please see the approval sheet for more information . ★產品規格變更不另行通知 Specifications are subject to change without notice. A114