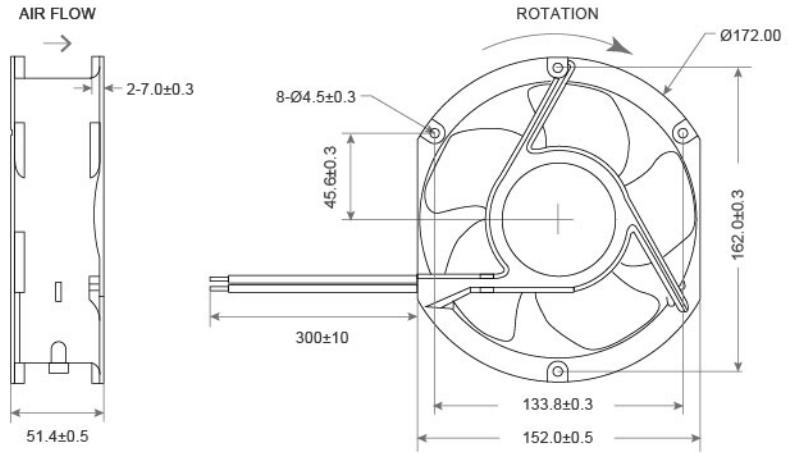


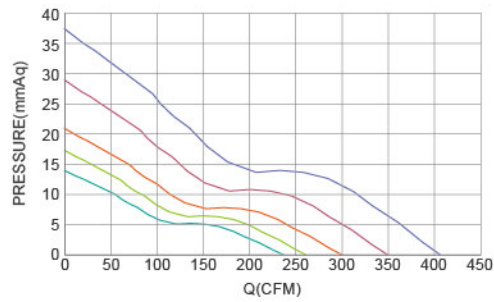
DC Axial Fan TRS17251 SERIES 172X150X51mm

DIMENSIONS DRAWING UNIT : mm



- Frame : Aluminum
外框材質：鋁框
- Impeller : Thermoplastic PBT UL94-V0
扇葉材質：環保防火PBT
- Bearing : ※Sleeve · ★WRB · ◎Two Ball Bearing
軸承：※含油 · ★WRB · ◎滾珠軸承
- Unit Weight : 760g
風扇單體重量：760克

P&Q Curve At Rated Voltage

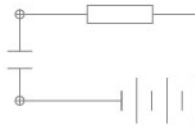


Model No.	Bearing Type	Voltage (VDC)	Current (A)	Power (W)	Speed (RPM)	Air Flow (CFM)	Air Flow (m ³ /min)	Air Pressure (mmH ₂ O)	Air Pressure (Inch H ₂ O)	Noise (dBA)
TRS1751x12M	※◎★	12 (7.0~14.0)	1.16	13.92	3000	232.20	6.56	12.88	0.50	52.3
TRS1751x12H	※◎★	12 (7.0~14.0)	1.76	21.12	3500	269.65	7.62	17.38	0.68	56.6
TRS1751x12VH	※◎★	12 (7.0~14.0)	2.42	29.04	4000	307.11	8.68	22.54	0.88	60.5
TRS1751x24M	※◎★	24 (7.0~14.0)	0.58	13.92	3000	232.20	6.56	12.88	0.50	52.3
TRS1751x24H	※◎★	24 (15.0~27.0)	0.88	21.12	3500	269.65	7.62	17.38	0.68	56.6
TRS1751x24VH	※◎★	24 (15.0~27.0)	1.21	29.04	4000	299.62	8.48	21.46	0.84	60.5
TRS1751x24SH	※◎★	24 (15.0~27.0)	1.86	44.64	4500	344.56	9.74	28.37	1.11	62.3
TRS1751x24UH	※◎★	24 (15.0~27.0)	2.59	62.16	5000	400.79	11.34	37.06	1.46	67.1
TRS1751x48M	※◎★	48 (35.0~57.0)	0.29	13.92	3000	232.20	6.56	12.88	0.50	52.3
TRS1751x48H	※◎★	48 (35.0~57.0)	0.44	21.12	3500	269.65	7.62	17.38	0.68	56.6
TRS1751x48VH	※◎★	48 (35.0~57.0)	0.53	25.44	4000	299.62	8.48	21.46	0.84	60.5
TRS1751x48SH	※◎★	48 (35.0~57.0)	0.93	44.64	4500	344.56	9.74	28.37	1.11	62.3
TRS1751x48UH	※◎★	48 (35.0~57.0)	1.10	52.80	5000	400.79	11.34	37.06	1.46	67.1

◎ Bearing System ※ : Sleeve ★ : WRB ◎ : Ball

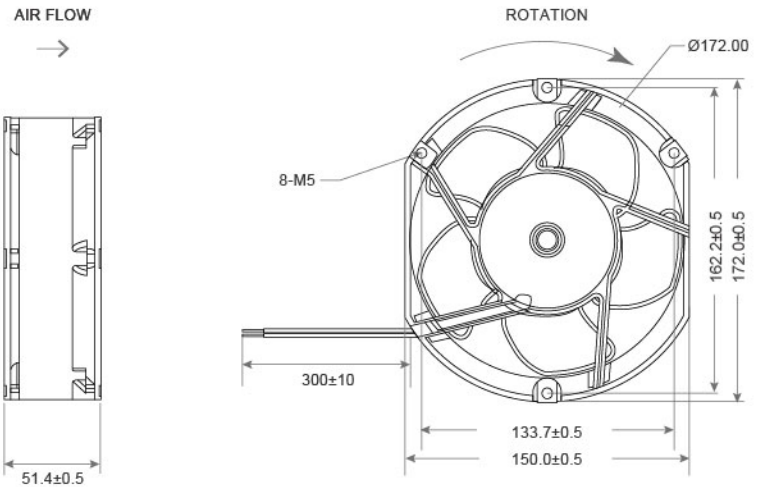
★如果您需要的轉速或電壓或功能不在這份清單上，請與我們業務聯繫 Please contact us, if the SPEC you need is not in the list.

★產品詳細數據及功能請參閱承認書 Please see the approval sheet for more information . ★產品規格變更不另行通知 Specifications are subject to change without notice. A120



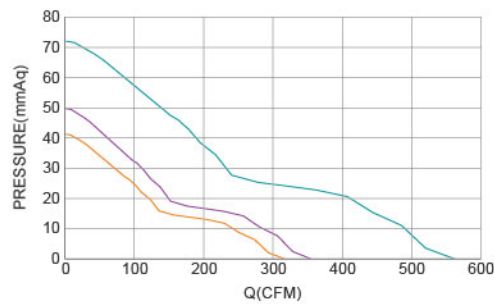
DC Axial Fan TRS17251 B SERIES 172X150X51mm

DIMENSIONS DRAWING UNIT : mm



- Frame : Aluminum
外框材質：鋁框
- Impeller : Thermoplastic PBT UL94-V0
扇葉材質：環保防火PBT
- Bearing : ※Sleeve · ★WRB · ◎Two Ball Bearing
軸承：※含油 · ★WRB · ◎滾珠軸承
- Unit Weight : 720g
風扇單體重量：720克

P&Q Curve At Rated Voltage

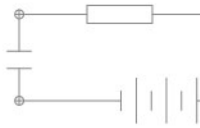


Model No.	Bearing Type	Voltage (VDC)	Current (A)	Power (W)	Speed (RPM)	Air Flow (CFM)	Air Flow (m ³ /min)	Air Pressure (mmH ₂ O)	Air Pressure (Inch H ₂ O)	Noise (dBA)
TRS1751x12L	※◎★	12 (7.0~14.0)	1.50	18.00	4000	237.97	6.73	21.94	0.86	58.4
TRS1751x12M	※◎★	12 (7.0~14.0)	2.10	25.20	4500	267.71	7.57	27.77	1.09	60.8
TRS1751x12H	※◎★	12 (7.0~14.0)	2.72	32.64	5000	297.46	8.41	34.28	1.35	63.8
TRS1751x12VH	※◎★	12 (7.0~14.0)	3.62	43.44	5500	327.20	9.26	41.48	1.63	65.5
TRS1751x24L	※◎★	24 (15.0~27.0)	1.06	25.44	4000	237.97	6.73	21.94	0.86	58.4
TRS1751x24M	※◎★	24 (15.0~27.0)	1.18	28.32	4500	267.71	7.57	27.77	1.09	60.8
TRS1751x24H	※◎★	24 (15.0~27.0)	1.36	32.64	5000	297.46	8.41	34.28	1.35	63.8
TRS1751x24VH	※◎★	24 (15.0~27.0)	1.81	43.44	5500	327.20	9.26	41.48	1.63	65.5
TRS1751x24SH	※◎★	24 (15.0~27.0)	2.41	57.84	6000	356.95	10.10	49.36	1.94	68.7
TRS1751x24UH	※◎★	24 (15.0~27.0)	3.40	81.60	6500	479.11	13.55	53.41	2.10	71.6
TRS1751x48L	※◎★	48 (35.0~57.0)	0.38	18.00	4000	237.97	6.73	21.94	0.86	58.4
TRS1751x48M	※◎★	48 (35.0~57.0)	0.53	25.20	4500	267.71	7.57	27.77	1.09	60.8
TRS1751x48H	※◎★	48 (35.0~57.0)	0.68	32.64	5000	297.46	8.41	34.28	1.35	63.8
TRS1751x48VH	※◎★	48 (35.0~57.0)	0.91	43.44	5500	327.20	9.26	41.48	1.63	65.5
TRS1751x48SH	※◎★	48 (35.0~57.0)	1.20	57.84	6000	356.95	10.10	49.36	1.94	68.7
TRS1751x48UH	※◎★	48 (35.0~57.0)	2.87	137.76	6500	557.51	15.77	72.32	2.85	72.3

◎ Bearing System ※ : Sleeve ★ : WRB ◎ : Ball

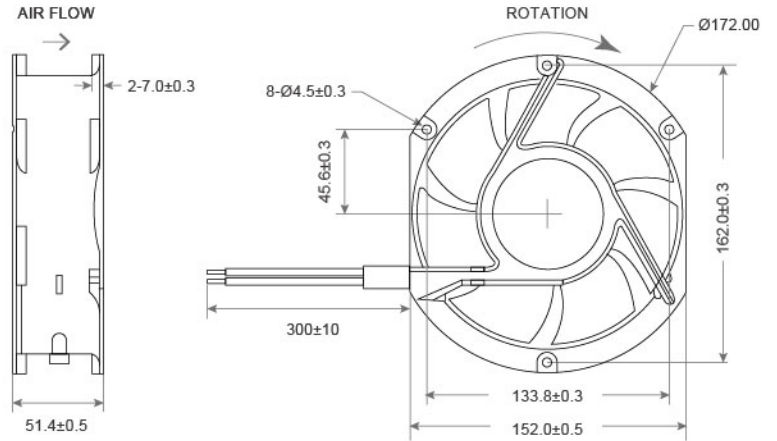
★如果您需要的轉速或電壓或功能不在這份清單上，請與我們業務聯繫 Please contact us, if the SPEC you need is not in the list.

■ A121★產品詳細數據及功能請參閱承認書 Please see the approval sheet for more information . ★產品規格變更不另行通知 Specifications are subject to change without notice.



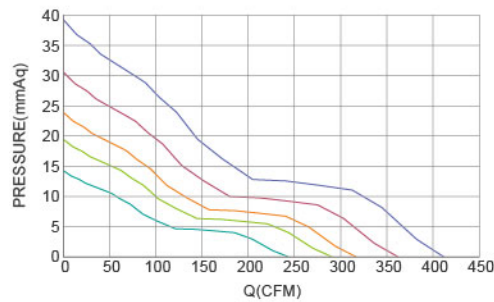
DC Axial Fan TRD17251 SERIES 172X150X51mm

DIMENSIONS DRAWING UNIT : mm



- Frame : Aluminum
外框材質：鋁框
- Impeller : Thermoplastic PBT UL94-V0
扇葉材質：環保防火PBT
- Bearing : ※Sleeve · ★WRB · ◎Two Ball Bearing
軸承：※含油 · ★WRB · ◎滾珠軸承
- Unit Weight : 760g
風扇單體重量：760克

P&Q Curve At Rated Voltage

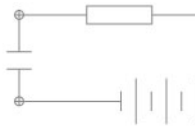


Model No.	Bearing Type	Voltage (VDC)	Current (A)	Power (W)	Speed (RPM)	Air Flow (CFM)	Air Flow (m ³ /min)	Air Pressure (mmH ₂ O)	Air Pressure (Inch H ₂ O)	Noise (dBA)
TRD1751x12M	※◎★	12 (7.0~14.0)	1.58	18.96	3000	248.49	6.56	14.25	0.50	52.0
TRD1751x12H	※◎★	12 (7.0~14.0)	2.00	24.00	3500	288.57	7.62	19.12	0.68	57.5
TRD1751x12VH	※◎★	12 (7.0~14.0)	2.90	34.80	4000	328.65	8.68	24.92	0.88	60.8
TRD1751x24M	※◎★	24 (7.0~14.0)	0.79	18.96	3000	248.49	6.56	14.25	0.50	52.0
TRD1751x24H	※◎★	24 (15.0~27.0)	1.00	24.00	3500	288.57	7.62	19.12	0.68	57.5
TRD1751x24VH	※◎★	24 (15.0~27.0)	1.45	34.80	4000	320.63	9.07	23.72	0.93	60.8
TRD1751x24SH	※◎★	24 (15.0~27.0)	1.80	43.20	4500	360.71	10.20	30.02	1.18	64.7
TRD1751x24UH	※◎★	24 (15.0~27.0)	2.60	62.40	5000	408.80	10.80	38.56	1.37	67.1
TRD1751x48M	※◎★	48 (35.0~57.0)	0.40	19.20	3000	248.49	6.56	14.25	0.50	52.0
TRD1751x48H	※◎★	48 (35.0~57.0)	0.50	24.00	3500	288.57	7.62	19.13	0.68	57.5
TRD1751x48VH	※◎★	48 (35.0~57.0)	0.70	33.60	4000	320.63	9.07	23.72	0.93	60.8
TRD1751x48SH	※◎★	48 (35.0~57.0)	1.00	48.00	4500	360.71	10.20	30.02	1.18	64.7
TRD1751x48UH	※◎★	48 (35.0~57.0)	1.30	62.40	5000	408.80	10.80	38.56	1.37	67.1

◎ Bearing System ※ : Sleeve ★ : WRB ◎ : Ball

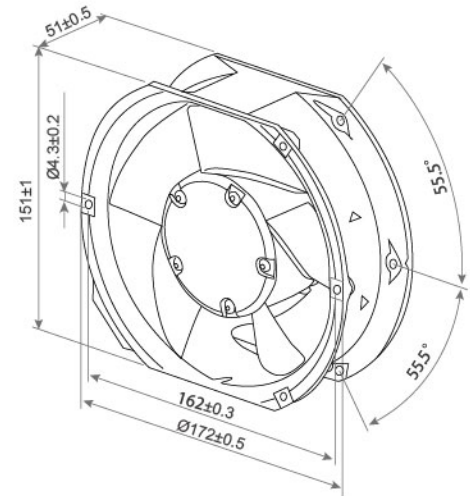
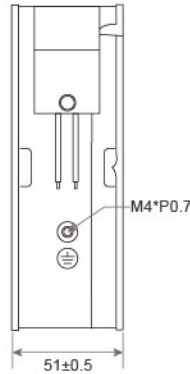
★如果您需要的轉速或電壓或功能不在這份清單上，請與我們業務聯繫 Please contact us, if the SPEC you need is not in the list.

★產品詳細數據及功能請參閱承認書 Please see the approval sheet for more information . ★產品規格變更不另行通知 Specifications are subject to change without notice. A122



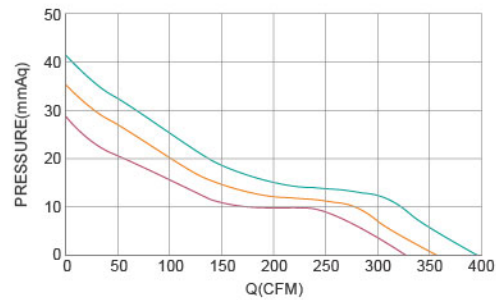
DC Axial Fan TRL17251 SERIES 172X151X51mm

DIMENSIONS DRAWING UNIT : mm



- Frame : Aluminum
外框材質：鋁框
- Impeller : Thermoplastic PBT UL94-V0
扇葉材質：環保防火PBT
- Bearing : ◎Two Ball Bearing
軸承：◎滾珠軸承
- Ingress Protection : Optional IP54 or IP56 or IP68
防護等級：可選擇 IP54 或 IP56 或 IP68

P&Q Curve At Rated Voltage

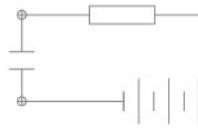


Model No.	Bearing Type	Voltage (VDC)	Current (A)	Power (W)	Speed (RPM)	Air Flow (CFM)	Air Flow (m ³ /min)	Air Pressure (mmH ₂ O)	Air Pressure (Inch H ₂ O)	Noise (dBA)
TRL17251B12SD	◎	12 (7.0~14.0)	1.31	15.72	2800	220.0	6.23	14.48	0.57	64.0
TRL17251B12D	◎	12 (7.0~14.0)	1.88	22.56	3200	255.0	7.22	18.80	0.74	60.0
TRL17251B12L	◎	12 (7.0~14.0)	2.75	33.00	3600	290.0	8.21	23.62	0.93	56.0
TRL17251B12M	◎	12 (7.0~14.0)	3.73	44.76	4000	325.0	9.20	28.70	1.13	52.0
TRL17251B24SD	◎	24 (15.0~27.0)	0.65	15.60	2800	220.0	6.23	14.48	0.57	72.0
TRL17251B24D	◎	24 (15.0~27.0)	0.89	21.36	3200	255.0	7.22	18.80	0.74	68.0
TRL17251B24L	◎	24 (15.0~27.0)	1.21	29.04	3600	290.0	8.21	23.62	0.93	64.0
TRL17251B24M	◎	24 (15.0~27.0)	1.69	40.56	4000	325.0	9.20	28.70	1.13	60.0
TRL17251B24H	◎	24 (15.0~27.0)	2.41	57.84	4400	355.0	10.05	34.04	1.34	56.0
TRL17251B24SH	◎	24 (15.0~27.0)	2.94	70.56	4800	390.0	11.04	40.39	1.59	52.0
TRL17251B48SD	◎	48 (35.0~57.0)	0.33	15.84	2800	220.0	6.23	14.48	0.57	72.0
TRL17251B48D	◎	48 (35.0~57.0)	0.45	21.60	3200	255.0	7.22	18.80	0.74	68.0
TRL17251B48L	◎	48 (35.0~57.0)	0.60	28.80	3600	290.0	8.21	23.62	0.93	64.0
TRL17251B48M	◎	48 (35.0~57.0)	0.79	37.92	4000	325.0	9.20	28.70	1.13	60.0
TRL17251B48H	◎	48 (35.0~57.0)	1.15	55.20	4400	355.0	10.05	34.04	1.34	56.0
TRL17251B48VH	◎	48 (35.0~57.0)	1.48	71.04	4800	390.0	11.04	40.39	1.59	52.0

⊗ Bearing System ※ : Sleeve ★ : WRB ◎ : Ball

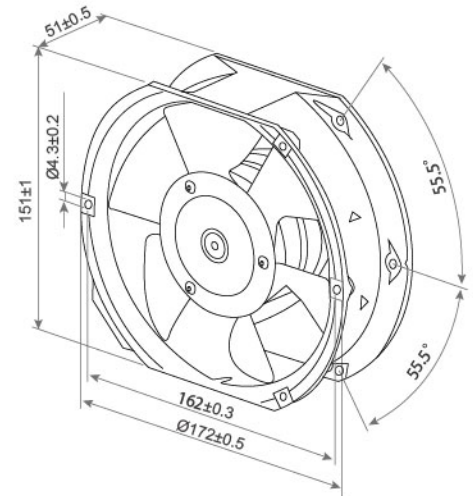
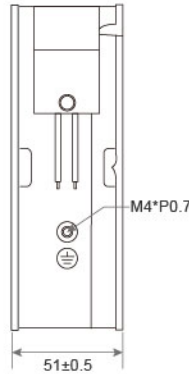
★如果您需要的轉速或電壓或功能不在這份清單上，請與我們業務聯繫 Please contact us, if the SPEC you need is not in the list.

■ A123★產品詳細數據及功能請參閱承認書 Please see the approval sheet for more information . ★產品規格變更不另行通知 Specifications are subject to change without notice.



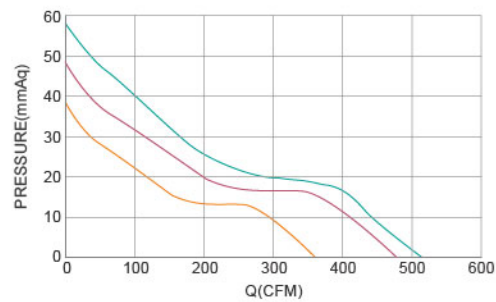
DC Axial Fan TRL17251 B SERIES 172X151X51mm

DIMENSIONS DRAWING UNIT : mm



- Frame : Aluminum
外框材質：鋁框
- Impeller : Metal
扇葉材質：金屬葉
- Bearing : ◎Two Ball Bearing
軸承：◎滾珠軸承
- Ingress Protection : Optional IP54 or IP56 or IP68
防護等級：可選擇 IP54 或 IP56 或 IP68

P&Q Curve At Rated Voltage

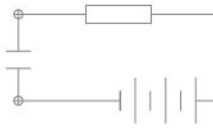


Model No.	Bearing Type	Voltage (VDC)	Current (A)	Power (W)	Speed (RPM)	Air Flow (CFM)	Air Flow (m ³ /min)	Air Pressure (mmH ₂ O)	Air Pressure (Inch H ₂ O)	Noise (dBA)
TRL17251B12SD.M	◎	12 (7.0~14.0)	1.17	14.04	2800	210	5.95	14.22	0.56	52.0
TRL17251B12D.M	◎	12 (7.0~14.0)	1.60	19.20	3200	245	6.94	18.03	0.71	56.0
TRL17251B12L.M	◎	12 (7.0~14.0)	2.39	28.68	3600	275	7.79	22.61	0.89	60.0
TRL17251B12M.M	◎	12 (7.0~14.0)	2.76	33.12	4000	310	8.78	27.94	1.10	64.0
TRL17251B24SD.M	◎	24 (15.0~27.0)	0.56	13.44	2800	210	5.95	14.22	0.56	52.0
TRL17251B24D.M	◎	24 (15.0~27.0)	0.77	18.48	3200	245	6.94	18.03	0.71	56.0
TRL17251B24L.M	◎	24 (15.0~27.0)	1.07	25.68	3600	275	7.79	22.61	0.89	60.0
TRL17251B24M.M	◎	24 (15.0~27.0)	1.38	33.12	4000	310	8.78	27.94	1.10	64.0
TRL17251B24H.M	◎	24 (15.0~27.0)	1.80	43.20	4400	340	9.63	33.02	1.30	68.0
TRL17251B24VH.M	◎	24 (15.0~57.0)	2.30	55.20	4800	360	10.19	37.85	1.49	72.0
TRL17251B48SD.M	◎	48 (35.0~57.0)	0.28	13.44	2800	210	5.95	14.22	0.56	52.0
TRL17251B48D.M	◎	48 (35.0~57.0)	0.39	18.72	3200	245	6.94	18.03	0.71	56.0
TRL17251B48L.M	◎	48 (35.0~57.0)	0.51	24.48	3600	275	7.79	22.61	0.89	60.0
TRL17251B48M.M	◎	48 (35.0~57.0)	0.69	33.12	4000	310	8.78	27.94	1.10	64.0
TRL17251B48H.M	◎	48 (35.0~57.0)	0.90	43.20	4400	340	9.63	33.02	1.30	68.0
TRL17251B48VH.M	◎	48 (35.0~57.0)	1.18	56.64	4800	360	10.19	37.85	1.49	72.0
TRL17251B48SH.M	◎	48 (35.0~57.0)	2.05	98.40	5800	437	12.37	48.51	1.91	73.0
TRL17251B48XH.M	◎	48 (35.0~57.0)	3.30	158.40	6800	507	14.35	57.15	2.25	75.0

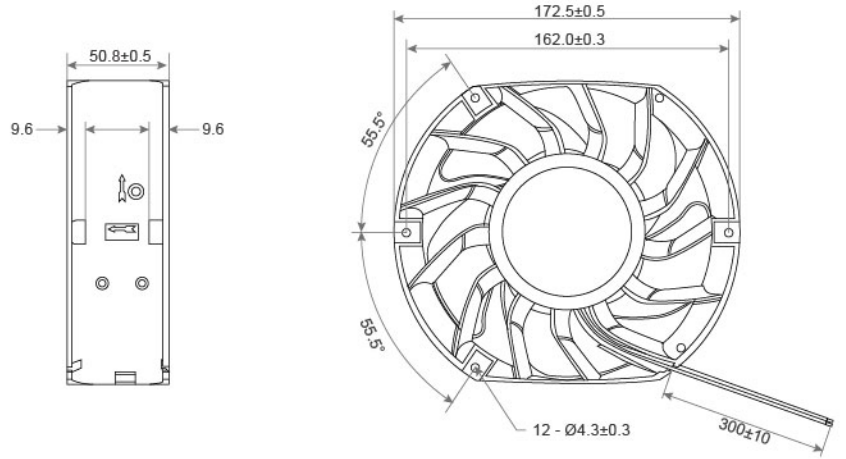
⊗ Bearing System ※ : Sleeve ★ : WRB ◎ : Ball

★如果您需要的轉速或電壓或功能不在這份清單上，請與我們業務聯繫 Please contact us, if the SPEC you need is not in the list.

★產品詳細數據及功能請參閱承認書 Please see the approval sheet for more information . ★產品規格變更不另行通知 Specifications are subject to change without notice. A124

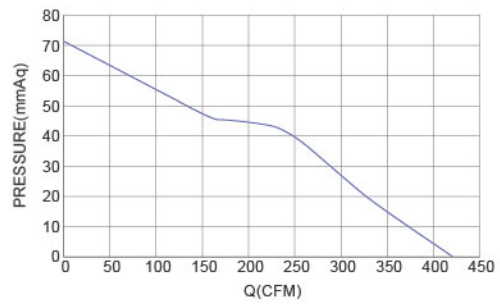


DIMENSIONS DRAWING UNIT : mm



- Frame : Aluminum
外框材質：鋁框
- Impeller : Thermoplastic PBT UL94-V0
扇葉材質：環保防火PBT
- Bearing : ※Sleeve · ★WRB · ◎Two Ball Bearing
軸承：※含油 · ★WRB · ◎滾珠軸承
- Unit Weight : 746.3g
風扇單體重量：746.3克

P&Q Curve At Rated Voltage

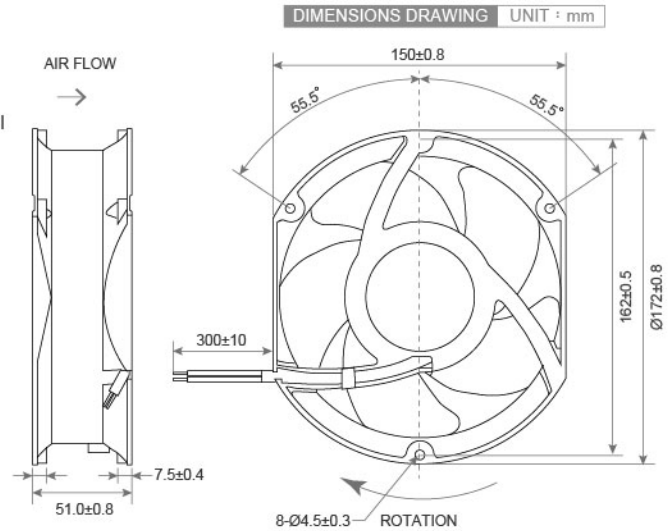
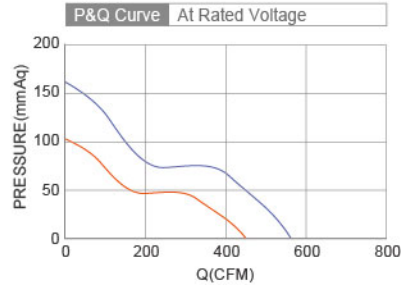


Model No.	Bearing Type	Voltage (VDC)	Current (A)	Power (W)	Speed (RPM)	Air Flow (CFM)	Air Flow (m ³ /min)	Air Pressure (mmH ₂ O)	Air Pressure (Inch H ₂ O)	Noise (dBA)
TRF17251x24VH	※◎★	24 (16.0~27.5)	3.3	79.2	6400	421.0	11.95	71.37	2.81	72.5

DC Axial Fan TRF17251 B SERIES 172x150x51mm



- Frame : Aluminum
外框材質：鋁框
- Impeller : Thermoplastic PBT UL94-V0
扇葉材質：環保防火PBT
- Bearing : ※Sleeve · ★WRB · ◎Two Ball
軸承：※含油 · ★WRB · ◎滾珠軸承
- Unit Weight : 817g
風扇單體重量：817克



Model No.	Bearing Type	Voltage (VDC)	Current (A)	Power (W)	Speed (RPM)	Air Flow (CFM)	Air Flow (m ³ /min)	Air Pressure (mmH ₂ O)	Air Pressure (Inch H ₂ O)	Noise (dBA)
TRF17251x12M	※◎	12 (8.5~13.5)	11.0	132	8000	433.0	12.3	102.1	4.02	75.5
TRF17251x24M	※◎	24(14.5~27.5)	5.5	132	8000	433.0	12.3	102.1	4.02	75.5
TRF17251x24H	※◎	24(14.5~27.5)	11.5	276	10500	566.9	16.1	163.3	6.43	82.0
TRF17251x48M	※◎	48(29.0~55.0)	2.8	132	8000	433.0	12.3	102.1	4.02	75.5
TRF17251x48H	※◎	48(29.0~55.0)	5.8	276	10500	566.9	16.1	163.3	6.43	82.0

⊗ Bearing System ※ : Sleeve ★ : WRB ◎ : Ball

★如果您需要的轉速或電壓或功能不在這份清單上，請與我們業務聯繫 Please contact us, if the SPEC you need is not in the list.

■ A125★產品詳細數據及功能請參閱承認書 Please see the approval sheet for more information . ★產品規格變更不另行通知 Specifications are subject to change without notice.