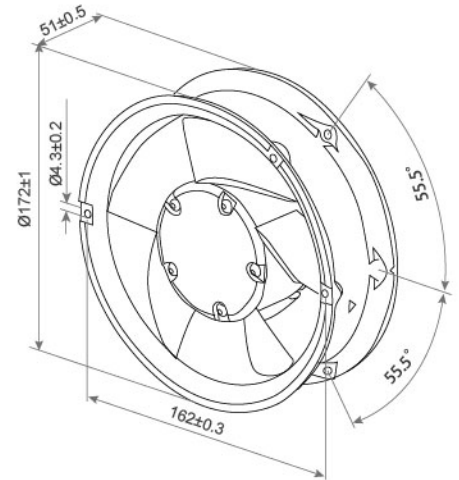
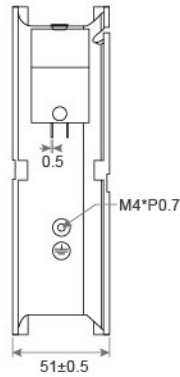


DC Axial Fan TRL172Ø51 SERIES Ø172X51mm

DIMENSIONS DRAWING UNIT : mm

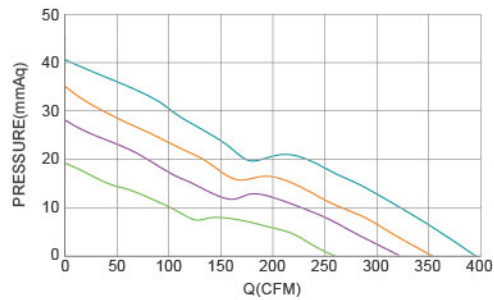


AIR FLOW →



- Frame : Aluminum
外框材質 : 鋁框
- Impeller : Thermoplastic PBT UL94-V0
扇葉材質 : 環保防火PBT
- Bearing : ◎Two Ball Bearing
軸承 : ◎滾珠軸承
- Ingress Protection : Optional IP54 or IP56 or IP68
防護等級 : 可選擇 IP54 或 IP56 或 IP68

P&Q Curve At Rated Voltage

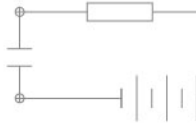


Model No.	Bearing Type	Voltage (VDC)	Current (A)	Power (W)	Speed (RPM)	Air Flow (CFM)	Air Flow (m ³ /min)	Air Pressure (mmH ₂ O)	Air Pressure (Inch H ₂ O)	Noise (dBA)
TRL17Ø51B12SD	◎	12	1.31	15.72	2800	220.0	6.23	14.5	0.57	52.0
TRL17Ø51B12D	◎	12	1.88	22.56	3200	255.0	7.22	18.8	0.74	56.0
TRL17Ø51B12L	◎	12	2.75	33.00	3600	290.0	8.21	23.6	0.93	60.0
TRL17Ø51B12M	◎	12	3.73	44.76	4000	325.0	9.20	28.7	1.13	64.0
TRL17Ø51B24SD	◎	24	0.65	15.60	2800	220.0	6.23	14.5	0.57	52.0
TRL17Ø51B24D	◎	24	0.89	21.36	3200	255.0	7.22	18.8	0.74	56.0
TRL17Ø51B24L	◎	24	1.21	29.04	3600	290.0	8.21	23.6	0.93	60.0
TRL17Ø51B24M	◎	24	1.69	40.56	4000	325.0	9.20	28.7	1.13	64.0
TRL17Ø51B24H	◎	24	2.41	57.84	4400	355.0	10.05	34.0	1.34	68.0
TRL17Ø51B24VH	◎	24	2.94	70.56	4800	390.0	11.04	40.4	1.59	72.0
TRL17Ø51B48SD	◎	48	0.33	15.84	2800	220.0	6.23	14.5	0.57	52.0
TRL17Ø51B48D	◎	48	0.45	21.60	3200	255.0	7.22	18.8	0.74	56.0
TRL17Ø51B48L	◎	48	0.60	28.80	3600	290.0	8.21	23.6	0.93	60.0
TRL17Ø51B48M	◎	48	0.79	37.92	4000	325.0	9.20	28.7	1.13	64.0
TRL17Ø51B48H	◎	48	1.15	55.20	4400	355.0	10.05	34.0	1.34	68.0
TRL17Ø51B48VH	◎	48	1.48	71.04	4800	390.0	11.04	40.4	1.59	72.0

⊗ Bearing System ※ : Sleeve ★ : WRB ◎ : Ball

★如果您需要的轉速或電壓或功能不在這份清單上，請與我們業務聯繫 Please contact us, if the SPEC you need is not in the list.

★產品詳細數據及功能請參閱承認書 Please see the approval sheet for more information . ★產品規格變更不另行通知 Specifications are subject to change without notice. A126

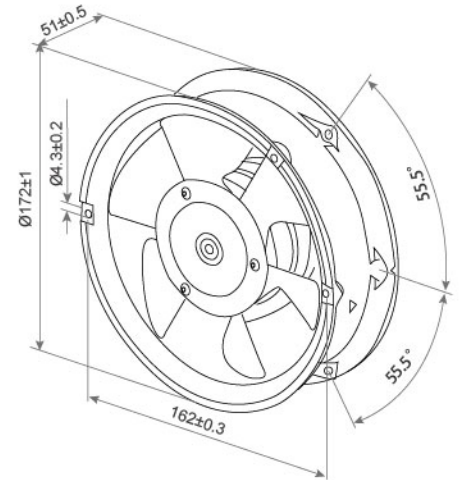
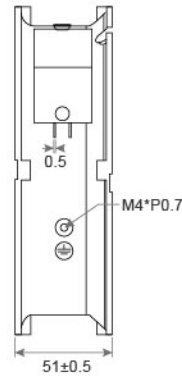


DC Axial Fan TRL172Ø51 B SERIES Ø172X51mm

DIMENSIONS DRAWING UNIT : mm

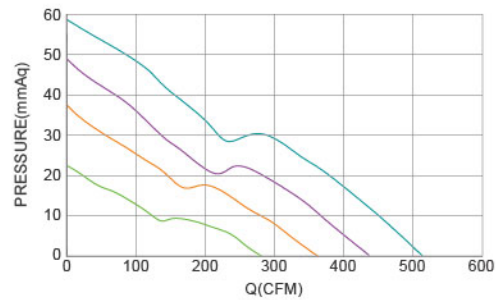


AIR FLOW
→



- Frame : Aluminum
外框材質：鋁框
- Impeller : Metal
扇葉材質：金屬葉
- Bearing : ◎Two Ball Bearing
軸承：◎滾珠軸承
- Ingress Protection : Optional IP54 or IP56 or IP68
防護等級：可選擇 IP54 或 IP56 或 IP68

P&Q Curve At Rated Voltage



Model No.	Bearing Type	Voltage (VDC)	Current (A)	Power (W)	Speed (RPM)	Air Flow (CFM)	Air Flow (m ³ /min)	Air Pressure (mmH ₂ O)	Air Pressure (Inch H ₂ O)	Noise (dBA)
TRL17Ø51B12SD.M	◎	12	1.17	14.04	2800	210.0	5.95	14.2	0.56	52.0
TRL17Ø51B12D.M	◎	12	1.60	19.20	3200	245.0	6.94	18.0	0.71	56.0
TRL17Ø51B12L.M	◎	12	2.39	28.68	3600	275.0	7.79	22.6	0.89	60.0
TRL17Ø51B12M.M	◎	12	2.76	33.12	4000	310.0	8.78	27.9	1.10	64.0
TRL17Ø51B24SD.M	◎	24	0.56	13.44	2800	210.0	5.95	14.2	0.56	52.0
TRL17Ø51B24D.M	◎	24	0.77	18.48	3200	245.0	6.94	18.0	0.71	56.0
TRL17Ø51B24L.M	◎	24	1.07	25.68	3600	275.0	7.79	22.6	0.89	60.0
TRL17Ø51B24M.M	◎	24	1.38	33.12	4000	310.0	8.78	27.9	1.10	64.0
TRL17Ø51B24H.M	◎	24	1.80	43.20	4400	340.0	9.63	33.0	1.30	68.0
TRL17Ø51B24VH.M	◎	24	2.30	55.20	4800	360.0	10.19	37.8	1.49	72.0
TRL17Ø51B48SD.M	◎	48	0.28	13.44	2800	210.0	5.95	14.2	0.56	52.0
TRL17Ø51B48D.M	◎	48	0.39	18.72	3200	245.0	6.94	18.0	0.71	56.0
TRL17Ø51B48L.M	◎	48	0.51	24.48	3600	275.0	7.79	22.6	0.89	60.0
TRL17Ø51B48M.M	◎	48	0.69	33.12	4000	310.0	8.78	27.9	1.10	64.0
TRL17Ø51B48H.M	◎	48	0.90	43.20	4400	340.0	9.63	33.0	1.30	68.0
TRL17Ø51B48VH.M	◎	48	1.18	56.64	4800	360.0	10.19	37.8	1.49	72.0
TRL17Ø51B48SH.M	◎	48	2.05	98.40	5800	437.0	12.37	48.5	1.91	73.0
TRL17Ø51B48XH.M	◎	48	3.30	158.40	6800	507.0	14.35	57.2	2.25	75.0

⊗ Bearing System ※ : Sleeve ★ : WRB ◎ : Ball

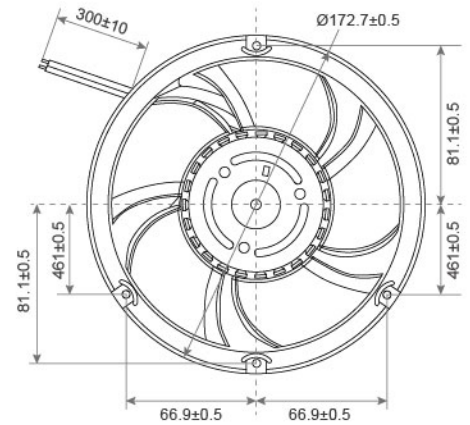
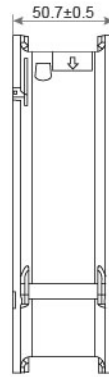
★如果您需要的轉速或電壓或功能不在這份清單上，請與我們業務聯繫 Please contact us, if the SPEC you need is not in the list.

■ A127★產品詳細數據及功能請參閱承認書 Please see the approval sheet for more information . ★產品規格變更不另行通知 Specifications are subject to change without notice.



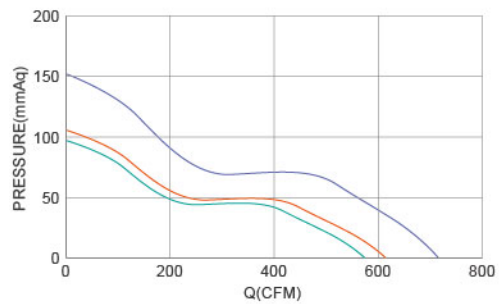
DC Axial Fan TRF17251 FDE1 SERIES Ø172X51mm

DIMENSIONS DRAWING UNIT : mm



- Frame : Aluminum frame
外框材質：鋁框
- Impeller : Thermoplastic PBT UL94-V0
扇葉材質：環保防火PBT
- Bearing : ◎Two Ball Bearing
軸承：◎滾珠軸承
- Unit Weight : 900g
風扇單體重量：900克

P&Q Curve At Rated Voltage



Model No.	Bearing Type	Voltage (VDC)	Current (A)	Power (W)	Speed (RPM)	Air Flow (CFM)	Air Flow (m ³ /min)	Air Pressure (mmH ₂ O)	Air Pressure (Inch H ₂ O)	Noise (dBA)
TRF17251x12D	◎	12 (9.0~13.2)	7.91	95	6000	473.0	13.43	66.29	2.61	71.0
TRF17251xx24D	◎	24 (18.0~30.0)	3.96	95	6000	473.0	13.43	66.29	2.61	71.0
TRF17251xx24L	◎	24 (18.0~30.0)	6.50	156	7200	583.0	16.55	99.31	3.91	75.0
TRF17251xx24M	◎	24 (18.0~30.0)	6.75	162	7500	606.0	17.21	110.49	4.35	76.0
TRF17251xx24H	◎	24 (18.0~30.0)	10.75	258	9000	712.0	20.22	155.19	6.11	80.0
TRF17251xx48D	◎	48 (36.0~60.0)	1.98	95	6000	473.0	13.43	66.29	2.61	71.0
TRF17251xx48L	◎	48 (36.0~60.0)	3.25	156	7200	583.0	16.55	99.31	3.91	75.0
TRF17251xx48M	◎	48 (36.0~60.0)	3.38	162	7500	606.0	17.21	110.49	4.35	76.0
TRF17251xx48H	◎	48 (36.0~60.0)	5.38	258	9000	712.0	20.22	155.19	6.11	80.0

⊗ Bearing System ※ : Sleeve ★ : WRB ◎ : Ball

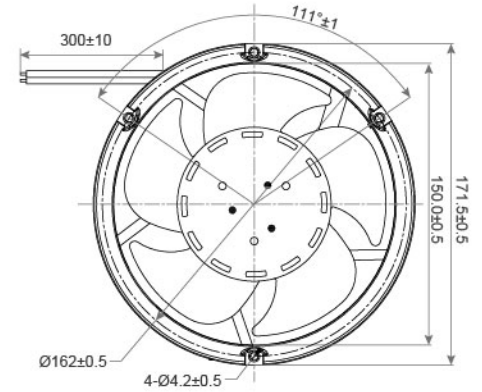
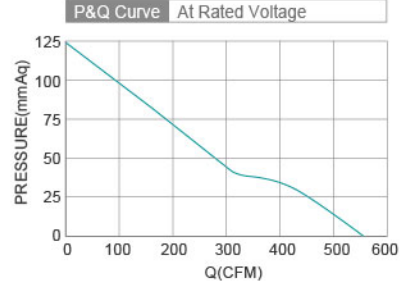
★如果您需要的轉速或電壓或功能不在這份清單上，請與我們業務聯繫 Please contact us, if the SPEC you need is not in the list.

★產品詳細數據及功能請參閱承認書 Please see the approval sheet for more information . ★產品規格變更不另行通知 Specifications are subject to change without notice. A128

DC Axial Fan TRL17Ø51 U SERIES Ø172X51mm



- Frame : Aluminum
外框材質：鋁框
- Impeller : Thermoplastic PBT UL94-V0
扇葉材質：環保防火PBT
- Bearing : ◎Two Ball bearing
軸承：◎滾珠軸承
- Unit Weight : 900g
風扇單體重量：900克



Model No.	Bearing Type	Voltage (VDC)	Current (A)	Power (W)	Speed (RPM)	Air Flow (CFM)	Air Flow (m ³ /min)	Air Pressure (mmH ₂ O)	Air Pressure (Inch H ₂ O)	Noise (dBA)
TRL17Ø51x48H	◎	48 (36.0~54.0)	3.2	153.6	9500	554.6	15.70	122.10	4.81	80.2

⊗ Bearing System ※ : Sleeve ★ : WRB ◎ : Ball

★如果您需要的轉速或電壓或功能不在這份清單上，請與我們業務聯繫 Please contact us, if the SPEC you need is not in the list.

■ A125★產品詳細數據及功能請參閱承認書 Please see the approval sheet for more information . ★產品規格變更不另行通知 Specifications are subject to change without notice.