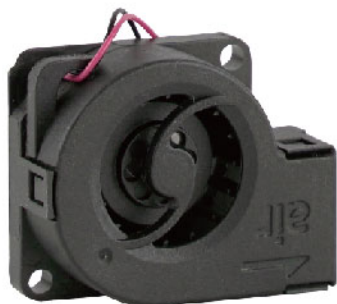
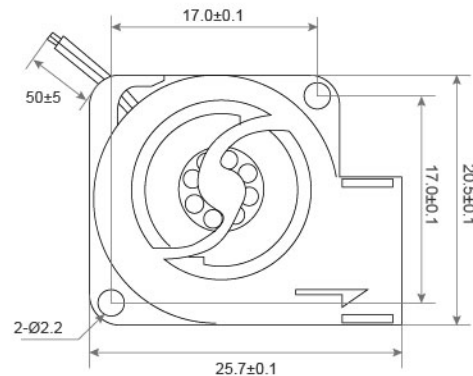
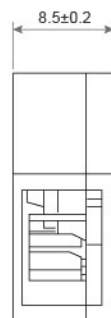
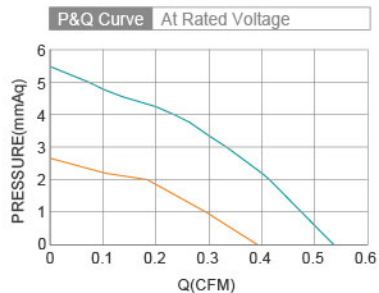


## DC Blower Fan SFB2508 SERIES 25X20X08mm



- Frame : Thermoplastic PBT UL94-V0  
外框材質：環保防火PBT
- Impeller : Thermoplastic PBT UL94-V0  
扇葉材質：環保防火PBT
- Bearing : ★WRB Bearing  
軸承：★WRB軸承
- Unit Weight : 3.0g  
風扇單體重量：3.0克

DIMENSIONS DRAWING UNIT : mm



Model No.	Bearing Type	Voltage (VDC)	Current (A)	Power (W)	Speed (RPM)	Air Flow (CFM)	Air Flow (m <sup>3</sup> /min)	Air Pressure (mmH <sub>2</sub> O)	Air Pressure (Inch H <sub>2</sub> O)	Noise (dBA)
SFB2008-3	★	3.3 (2.8~3.6)	0.045	0.15	6000	0.37	0.010	1.93	0.076	14.4
SFB2008-5	★	5.0 (4.5~5.5)	0.065	0.33	8000	0.48	0.014	3.29	0.130	18.2
SFB2008H-3	★	3.3 (2.8~3.6)	0.098	0.32	8000	0.48	0.014	3.29	0.130	18.2
SFB2008H-5	★	5.0 (4.5~5.5)	0.140	0.70	11000	0.65	0.018	6.27	0.247	20.8