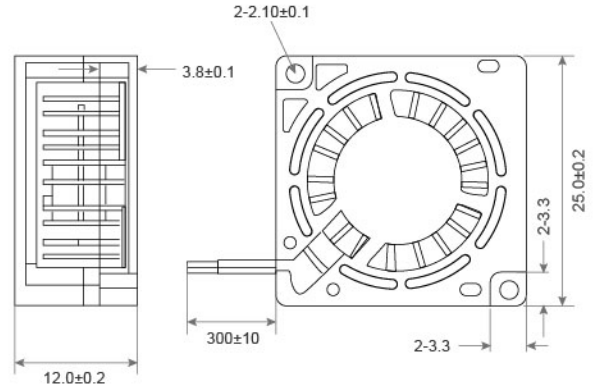
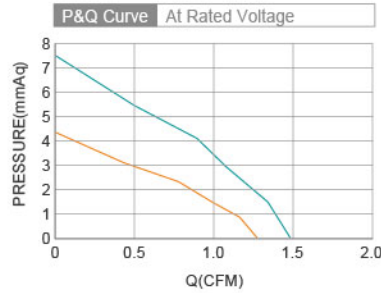


## DC Blower Fan TRB2512 SERIES 25X25X12mm

- Frame : Thermoplastic PBT UL94-V0  
外框材質：環保防火PBT
- Impeller : Thermoplastic PBT UL94-V0  
扇葉材質：環保防火PBT
- Bearing : ◎Two Ball bearing  
軸承：◎滾珠軸承
- Unit Weight : 7.5g  
風扇單體重量：7.5克

DIMENSIONS DRAWING UNIT : mm



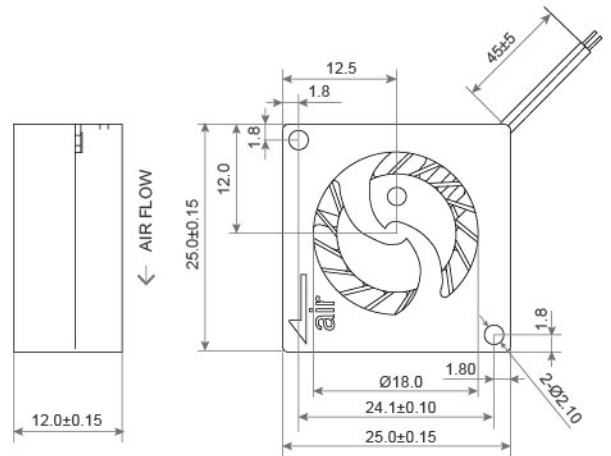
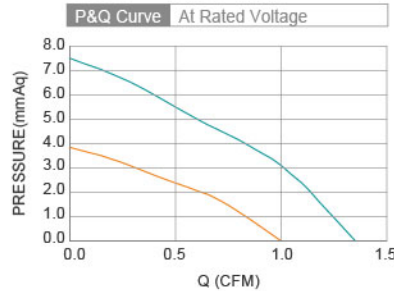
Model No.	Bearing Type	Voltage (VDC)	Current (A)	Power (W)	Speed (RPM)	Air Flow (CFM)	Air Flow (m <sup>3</sup> /min)	Air Pressure (mmH <sub>2</sub> O)	Air Pressure (Inch H <sub>2</sub> O)	Noise (dBA)
TRB2512B05L	◎	5 (4.0~5.5)	0.14	0.70	9000	1.28	0.04	4.37	0.17	28.3
TRB2512B05M	◎	5 (4.0~5.5)	0.16	0.80	10500	1.49	0.04	7.55	0.30	30.7



## DC Blower Fan SFB2512 SERIES 25X25X12mm

- Frame : Thermoplastic PBT UL94-V0  
外框材質：環保防火PBT
- Impeller : Thermoplastic PBT UL94-V0  
扇葉材質：環保防火PBT
- Bearing : ★WRB Bearing  
軸承：★WRB軸承
- Unit Weight : 5.4g  
風扇單體重量：5.4克

DIMENSIONS DRAWING UNIT : mm



Model No.	Bearing Type	Voltage (VDC)	Current (A)	Power (W)	Speed (RPM)	Air Flow (CFM)	Air Flow (m <sup>3</sup> /min)	Air Pressure (mmH <sub>2</sub> O)	Air Pressure (Inch H <sub>2</sub> O)	Noise (dBA)
SFB2512-3	★	3.3 (2.8~3.6)	0.058	0.19	7000	1.00	0.028	3.85	0.152	18.6
SFB2512-5	★	5.0 (4.5~5.5)	0.087	0.44	9500	1.35	0.038	7.49	0.295	27.0

◎ : Bearing System ※ : Sleeve ★ : WRB ◎ : Ball

★如果您需要的轉速或電壓或功能不在這份清單上，請與我們業務聯繫 Please contact us, if the SPEC you need is not in the list.

★產品詳細數據及功能請參閱承認書 Please see the approval sheet for more information . ★產品規格變更不另行通知 Specifications are subject to change without notice.