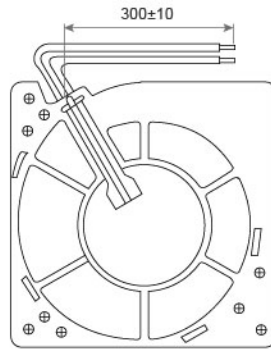
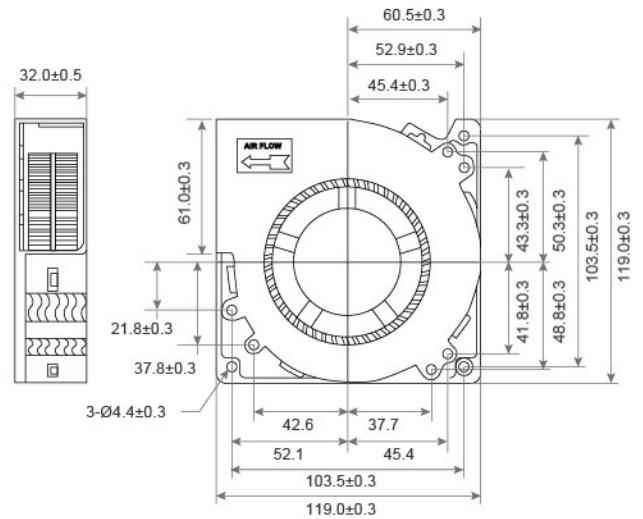


DC Blower Fan TRB1232 SERIES 120X120X32mm



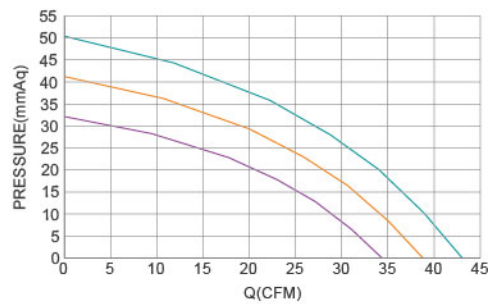
ROTATION

DIMENSIONS DRAWING UNIT : mm



- Frame : Thermoplastic PBT UL94-V0
外框材質：環保防火PBT
- Impeller : Thermoplastic PBT UL94-V0
扇葉材質：環保防火PBT
- Bearing : ※ Sleeve · ★ WRB · ◎ Two Ball bearing
軸承：※ 含油 · ★ WRB · ◎ 滾珠軸承
- Unit Weight : 260g
風扇單體重量：260克

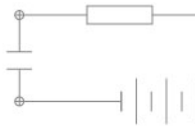
P&Q Curve At Rated Voltage



Model No.	Bearing Type	Voltage (VDC)	Current (A)	Power (W)	Speed (RPM)	Air Flow (CFM)	Air Flow (m ³ /min)	Air Pressure (mmH ₂ O)	Air Pressure (Inch H ₂ O)	Noise (dBA)
TRB1232x12D	※★◎	12 (7.0~14.0)	0.24	2.88	2000	20.76	0.59	11.21	0.44	40.8
TRB1232x12L	※★◎	12 (7.0~14.0)	0.39	4.68	2400	25.84	0.73	18.12	0.71	45.5
TRB1232x12M	※★◎	12 (7.0~14.0)	0.60	7.20	2800	30.15	0.85	24.67	0.97	48.5
TRB1232x12H	※★◎	12 (7.0~14.0)	1.25	15.00	3200	34.46	0.97	32.22	1.27	51.4
TRB1232x12VH	※★◎	12 (7.0~14.0)	1.85	22.20	3600	38.77	1.10	40.78	1.61	54.3
TRB1232x12SH	※★◎	12 (7.0~14.0)	2.24	26.88	4000	43.07	1.22	50.34	1.98	59.0
TRB1232x24D	※★◎	24 (15.0~27.0)	0.12	2.88	2000	20.76	0.59	11.21	0.44	40.8
TRB1232x24L	※★◎	24 (15.0~27.0)	0.20	4.68	2400	25.84	0.73	18.12	0.71	45.5
TRB1232x24M	※★◎	24 (15.0~27.0)	0.30	7.20	2800	30.15	0.85	24.67	0.97	48.5
TRB1232x24H	※★◎	24 (15.0~27.0)	0.63	15.00	3200	34.46	0.97	32.22	1.27	51.4
TRB1232x24VH	※★◎	24 (15.0~27.0)	0.93	22.20	3600	38.77	1.10	40.78	1.61	54.3
TRB1232x24SH	※★◎	24 (15.0~27.0)	1.12	26.88	4000	43.07	1.22	50.34	1.98	59.0
TRB1232x48L	※★◎	48 (35.0~58.0)	0.10	4.68	2400	25.84	0.73	18.12	0.71	45.5
TRB1232x48M	※★◎	48 (35.0~58.0)	0.15	7.20	2800	30.15	0.85	24.67	0.97	48.5
TRB1232x48H	※★◎	48 (35.0~58.0)	0.32	15.00	3200	34.46	0.97	32.22	1.27	51.4
TRB1232x48VH	※★◎	48 (35.0~58.0)	0.47	22.20	3600	38.77	1.10	40.78	1.61	54.3
TRB1232x48SH	※★◎	48 (35.0~58.0)	0.56	26.88	4000	43.07	1.22	50.34	1.98	59.0

⊗ Bearing System ※ : Sleeve ★ : WRB ◎ : Ball

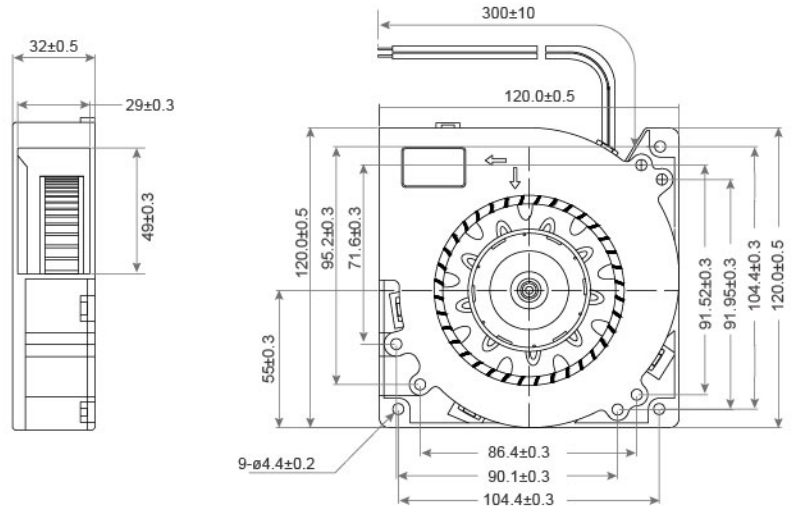
★如果您需要的轉速或電壓或功能不在這份清單上，請與我們業務聯繫 Please contact us, if the SPEC you need is not in the list.



DC Blower Fan TRB1232 U SERIES 120x120x32mm

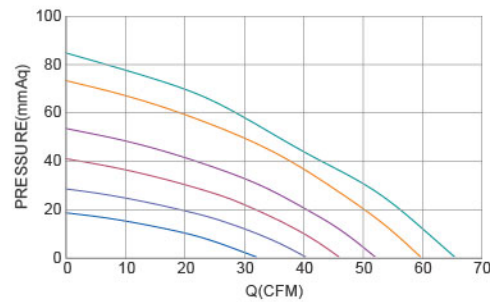


DIMENSIONS DRAWING UNIT : mm



- Frame : Thermoplastic PBT UL94-V0
外框材質：環保防火PBT
- Impeller : Thermoplastic PBT UL94-V0
扇葉材質：環保防火PBT
- Bearing : ※ Sleeve · ★ WRB · ◎ Two Ball bearing
軸承：※含油 · ★WRB · ◎滾珠軸承
- Unit Weight : 284g
風扇單體重量：284克

P&Q Curve At Rated Voltage

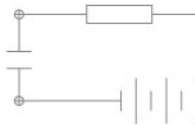


Model No.	Bearing Type	Voltage (VDC)	Current (A)	Power (W)	Speed (RPM)	Air Flow (CFM)	Air Flow (m ³ /min)	Air Pressure (mmH ₂ O)	Air Pressure (Inch H ₂ O)	Noise (dBA)
TRB1232x12D	※★◎	12 (7.5~13.5)	0.80	9.6	2500	32.35	1.15	18.98	0.75	50.4
TRB1232x12L	※★◎	12 (7.5~13.5)	1.40	16.8	3000	40.35	1.43	29.28	1.54	52.3
TRB1232x12M	※★◎	12 (7.5~13.5)	1.80	21.6	3500	46.38	1.64	40.17	1.58	58.3
TRB1232x12H	※★◎	12 (7.5~13.5)	2.40	28.8	4000	52.44	1.86	54.63	2.15	59.0
TRB1232x12VH	※★◎	12 (7.5~13.5)	3.00	36.0	4500	59.32	2.10	73.11	2.88	62.2
TRB1232x12SH	※★◎	12 (7.5~13.5)	3.60	43.2	5000	65.96	2.33	83.60	3.29	64.7
TRB1232x24D	※★◎	24 (18.0~26.5)	0.40	9.6	2500	32.35	1.15	18.98	0.75	50.4
TRB1232x24L	※★◎	24 (18.0~26.5)	0.70	16.8	3000	40.35	1.43	29.28	1.54	52.3
TRB1232x24M	※★◎	24 (18.0~26.5)	0.90	21.6	3500	46.38	1.64	40.17	1.58	58.3
TRB1232x24H	※★◎	24 (18.0~26.5)	1.20	28.8	4000	52.44	1.86	54.63	2.15	59.0
TRB1232x24VH	※★◎	24 (18.0~26.5)	1.50	36.0	4500	59.32	2.10	73.11	2.88	62.2
TRB1232x24SH	※★◎	24 (18.0~26.5)	1.80	43.2	5000	65.96	2.33	83.60	3.29	64.7
TRB1232x48D	※★◎	48 (36.0~54.0)	0.20	9.6	2500	32.35	1.15	18.98	0.75	50.4
TRB1232x48L	※★◎	48 (36.0~54.0)	0.35	16.8	3000	40.35	1.43	29.28	1.54	52.3
TRB1232x48M	※★◎	48 (36.0~54.0)	0.45	21.6	3500	46.38	1.64	40.17	1.58	58.3
TRB1232x48H	※★◎	48 (36.0~54.0)	0.60	28.8	4000	52.44	1.86	54.63	2.15	59.0
TRB1232x48VH	※★◎	48 (36.0~54.0)	0.75	36.0	4500	59.32	2.10	73.11	2.88	62.2
TRB1232x48SH	※★◎	48 (36.0~54.0)	0.90	43.2	5000	65.96	2.33	83.60	3.29	64.7

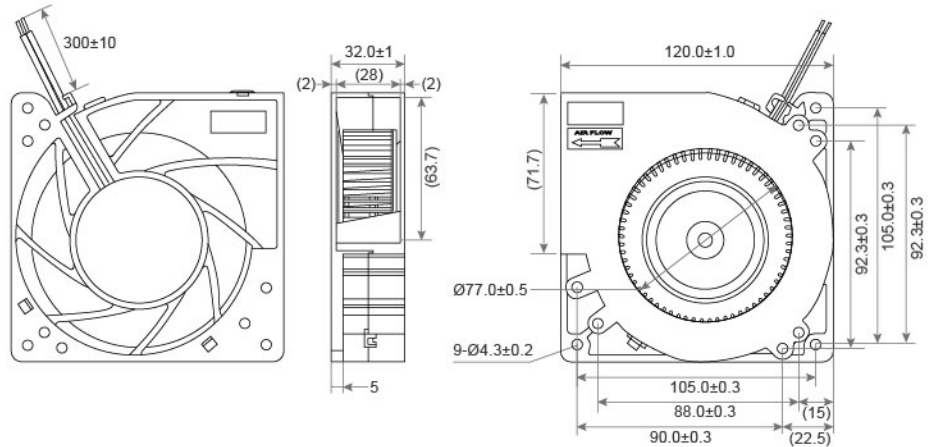
⊗ Bearing System ※ : Sleeve ★ : WRB ◎ : Ball

★如果您需要的轉速或電壓或功能不在這份清單上，請與我們業務聯繫 Please contact us, if the SPEC you need is not in the list.

★產品詳細數據及功能請參閱承認書 Please see the approval sheet for more information . ★產品規格變更不另行通知 Specifications are subject to change without notice.

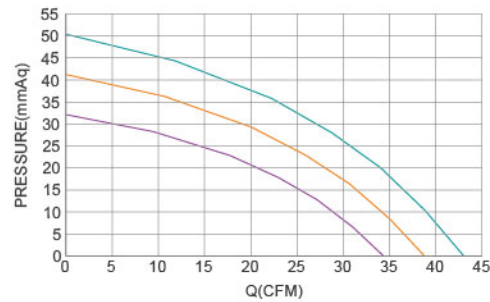


DIMENSIONS DRAWING UNIT : mm



- Frame : Thermoplastic PBT UL94-V0
外框材質：環保防火PBT
- Impeller : Thermoplastic PBT UL94-V0
扇葉材質：環保防火PBT
- Bearing : ※Sleeve · ★WRB · ◎Two Ball bearing
軸承：※含油 · ★WRB · ◎滾珠軸承
- Unit Weight : 328g
風扇單體重量：328克

P&Q Curve At Rated Voltage



Model No.	Bearing Type	Voltage (VDC)	Current (A)	Power (W)	Speed (RPM)	Air Flow (CFM)	Air Flow (m ³ /min)	Air Pressure (mmH ₂ O)	Air Pressure (Inch H ₂ O)	Noise (dBA)
TRB1232x12D	※★◎	12 (7.2~13.8)	0.70	8.4	2100	25.0	0.71	17.0	0.67	43.5
TRB1232x12L	※★◎	12 (7.2~13.8)	1.00	12.0	2500	36.5	1.04	31.0	1.22	48.5
TRB1232x12M	※★◎	12 (7.2~13.8)	1.35	16.2	2800	41.6	1.18	41.0	1.61	52.5
TRB1232x12H(FDB)	※★◎	12 (7.2~13.8)	2.30	27.6	3750	56.5	1.60	127.5	5.02	62.0
TRB1232x12VH(FDB)	※★◎	12 (7.2~13.8)	3.00	36.0	4500	67.5	1.91	155.1	6.10	65.0
TRB1232x24D	※★◎	24 (13.0~27.8)	0.35	8.4	2100	25.0	0.71	17.0	0.67	43.5
TRB1232x24L	※★◎	24 (13.0~27.8)	0.50	12.0	2500	36.5	1.04	31.0	1.22	48.5
TRB1232x24M	※★◎	24 (13.0~27.8)	0.68	16.2	2800	41.5	1.18	41.0	1.61	52.5
TRB1232x24H(FDB)	※★◎	24 (13.0~27.8)	1.15	27.6	3750	56.5	1.60	127.5	5.02	62.0
TRB1232x24VH(FDB)	※★◎	24 (13.0~27.8)	1.50	36.0	4500	67.5	1.91	155.1	6.10	65.0
TRB1232x24SH(FDB)	※★◎	24 (13.0~27.8)	4.00	96.0	6000	98.6	2.80	163.3	6.43	72.5
TRB1232x48D	※★◎	48 (36.0~54.8)	0.18	8.4	2100	25.0	0.71	17.0	0.67	43.5
TRB1232x48L	※★◎	48 (36.0~54.8)	0.25	12.0	2500	36.5	1.04	31.0	1.22	48.5
TRB1232x48H(FDB)	※★◎	48 (36.0~54.8)	0.58	27.6	3750	56.5	1.60	127.5	5.02	62.0
TRB1232x48VH(FDB)	※★◎	48 (36.0~54.8)	0.75	36.0	4500	67.5	1.91	155.1	6.10	65.0
TRB1232x48SH(FDB)	※★◎	48 (36.0~54.8)	2.00	96.0	6000	98.6	2.80	163.3	6.43	72.5

⊗ Bearing System ※ : Sleeve ★ : WRB ◎ : Ball

★如果您需要的轉速或電壓或功能不在這份清單上，請與我們業務聯繫 Please contact us, if the SPEC you need is not in the list.

★產品詳細數據及功能請參閱承認書 Please see the approval sheet for more information . ★產品規格變更不另行通知 Specifications are subject to change without notice. B39