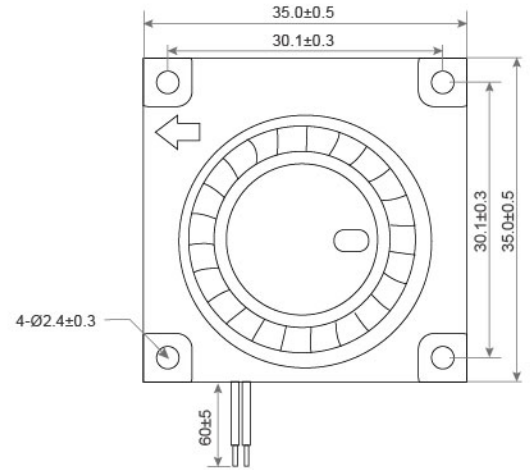
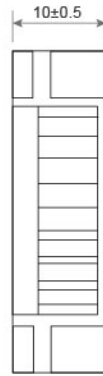


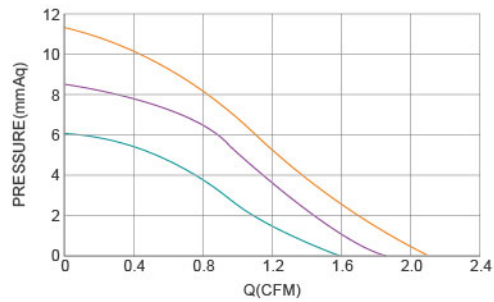
# DC Blower Fan TRB3510 FD SERIES 35X35X10mm

DIMENSIONS DRAWING UNIT : mm



- Frame : Thermoplastic PBT UL94-V0  
外框材質：環保防火PBT
- Impeller : Thermoplastic PBT UL94-V0  
扇葉材質：環保防火PBT
- Bearing : ※Sleeve · ★WRB · ◎Two Ball bearing  
軸承：※含油 · ★WRB · ◎滾珠軸承
- Unit Weight : 11.0g  
風扇單體重量：11.0克

P&Q Curve At Rated Voltage



Model No.	Bearing Type	Voltage (VDC)	Current (A)	Power (W)	Speed (RPM)	Air Flow		Air Pressure		Noise (dBA)
						(CFM)	(m <sup>3</sup> /min)	(mmH <sub>2</sub> O)	(Inch H <sub>2</sub> O)	
TRB3510x05D	◎※★	5 (4.0~6.0)	0.06	0.30	5500	1.34	0.038	4.14	0.163	24.0
TRB3510x05L	◎※★	5 (4.0~6.0)	0.09	0.45	6500	1.59	0.045	6.01	0.236	26.0
TRB3510x05M	◎※★	5 (4.0~6.0)	0.12	0.60	7500	1.84	0.073	8.50	0.335	29.5
TRB3510x05H	◎※★	5 (4.0~6.0)	0.25	1.25	8500	2.12	0.060	11.25	0.443	31.5
TRB3510x12D	◎※★	12 (7.2~13.8)	0.05	0.60	5500	1.34	0.038	4.14	0.163	24.0
TRB3510x12L	◎※★	12 (7.2~13.8)	0.06	0.72	6500	1.59	0.045	6.01	0.236	26.0
TRB3510x12M	◎※★	12 (7.2~13.8)	0.08	0.96	7500	1.84	0.073	8.50	0.335	29.5
TRB3510x12H	◎※★	12 (7.2~13.8)	0.1	1.20	8500	2.12	0.060	11.25	0.443	31.5

◎ Bearing System ※ : Sleeve ★ : WRB ◎ : Ball

★如果您需要的轉速或電壓或功能不在這份清單上，請與我們業務聯繫 Please contact us, if the SPEC you need is not in the list.

★產品詳細數據及功能請參閱承認書 Please see the approval sheet for more information . ★產品規格變更不另行通知 Specifications are subject to change without notice.