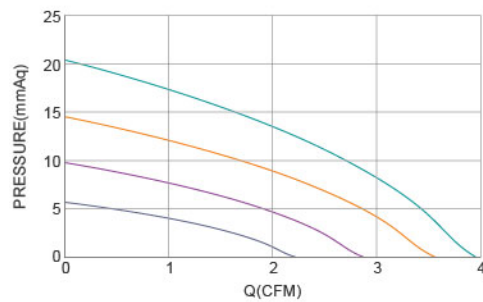


- Frame : Thermoplastic PBT + Aluminum Sheet
外框材質：環保防火PBT+鋁片
- Impeller : Thermoplastic PBT UL94-V0
扇葉材質：環保防火PBT
- Bearing : ※Sleeve · ◎Two Ball bearing
軸承：※Sleeve · ◎滾珠軸承
- Unit Weight : 21.5g
風扇單體重量：21.5克

P&Q Curve At Rated Voltage

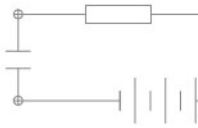


Model No.	Bearing Type	Voltage (VDC)	Current (A)	Power (W)	Speed (RPM)	Air Flow (CFM)	Air Flow (m ³ /min)	Air Pressure (mmH ₂ O)	Air Pressure (Inch H ₂ O)	Noise (dBA)
TRB4510x05D	※◎	5 (4.0~6.0)	0.07	0.35	3500	2.18	0.062	5.48	0.208	23.0
TRB4510x05L	※◎	5 (4.0~6.0)	0.11	0.55	4500	2.89	0.082	9.72	0.383	28.5
TRB4510x05M	※◎	5 (4.0~6.0)	0.21	1.05	5100	3.54	0.100	14.32	0.654	33.0
TRB4510x05H	※◎	5 (4.0~6.0)	0.30	1.5	5800	3.99	0.114	20.10	0.791	38.5
TRB4510x12D	※◎	12 (7.2~13.8)	0.06	0.72	3500	2.18	0.062	5.48	0.208	23.0
TRB4510x12L	※◎	12 (7.2~13.8)	0.09	1.08	4500	2.89	0.082	9.72	0.383	28.5
TRB4510x12M	※◎	12 (7.2~13.8)	0.14	1.68	5100	3.54	0.100	14.32	0.654	33.0
TRB4510x12H	※◎	12 (7.2~13.8)	0.19	2.28	5800	3.99	0.114	20.10	0.791	38.5

⊗ Bearing System ※ : Sleeve ★ : WRB ◎ : Ball

★如果您需要的轉速或電壓或功能不在這份清單上，請與我們業務聯繫 Please contact us, if the SPEC you need is not in the list.

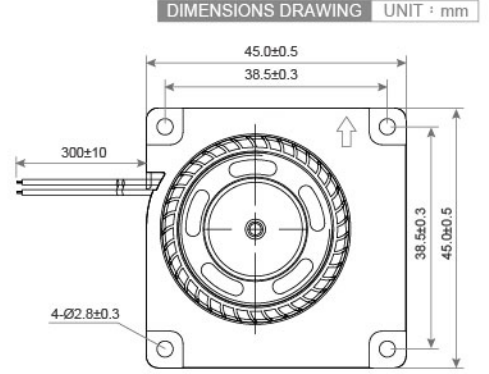
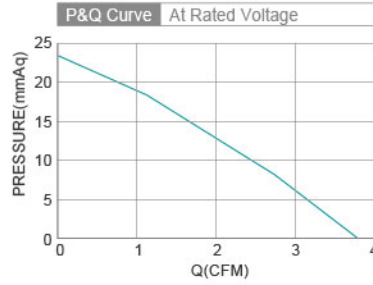
★產品詳細數據及功能請參閱承認書 Please see the approval sheet for more information . ★產品規格變更不另行通知 Specifications are subject to change without notice. ■ B15



DC Blower Fan TRB4510 U SERIES 45X45X10mm



- Frame : Thermoplastic PBT UL94-V0
外框材質：環保防火PBT
- Impeller : Thermoplastic PBT UL94-V0
扇葉材質：環保防火PBT
- Bearing : ※ Sleeve · ★ WRB · ◎ Two Ball
軸承：※含油 · ★WRB · ◎滾珠軸承
- Unit Weight : 26g
風扇單體重量：26克



Model No.	Bearing Type	Voltage (VDC)	Current (A)	Power (W)	Speed (RPM)	Air Flow (CFM)	Air Flow (m ³ /min)	Air Pressure (mmH ₂ O)	Air Pressure (Inch H ₂ O)	Noise (dBA)
TRB4510x05H	※★◎	5 (3.0~6.0)	0.50	2.5	8500	3.7	0.11	23.3	0.92	41.8
TRB4510x12H	※★◎	12 (6.0~13.5)	0.21	2.5	8500	3.7	0.11	23.3	0.92	41.8

⊗ Bearing System ※ : Sleeve ★ : WRB ◎ : Ball

★如果您需要的轉速或電壓或功能不在這份清單上，請與我們業務聯繫 Please contact us, if the SPEC you need is not in the list.

■ B14 ★產品詳細數據及功能請參閱承認書 Please see the approval sheet for more information . ★產品規格變更不另行通知 Specifications are subject to change without notice.