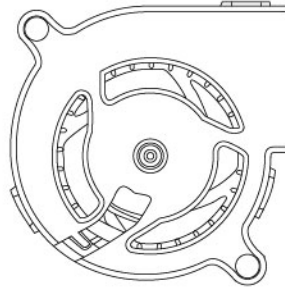


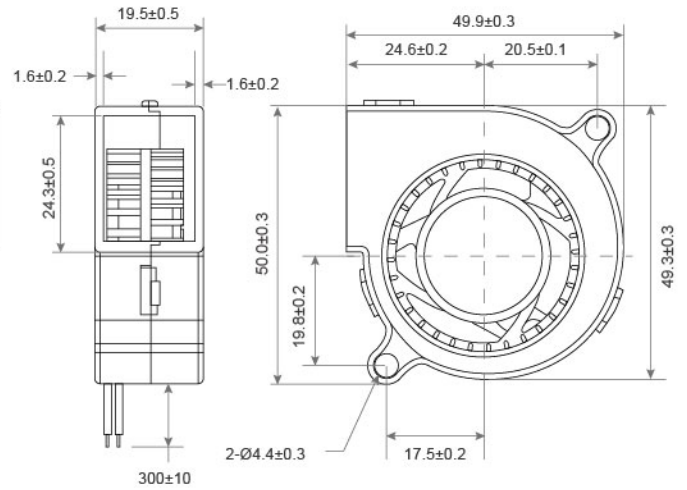


# DC Blower Fan TRB5020 SERIES 50X50X20mm



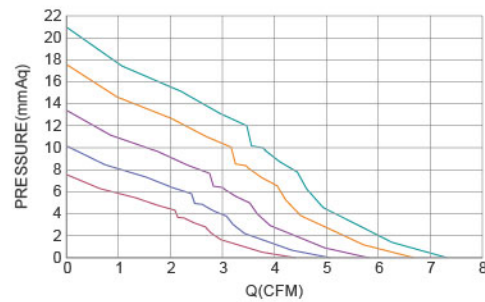
ROTATION

DIMENSIONS DRAWING UNIT : mm



- Frame : Thermoplastic PBT UL94-V0  
外框材質 : 環保防火PBT
- Impeller : Thermoplastic PBT UL94-V0  
扇葉材質 : 環保防火PBT
- Bearing : ★WRB · ◎Two Ball bearing  
軸承 : ★WRB · ◎滾珠軸承
- Unit Weight : 26g  
風扇單體重量 : 26克

P&Q Curve At Rated Voltage

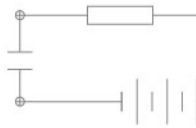


Model No.	Bearing Type	Voltage (VDC)	Current (A)	Power (W)	Speed (RPM)	Air Flow (CFM)	Air Flow (m <sup>3</sup> /min)	Air Pressure (mmH <sub>2</sub> O)	Air Pressure (Inch H <sub>2</sub> O)	Noise (dBA)
TRB5020x05D	★◎	5 (4.0~6.0)	0.13	0.65	3000	2.91	0.08	3.35	0.13	24.6
TRB5020x05L	★◎	5 (4.0~6.0)	0.20	1.00	4500	4.36	0.12	7.54	0.30	34.0
TRB5020x05M	★◎	5 (4.0~6.0)	0.29	1.45	5200	5.04	0.14	10.07	0.40	37.0
TRB5020x05H	★◎	5 (4.0~6.0)	0.42	2.10	6000	5.81	0.16	13.41	0.53	41.8
TRB5020x12D	★◎	12 (7.0~14.0)	0.06	0.72	3000	2.91	0.08	3.35	0.13	24.6
TRB5020x12L	★◎	12 (7.0~14.0)	0.09	1.08	4500	4.36	0.12	7.54	0.30	34.0
TRB5020x12M	★◎	12 (7.0~14.0)	0.13	1.56	5200	5.04	0.14	10.07	0.40	37.0
TRB5020x12H	★◎	12 (7.0~14.0)	0.24	2.88	6000	5.81	0.16	13.41	0.53	41.8
TRB5020x12VH	★◎	12 (7.0~14.0)	0.27	3.24	6800	6.59	0.19	17.22	0.68	45.0
TRB5020x12SH	★◎	12 (7.0~14.0)	0.32	3.84	7500	7.27	0.21	20.95	0.82	49.3
TRB5020x24D	★◎	24 (15.0~27.0)	0.03	0.72	3000	2.91	0.08	3.35	0.13	24.6
TRB5020x24L	★◎	24 (15.0~27.0)	0.04	0.96	4500	4.36	0.12	7.54	0.30	34.0
TRB5020x24M	★◎	24 (15.0~27.0)	0.06	1.44	5200	5.04	0.14	10.07	0.40	37.0
TRB5020x24H	★◎	24 (15.0~27.0)	0.12	2.88	6000	5.81	0.16	13.41	0.53	41.8
TRB5020x24VH	★◎	24 (15.0~27.0)	0.14	3.36	6800	6.59	0.19	17.22	0.68	45.0
TRB5020x24SH	★◎	24 (15.0~27.0)	0.17	4.08	7500	7.27	0.21	20.95	0.82	49.3

⊗ Bearing System ※ : Sleeve ★ : WRB ◎ : Ball

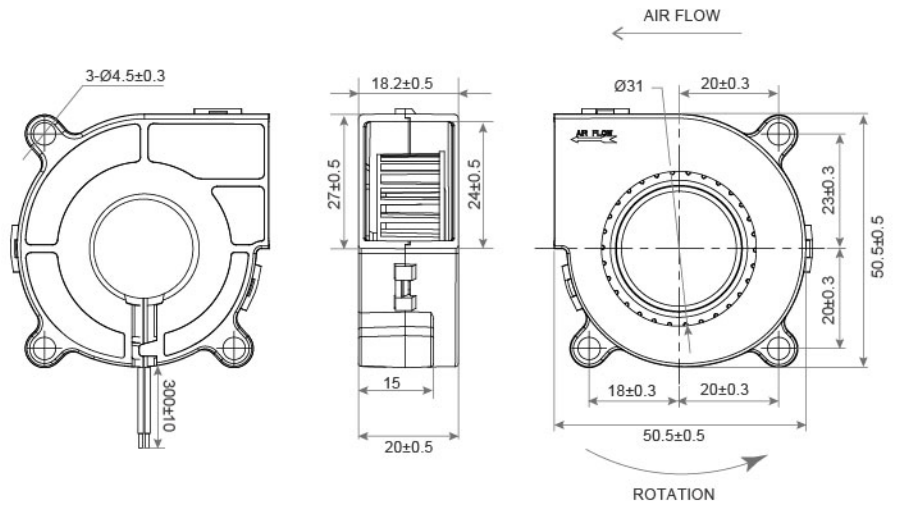
★如果您需要的轉速或電壓或功能不在這份清單上，請與我們業務聯繫 Please contact us, if the SPEC you need is not in the list.

■ B20 ★產品詳細數據及功能請參閱承認書 Please see the approval sheet for more information . ★產品規格變更不另行通知 Specifications are subject to change without notice.



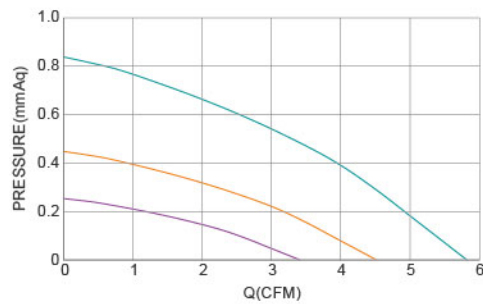
# DC Blower Fan TRB5020 O SERIES 50X50X20mm

DIMENSIONS DRAWING UNIT : mm



- Frame : Thermoplastic PBT UL94-V0  
外框材質：環保防火PBT
- Impeller : Thermoplastic PBT UL94-V0  
扇葉材質：環保防火PBT
- Bearing : ※Sleeve · ★WRB · ◎Two Ball bearing  
軸承：※含油 · ★WRB · ◎滾珠軸承
- Unit Weight : 28g  
風扇單體重量：28克

P&Q Curve At Rated Voltage



Model No.	Bearing Type	Voltage (VDC)	Current (A)	Power (W)	Speed (RPM)	Air Flow		Air Pressure		Noise (dBA)
						(CFM)	(m <sup>3</sup> /min)	(mmH <sub>2</sub> O)	(Inch H <sub>2</sub> O)	
TRB5020x05L	※★◎	5 (4.0~5.8)	0.18	0.90	4000	3.40	0.10	6.30	0.25	31.5
TRB5020x05M	※★◎	5 (4.0~5.8)	0.32	1.60	5000	4.50	0.13	11.70	0.46	39.1
TRB5020x05H	※★◎	5 (4.0~5.8)	0.50	2.50	6000	5.80	0.16	21.30	0.84	42.2
TRB5020x12L	※★◎	12 (7.0~13.8)	0.09	1.08	4000	3.40	0.10	6.30	0.25	31.5
TRB5020x12M	※★◎	12 (7.0~13.8)	0.18	2.16	5000	4.50	0.13	11.70	0.46	39.1
TRB5020x12H	※★◎	12 (7.0~13.8)	0.32	3.84	6000	5.80	0.16	21.30	0.84	42.2
TRB5020x24L	※★◎	24 (14.0~27.6)	0.06	1.44	4000	3.40	0.10	6.30	0.25	31.5
TRB5020x24M	※★◎	24 (14.0~27.6)	0.09	2.16	5000	4.50	0.13	11.70	0.46	39.1
TRB5020x24H	※★◎	24 (14.0~27.6)	0.14	3.36	6000	5.80	0.16	21.30	0.84	42.2

⊗ Bearing System ※ : Sleeve ★ : WRB ◎ : Ball

★如果您需要的轉速或電壓或功能不在這份清單上，請與我們業務聯繫 Please contact us, if the SPEC you need is not in the list.

★產品詳細數據及功能請參閱承認書 Please see the approval sheet for more information . ★產品規格變更不另行通知 Specifications are subject to change without notice. ■ B21