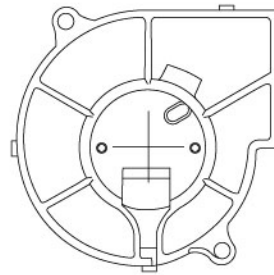
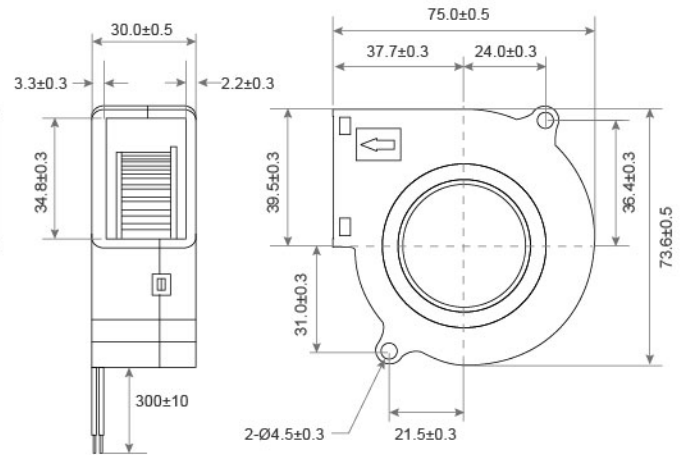


DC Blower Fan TRB7530 SERIES 75X75X30mm

DIMENSIONS DRAWING UNIT : mm

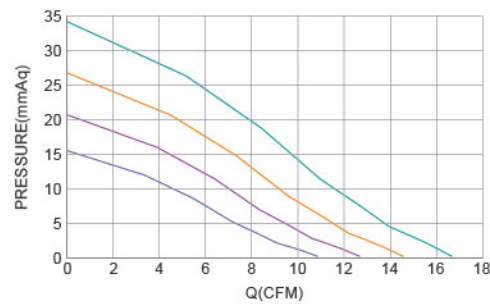


← ROTATION



- Frame : Thermoplastic PBT UL94-V0
外框材質：環保防火PBT
- Impeller : Thermoplastic PBT UL94-V0
扇葉材質：環保防火PBT
- Bearing : ※ Sleeve · ★ WRB · ◎ Two Ball bearing
軸承：※含油 · ★WRB · ◎滾珠軸承
- Unit Weight : 69g
風扇單體重量：69克

P&Q Curve At Rated Voltage

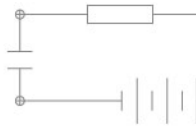


Model No.	Bearing Type	Voltage (VDC)	Current (A)	Power (W)	Speed (RPM)	Air Flow (CFM)	Air Flow (m ³ /min)	Air Pressure (mmH ₂ O)	Air Pressure (Inch H ₂ O)	Noise (dBA)
TRB7530x12D	※★◎	12 (7.0~14.0)	0.13	1.56	2000	7.61	0.22	7.44	0.29	28.5
TRB7530x12L	※★◎	12 (7.0~14.0)	0.16	1.92	2500	9.42	0.27	11.41	0.45	33.0
TRB7530x12M	※★◎	12 (7.0~14.0)	0.22	2.64	3000	10.87	0.31	15.19	0.60	36.1
TRB7530x12H	※★◎	12 (7.0~14.0)	0.31	3.72	3500	12.68	0.36	20.67	0.81	39.5
TRB7530x12VH	※★◎	12 (7.0~14.0)	0.36	4.32	4000	14.49	0.41	27.00	1.06	43.1
TRB7530x12SH	※★◎	12 (7.0~14.0)	0.44	5.28	4500	16.30	0.46	34.17	1.35	45.8
TRB7530x24D	※★◎	24 (15.0~27.0)	0.06	1.44	2000	7.61	0.22	7.44	0.29	28.5
TRB7530x24L	※★◎	24 (15.0~27.0)	0.08	1.92	2500	9.42	0.27	11.41	0.45	33.0
TRB7530x24M	※★◎	24 (15.0~27.0)	0.11	2.64	3000	10.87	0.31	15.19	0.60	36.1
TRB7530x24H	※★◎	24 (15.0~27.0)	0.16	3.84	3500	12.68	0.36	20.67	0.81	39.5
TRB7530x24VH	※★◎	24 (15.0~27.0)	0.18	4.32	4000	14.49	0.41	27.00	1.06	43.1
TRB7530x24SH	※★◎	24 (15.0~27.0)	0.22	5.28	4500	16.30	0.46	34.17	1.35	45.8

⊗ Bearing System ※ : Sleeve ★ : WRB ◎ : Ball

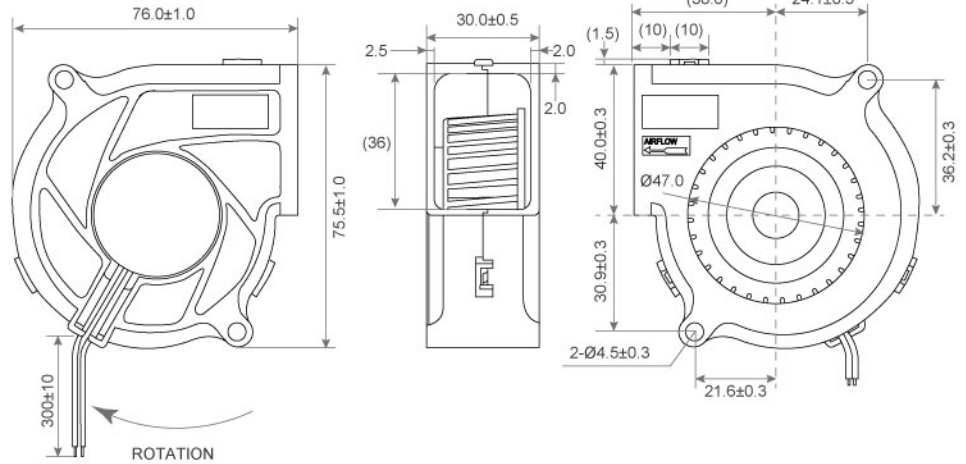
★如果您需要的轉速或電壓或功能不在這份清單上，請與我們業務聯繫 Please contact us, if the SPEC you need is not in the list.

■ B30 ★產品詳細數據及功能請參閱承認書 Please see the approval sheet for more information . ★產品規格變更不另行通知 Specifications are subject to change without notice.



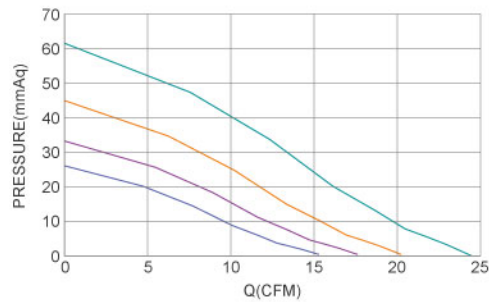
DC Blower Fan TRB7530 FD SERIES 75X75X30mm

DIMENSIONS DRAWING UNIT : mm



- Frame : Thermoplastic PBT UL94-V0
外框材質：環保防火PBT
- Impeller : Thermoplastic PBT UL94-V0
扇葉材質：環保防火PBT
- Bearing : ※ Sleeve · ★ WRB · ◎ Two Ball bearing
軸承：※含油 · ★WRB · ◎滾珠軸承
- Unit Weight : 100g
風扇單體重量：100克

P&Q Curve At Rated Voltage



Model No.	Bearing Type	Voltage (VDC)	Current (A)	Power (W)	Speed (RPM)	Air Flow (CFM)	Air Flow (m ³ /min)	Air Pressure (mmH ₂ O)	Air Pressure (Inch H ₂ O)	Noise (dBA)
TRB7530x12D	※★◎	12 (7.2~13.8)	0.30	0.30	4000	14.30	0.40	17.79	0.70	45.5
TRB7530x12L	※★◎	12 (7.2~13.8)	0.40	0.40	4500	15.42	0.43	25.67	1.01	47.5
TRB7530x12M	※★◎	12 (7.2~13.8)	0.52	0.52	5000	17.21	0.48	31.98	1.26	49.5
TRB7530x12H	※★◎	12 (7.2~13.8)	0.96	0.96	6000	20.69	0.58	45.38	1.79	54.5
TRB7530x12VH	※★◎	12 (7.2~13.8)	1.30	1.30	7000	24.47	0.69	62.03	2.44	59.5
TRB7530x24D	※★◎	24 (14.5~27.5)	0.15	0.15	4000	14.30	0.40	17.79	0.70	45.5
TRB7530x24L	※★◎	24 (14.5~27.5)	0.20	0.20	4500	15.42	0.43	25.67	1.01	47.5
TRB7530x24M	※★◎	24 (14.5~27.5)	0.26	0.26	5000	17.21	0.48	31.98	1.26	49.5
TRB7530x24H	※★◎	24 (14.5~27.5)	0.48	0.48	6000	20.69	0.58	45.38	1.79	54.5
TRB7530x24VH	※★◎	24 (14.5~27.5)	0.65	0.65	7000	24.47	0.69	62.03	2.44	59.5

◎ Bearing System ※ : Sleeve ★ : WRB ◎ : Ball

★如果您需要的轉速或電壓或功能不在這份清單上，請與我們業務聯繫 Please contact us, if the SPEC you need is not in the list.

★產品詳細數據及功能請參閱承認書 Please see the approval sheet for more information . ★產品規格變更不另行通知 Specifications are subject to change without notice. ■ B31