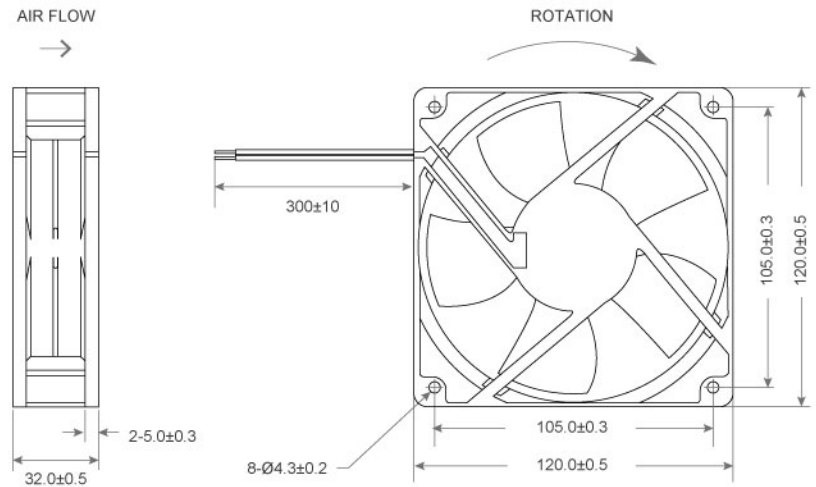


# DC Axial Fan TRS12032 SERIES 120X120X32mm

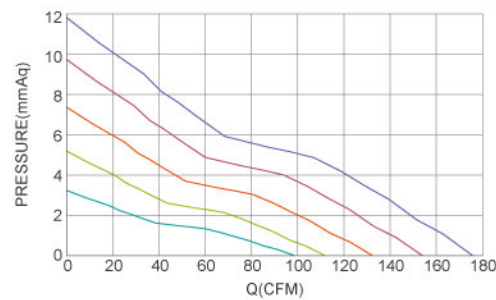


DIMENSIONS DRAWING UNIT : mm



- Frame : Thermoplastic PBT UL94-V0  
外框材質：環保防火PBT
- Impeller : Thermoplastic PBT UL94-V0  
扇葉材質：環保防火PBT
- Bearing : ※Sleeve · ★WRB · ◎Two Ball Bearing  
軸承：※含油 · ★WRB · ◎滾珠軸承
- Unit Weight : 220g  
風扇單體重量：220克

P&Q Curve At Rated Voltage

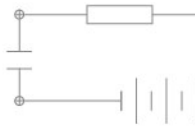


Model No.	Bearing Type	Voltage (VDC)	Current (A)	Power (W)	Speed (RPM)	Air Flow (CFM)	Air Flow (m <sup>3</sup> /min)	Air Pressure (mmH <sub>2</sub> O)	Air Pressure (Inch H <sub>2</sub> O)	Noise (dBA)
TRS1232x12D	※★◎	12 (7.0~14.0)	0.14	1.68	2000	89.28	2.53	3.36	0.13	37.0
TRS1232x12L	※★◎	12 (7.0~14.0)	0.32	3.84	2500	110.54	3.13	5.15	0.20	42.6
TRS1232x12M	※★◎	12 (7.0~14.0)	0.76	9.12	3000	131.80	3.73	7.32	0.29	48.1
TRS1232x12H	※★◎	12 (7.0~14.0)	0.90	10.80	3500	153.06	4.33	9.88	0.39	51.0
TRS1232x12VH	※★◎	12 (7.0~14.0)	1.02	12.24	4000	174.32	4.93	11.81	0.46	54.5
TRS1232x24D	※★◎	24 (15.0~27.0)	0.07	1.68	2000	89.28	2.53	3.36	0.13	37.0
TRS1232x24L	※★◎	24 (15.0~27.0)	0.16	3.84	2500	110.54	3.13	5.15	0.20	42.6
TRS1232x24M	※★◎	24 (15.0~27.0)	0.38	9.12	3000	131.80	3.73	7.32	0.29	48.1
TRS1232x24H	※★◎	24 (15.0~27.0)	0.45	10.80	3500	153.06	4.33	9.88	0.39	51.0
TRS1232x24VH	※★◎	24 (15.0~27.0)	0.50	12.00	4000	174.32	4.93	11.81	0.46	54.5
TRS1232x48D	※★◎	48 (35.0~57.0)	0.03	1.44	2000	89.28	2.53	3.36	0.13	37.0
TRS1232x48L	※★◎	48 (35.0~57.0)	0.08	3.84	2500	110.54	3.13	5.15	0.20	42.6
TRS1232x48M	※★◎	48 (35.0~57.0)	0.19	9.12	3000	131.80	3.73	7.32	0.29	48.1
TRS1232x48H	※★◎	48 (35.0~57.0)	0.22	10.56	3500	153.06	4.33	9.88	0.39	51.0
TRS1232x48VH	※★◎	48 (35.0~57.0)	0.25	12.00	4000	174.32	4.93	11.81	0.46	54.5

◎ Bearing System ※ : Sleeve ★ : WRB ◎ : Ball

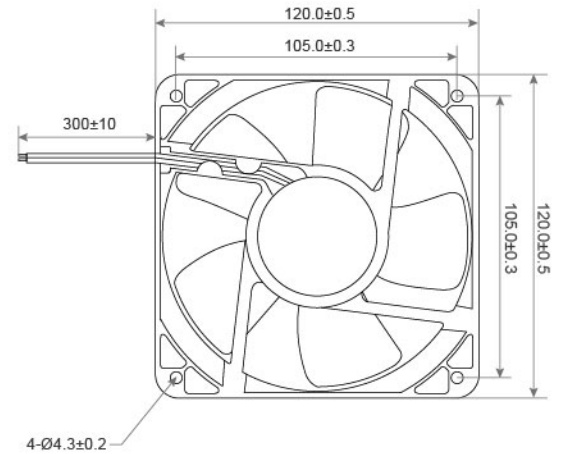
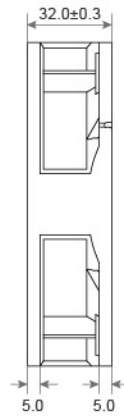
★如果您需要的轉速或電壓或功能不在這份清單上，請與我們業務聯繫 Please contact us, if the SPEC you need is not in the list.

★產品詳細數據及功能請參閱承認書 Please see the approval sheet for more information . ★產品規格變更不另行通知 Specifications are subject to change without notice. ■ A96



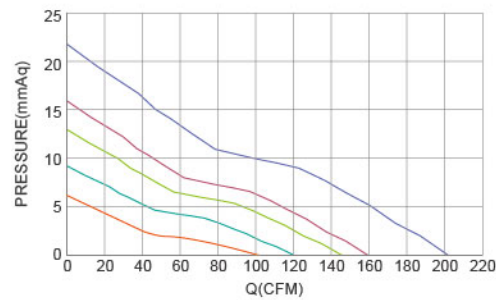
# DC Axial Fan TRF12032 A SERIES 120X120X32mm

DIMENSIONS DRAWING UNIT : mm



- Frame : Thermoplastic PBT UL94-V0  
外框材質：環保防火PBT
- Impeller : Thermoplastic PBT UL94-V0  
扇葉材質：環保防火PBT
- Bearing : ※Sleeve · ★WRB · ◎Two Ball Bearing  
軸承：※含油 · ★WRB · ◎滾珠軸承
- Unit Weight : 208g  
風扇單體重量：208克

P&Q Curve At Rated Voltage



Model No.	Bearing Type	Voltage (VDC)	Current (A)	Power (W)	Speed (RPM)	Air Flow (CFM)	Air Flow (m <sup>3</sup> /min)	Air Pressure (mmH <sub>2</sub> O)	Air Pressure (Inch H <sub>2</sub> O)	Noise (dBA)
TRF1232x12D	※★◎	12 (7.2~13.8)	0.13	1.56	2000	81.01	2.30	3.95	0.155	35.5
TRF1232x12L	※★◎	12 (7.2~13.8)	0.26	3.12	2500	100.71	2.86	6.57	0.258	40.5
TRF1232x12M	※★◎	12 (7.2~13.8)	0.40	4.80	3000	118.08	3.35	9.31	0.366	46.0
TRF1232x12H	※★◎	12 (7.2~13.8)	0.68	8.16	3600	146.33	4.15	13.01	0.512	51.5
TRF1232x12VH	※★◎	12 (7.2~13.8)	0.85	10.20	4000	159.15	4.52	15.91	0.626	54.5
TRF1232x12SH	※★◎	12 (7.2~13.8)	1.63	19.60	5000	205.11	5.82	21.89	0.860	62.0
TRF1232x24D	※★◎	24 (14.5~27.5)	0.065	1.56	2000	81.01	2.30	3.95	0.155	35.5
TRF1232x24L	※★◎	24 (14.5~27.5)	0.13	3.12	2500	100.71	2.86	6.57	0.258	40.5
TRF1232x24M	※★◎	24 (14.5~27.5)	0.20	4.80	3000	118.08	3.35	9.31	0.366	46.0
TRF1232x24H	※★◎	24 (14.5~27.5)	0.34	8.16	3600	146.33	4.15	13.01	0.512	51.5
TRF1232x24VH	※★◎	24 (14.5~27.5)	0.43	10.20	4000	159.15	4.52	15.91	0.626	54.5
TRF1232x24SH	※★◎	24 (14.5~27.5)	0.82	19.60	5000	205.11	5.82	21.89	0.860	62.0
TRF1232x48D	※★◎	48 (36.5~57.5)	0.033	1.56	2000	81.01	2.30	3.95	0.155	35.5
TRF1232x48L	※★◎	48 (36.5~57.5)	0.10	3.12	2500	100.71	2.86	6.57	0.258	40.5
TRF1232x48M	※★◎	48 (36.5~57.5)	0.17	4.80	3000	118.08	3.35	9.31	0.366	46.0
TRF1232x48H	※★◎	48 (36.5~57.5)	0.22	8.16	3600	146.33	4.15	13.01	0.512	51.5
TRF1232x48VH	※★◎	48 (36.5~57.5)	0.22	10.20	4000	159.15	4.52	15.91	0.626	54.5
TRF1232x48SH	※★◎	48 (36.5~57.5)	0.41	19.60	5000	205.11	5.82	21.89	0.860	62.0