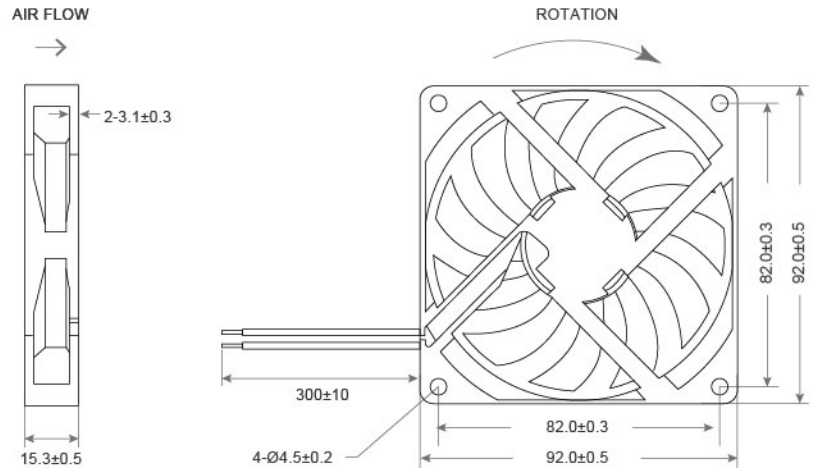


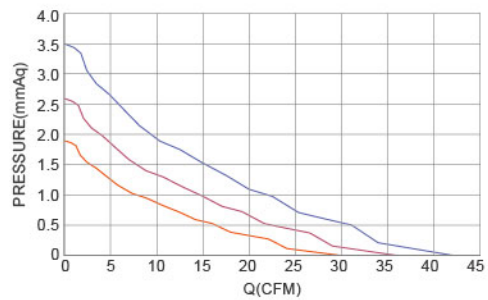
DC Axial Fan TRS9015 SERIES 92X92X15mm

DIMENSIONS DRAWING UNIT : mm



- Frame : Thermoplastic PBT UL94-V0
外框材質：環保防火PBT
- Impeller : Thermoplastic PBT UL94-V0
扇葉材質：環保防火PBT
- Bearing : ※Sleeve · ★WRB · ◎Two Ball Bearing
軸承：※含油 · ★WRB · ◎滾珠軸承
- Unit Weight : 50g
風扇單體重量：50克

P&Q Curve At Rated Voltage

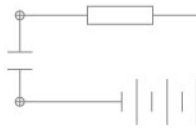


Model No.	Bearing Type	Voltage (VDC)	Current (A)	Power (W)	Speed (RPM)	Air Flow (CFM)	Air Flow (m ³ /min)	Air Pressure (mmH ₂ O)	Air Pressure (Inch H ₂ O)	Noise (dBA)
TRS9015x05D	※★◎	5 (4.0~6.0)	0.17	0.85	2000	23.99	0.68	1.15	0.05	27.6
TRS9015x05L	※★◎	5 (4.0~6.0)	0.24	1.20	2500	29.99	0.85	1.80	0.07	31.4
TRS9015x12D	※★◎	12 (7.0~14.0)	0.07	0.84	2000	23.99	0.68	1.15	0.05	27.6
TRS9015x12L	※★◎	12 (7.0~14.0)	0.10	1.20	2500	29.99	0.85	1.80	0.07	31.4
TRS9015x12M	※★◎	12 (7.0~14.0)	0.17	2.04	3000	35.99	1.02	2.59	0.10	34.5
TRS9015x12H	※★◎	12 (7.0~14.0)	0.26	3.12	3500	41.99	1.19	3.52	0.14	37.5
TRS9015x24M	※★◎	24 (15.0~27.0)	0.05	1.20	2500	29.99	0.85	1.80	0.07	31.4
TRS9015x24H	※★◎	24 (15.0~27.0)	0.08	1.92	3000	35.99	1.02	2.59	0.10	34.5
TRS9015x24VH	※★◎	24 (15.0~27.0)	0.13	3.12	3500	41.99	1.19	3.52	0.14	37.5

◎ Bearing System ※ : Sleeve ★ : WRB ◎ : Ball

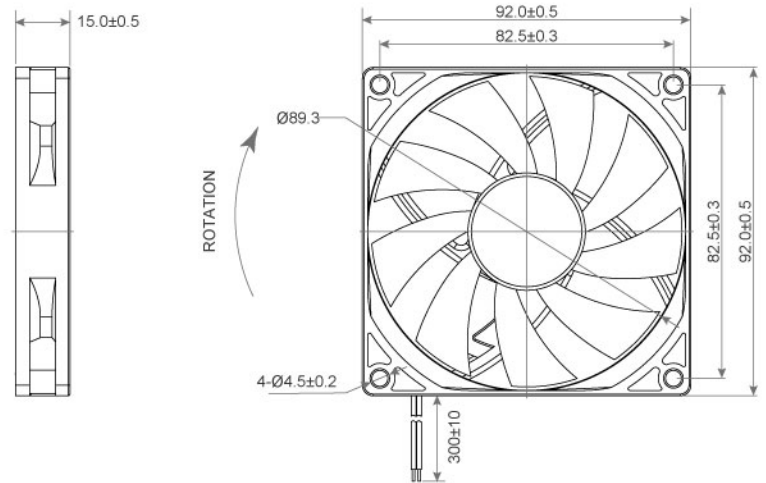
★如果您需要的轉速或電壓或功能不在這份清單上，請與我們業務聯繫 Please contact us, if the SPEC you need is not in the list.

■ A71 ★產品詳細數據及功能請參閱承認書 Please see the approval sheet for more information . ★產品規格變更不另行通知 Specifications are subject to change without notice.



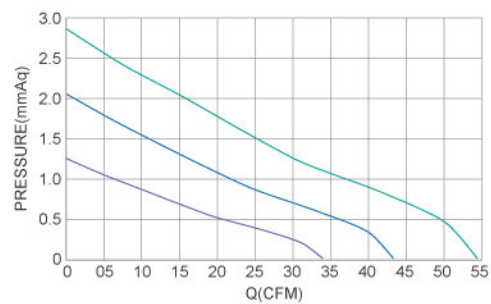
DC Axial Fan SRL9215 SERIES 92X92X15mm

DIMENSIONS DRAWING UNIT : mm



- Frame : Thermoplastic PBT UL94-V0
外框材質：環保防火PBT
- Impeller : Thermoplastic PBT UL94-V0
扇葉材質：環保防火PBT
- Bearing : ※ Sleeve · ★ WRB · ◎ Two Ball Bearing
軸承：※ 含油 · ★ WRB · ◎ 滾珠軸承
- Unit Weight : 60.8g
風扇單體重量：60.8克

P&Q Curve At Rated Voltage



Model No.	Bearing Type	Voltage (VDC)	Current (A)	Power (W)	Speed (RPM)	Air Flow (CFM)	Air Flow (m ³ /min)	Air Pressure (mmH ₂ O)	Air Pressure (Inch H ₂ O)	Noise (dBA)
SRLx0921512LB	※ ★ ◎	12 (4.0~13.8)	0.20	2.40	2000	34.09	0.96	1.29	0.05	23.0
SRLx0921512MB	※ ★ ◎	12 (3.5~13.8)	0.23	2.76	2500	43.53	1.23	2.08	0.08	29.4
SRLx0921512HB	※ ★ ◎	12 (3.5~13.8)	0.45	5.40	3000	54.65	1.55	2.91	0.11	36.5

⊗ Bearing System ※ : Sleeve ★ : WRB ◎ : Ball

★ 如果您需要的轉速或電壓或功能不在這份清單上，請與我們業務聯繫 Please contact us, if the SPEC you need is not in the list.

★ 產品詳細數據及功能請參閱承認書 Please see the approval sheet for more information . ★ 產品規格變更不另行通知 Specifications are subject to change without notice. ■ A72