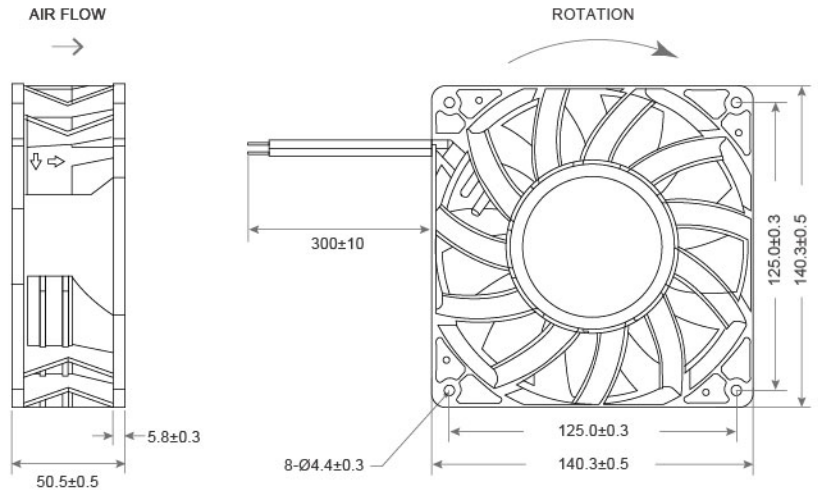


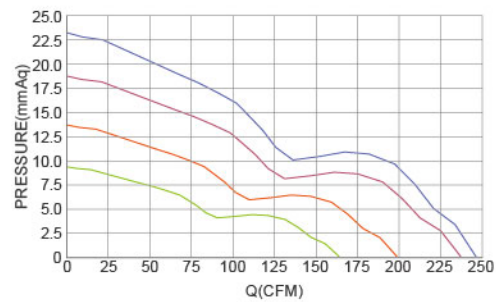
# DC Axial Fan TRD14050 SERIES 140X140X50mm

DIMENSIONS DRAWING UNIT : mm



- Frame : Thermoplastic PBT UL94-V0  
外框材質：環保防火PBT
- Impeller : Thermoplastic PBT UL94-V0  
扇葉材質：環保防火PBT
- Bearing : ※ Sleeve · ★ WRB · ◎ Two Ball Bearing  
軸承：※ 含油 · ★ WRB · ◎ 滾珠軸承
- Unit Weight : 400g  
風扇單體重量：400克

P&Q Curve At Rated Voltage



Model No.	Bearing Type	Voltage (VDC)	Current (A)	Power (W)	Speed (RPM)	Air Flow (CFM)	Air Flow (m <sup>3</sup> /min)	Air Pressure (mmH <sub>2</sub> O)	Air Pressure (Inch H <sub>2</sub> O)	Noise (dBA)
TRD14050x12D	※★◎	12 (7.0~14.0)	0.80	9.60	2500	166.41	4.71	9.50	0.37	49.7
TRD14050x12L	※★◎	12 (7.0~14.0)	1.30	15.60	3000	199.69	5.65	13.68	0.54	55.5
TRD14050x12H	※★◎	12 (7.0~14.0)	2.05	24.60	3500	232.97	6.59	18.62	0.73	59.2
TRD14050x12VH	※★◎	12 (7.0~14.0)	3.10	37.20	4000	246.03	6.96	24.32	0.96	62.8
TRD14050x24D	※★◎	24 (15.0~27.0)	0.40	9.60	2500	166.41	4.71	9.50	0.37	49.7
TRD14050x24L	※★◎	24 (15.0~27.0)	0.65	15.60	3000	199.69	5.65	13.68	0.54	55.5
TRD14050x24H	※★◎	24 (15.0~27.0)	1.00	24.00	3500	232.97	6.59	18.62	0.73	59.2
TRD14050x24VH	※★◎	24 (15.0~27.0)	1.50	36.00	4000	246.03	6.96	24.32	0.96	62.8
TRD14050x48D	※★◎	48 (35.0~57.0)	0.22	10.56	2500	166.41	4.71	9.50	0.37	49.7
TRD14050x48L	※★◎	48 (35.0~57.0)	0.32	15.36	3000	199.69	5.65	13.68	0.54	55.5
TRD14050x48H	※★◎	48 (35.0~57.0)	0.50	24.00	3500	232.97	6.59	18.62	0.73	59.2
TRD14050x48VH	※★◎	48 (35.0~57.0)	0.75	36.00	4000	246.03	6.96	24.32	0.96	62.8

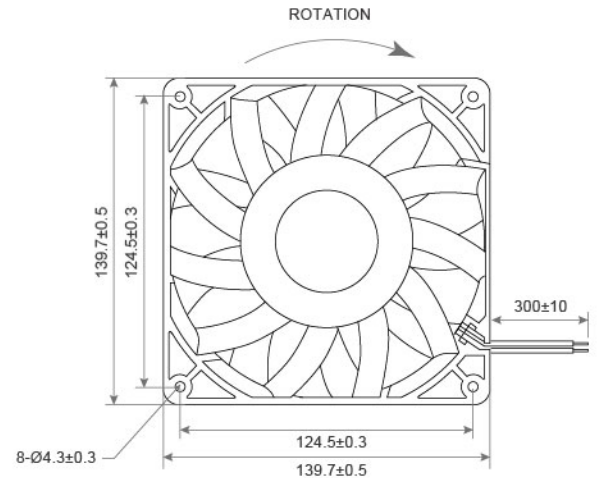
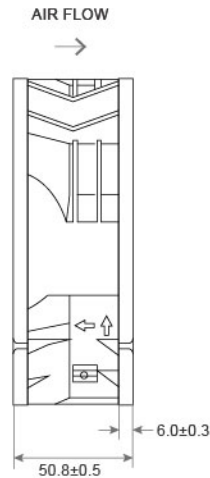
⊗ Bearing System ※ : Sleeve ★ : WRB ◎ : Ball

★如果您需要的轉速或電壓或功能不在這份清單上，請與我們業務聯繫 Please contact us, if the SPEC you need is not in the list.

■ A111★產品詳細數據及功能請參閱承認書 Please see the approval sheet for more information . ★產品規格變更不另行通知 Specifications are subject to change without notice.

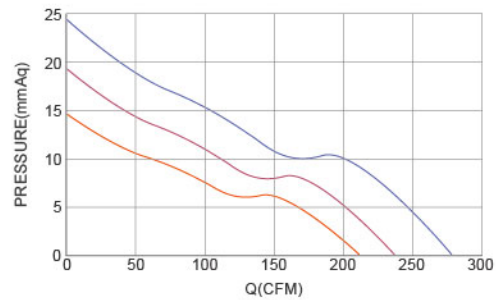


DIMENSIONS DRAWING UNIT : mm



- Frame : Thermoplastic PBT UL94-V0  
外框材質 : 環保防火PBT
- Impeller : Thermoplastic PBT UL94-V0  
扇葉材質 : 環保防火PBT
- Bearing : ※Sleeve · ★WRB · ◎Two Ball Bearing  
軸承 : ※含油 · ★WRB · ◎滾珠軸承
- Unit Weight : 670g  
風扇單體重量 : 670克

P&Q Curve At Rated Voltage



Model No.	Bearing Type	Voltage (VDC)	Current (A)	Power (W)	Speed (RPM)	Air Flow (CFM)	Air Flow (m <sup>3</sup> /min)	Air Pressure (mmH <sub>2</sub> O)	Air Pressure (Inch H <sub>2</sub> O)	Noise (dBA)
TRD14050x12L	※◎★	12 (7.2-13.8)	1.42	17.04	2800	214.73	6.09	14.64	0.58	54.5
TRD14050x12M	※◎★	12 (7.2-13.8)	1.82	21.84	3200	237.26	6.74	18.02	0.71	58.5
TRD14050x12H	※◎★	12 (7.2-13.8)	3.10	37.20	3600	275.74	7.83	24.65	0.97	61.5
TRD14050x24L	※◎★	24 (14.5-27.5)	0.71	17.04	2800	214.73	6.09	14.64	0.58	54.5
TRD14050x24M	※◎★	24 (14.5-27.5)	0.91	21.84	3200	237.26	6.74	18.02	0.71	58.5
TRD14050x24H	※◎★	24 (14.5-27.5)	1.53	36.72	3600	275.74	7.83	24.65	0.97	61.5
TRD14050x48L	※◎★	48 (29.0-55.0)	0.36	17.28	2800	214.73	6.09	14.64	0.58	54.5
TRD14050x48M	※◎★	48 (29.0-55.0)	0.46	22.08	3200	237.26	6.74	18.02	0.71	58.5
TRD14050x48H	※◎★	48 (29.0-55.0)	0.77	36.96	3600	275.74	7.83	24.65	0.97	61.5

◎ Bearing System ※ : Sleeve ★ : WRB ◎ : Ball

★如果您需要的轉速或電壓或功能不在這份清單上，請與我們業務聯繫 Please contact us, if the SPEC you need is not in the list.

★產品詳細數據及功能請參閱承認書 Please see the approval sheet for more information . ★產品規格變更不另行通知 Specifications are subject to change without notice. A112