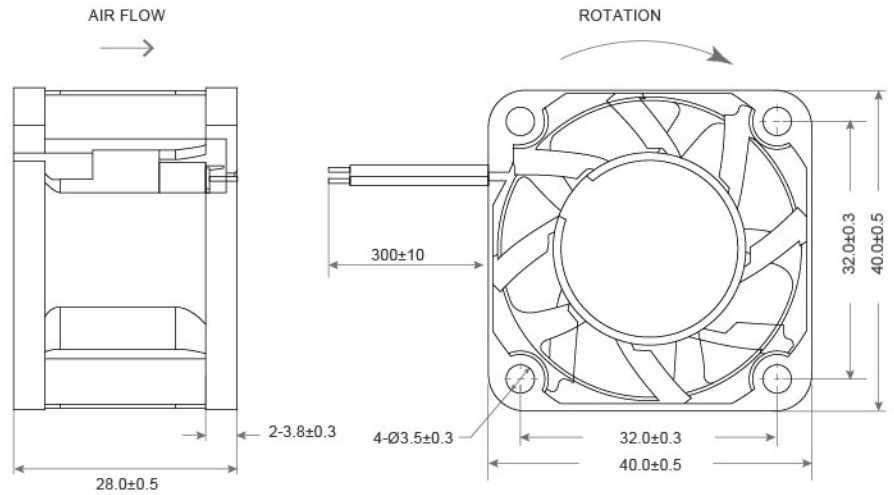


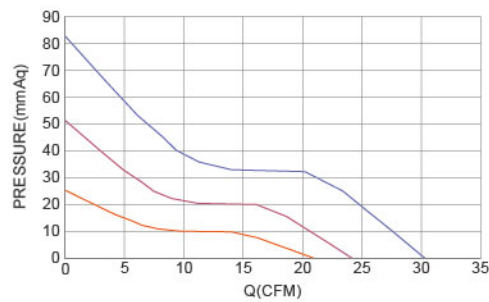
# DC Axial Fan TRD4028 SERIES 40X40X28mm

DIMENSIONS DRAWING UNIT : mm



- Frame : Thermoplastic PBT UL94-V0  
外框材質：環保防火PBT
- Impeller : Thermoplastic PBT UL94-V0  
扇葉材質：環保防火PBT
- Bearing : ※ Sleeve · ◎ Two Ball Bearing  
軸承：※ 含油 · ◎ 滾珠軸承
- Unit Weight : 50g  
風扇單體重量：50克

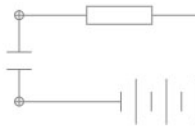
P&Q Curve At Rated Voltage



Model No.	Bearing Type	Voltage (VDC)	Current (A)	Power (W)	Speed (RPM)	Air Flow (CFM)	Air Flow (m <sup>3</sup> /min)	Air Pressure (mmH <sub>2</sub> O)	Air Pressure (Inch H <sub>2</sub> O)	Noise (dBA)
TRD4028x12D	※◎	12 (7.0~14.0)	0.08	0.96	7000	10.27	0.29	7.20	0.28	33.5
TRD4028x12L	※◎	12 (7.0~14.0)	0.12	1.44	8500	12.48	0.35	10.61	0.42	36.4
TRD4028x12M	※◎	12 (7.0~14.0)	0.20	2.40	10000	14.50	0.41	14.70	0.58	42.1
TRD4028x12H	※◎	12 (7.0~14.0)	0.26	3.12	11500	16.88	0.48	19.42	0.76	43.9
TRD4028x12VH	※◎	12 (7.0~14.0)	0.34	4.08	13000	19.08	0.54	24.82	0.98	48.3
TRD4028x12SH.Q	※◎	12 (7.0~14.0)	0.44	5.28	14500	21.70	0.61	25.77	1.01	50.3
TRD4028x24D	※◎	24 (15.0~27.0)	0.04	0.96	7000	10.27	0.29	7.20	0.28	33.5
TRD4028x24L	※◎	24 (15.0~27.0)	0.06	1.44	8500	12.48	0.35	10.61	0.42	36.4
TRD4028x24M	※◎	24 (15.0~27.0)	0.10	2.40	10000	14.50	0.41	14.70	0.58	42.1
TRD4028x24H	※◎	24 (15.0~27.0)	0.13	3.12	11500	16.88	0.48	19.42	0.76	43.9
TRD4028x24VH	※◎	24 (15.0~27.0)	0.17	4.08	13000	19.08	0.54	24.82	0.98	48.3
TRD4028x24SH.Q	※◎	24 (15.0~27.0)	0.22	5.28	14500	21.70	0.61	25.77	1.01	50.3
TRD4028x24UH.Q	※◎	24 (15.0~27.0)	0.31	7.44	18000	23.55	0.67	50.11	1.97	53.5
TRD4028x24HH.Q	※◎	24 (15.0~27.0)	0.53	12.72	23000	30.10	0.85	81.81	3.22	62.5

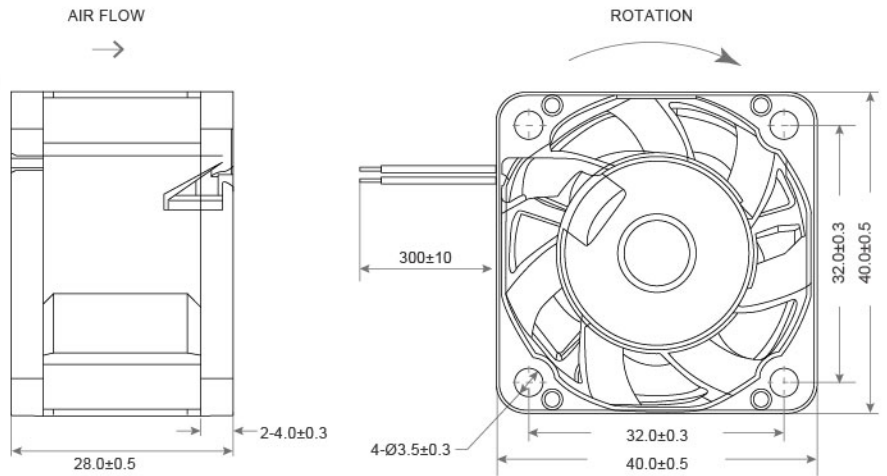
⊗ Bearing System ※ : Sleeve ★ : WRB ◎ : Ball

★如果您需要的轉速或電壓或功能不在這份清單上，請與我們業務聯繫 Please contact us, if the SPEC you need is not in the list.



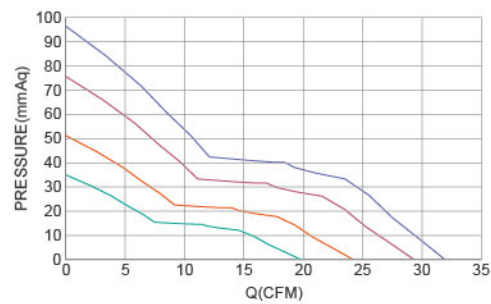
# DC Axial Fan TRD4028 B SERIES 40X40X28mm

DIMENSIONS DRAWING UNIT : mm



- Frame : Thermoplastic PBT UL94-V0  
外框材質：環保防火PBT
- Impeller : Thermoplastic PBT UL94-V0  
扇葉材質：環保防火PBT
- Bearing : ※ Sleeve · ★ WRB · ◎ Two Ball Bearing  
軸承：※含油 · ★WRB · ◎滾珠軸承
- Unit Weight : 50g  
風扇單體重量：50克

P&Q Curve At Rated Voltage

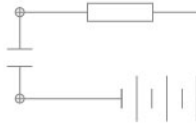


Model No.	Bearing Type	Voltage (VDC)	Current (A)	Power (W)	Speed (RPM)	Air Flow (CFM)	Air Flow (m <sup>3</sup> /min)	Air Pressure (mmH <sub>2</sub> O)	Air Pressure (Inch H <sub>2</sub> O)	Noise (dBA)
TRD4028x12L	※★◎	12 (7.0~14.0)	0.22	2.64	12000	15.70	0.44	22.27	0.88	45.0
TRD4028x12M	※★◎	12 (7.0~14.0)	0.33	3.96	15000	19.63	0.56	34.80	1.37	49.2
TRD4028x12H	※★◎	12 (7.0~14.0)	0.52	6.24	18000	23.55	0.67	50.11	1.97	53.5
TRD4028x12VH	※★◎	12 (7.0~14.0)	0.95	11.40	22000	28.79	0.81	74.85	2.95	55.7
TRD4028x12SH	※★◎	12 (7.0~14.0)	1.22	14.64	25000	32.71	0.93	96.66	3.81	64.0
TRD4028x24L	※★◎	24 (15.0~27.0)	0.11	2.64	12000	15.70	0.44	22.27	0.88	45.0
TRD4028x24M	※★◎	24 (15.0~27.0)	0.17	3.96	15000	19.63	0.56	34.80	1.37	49.2
TRD4028x24H	※★◎	24 (15.0~27.0)	0.26	6.24	18000	23.55	0.67	50.11	1.97	53.5
TRD4028x24VH	※★◎	24 (15.0~27.0)	0.48	11.40	22000	28.79	0.81	74.85	2.95	55.7
TRD4028x24SH	※★◎	24 (15.0~27.0)	0.61	14.64	25000	32.71	0.93	96.66	3.81	64.0
TRD4028x48L	※★◎	48 (35.0~57.0)	0.06	2.64	12000	15.70	0.44	22.27	0.88	45.0
TRD4028x48M	※★◎	48 (35.0~57.0)	0.08	3.96	15000	19.63	0.56	34.80	1.37	49.2
TRD4028x48H	※★◎	48 (35.0~57.0)	0.13	6.24	18000	23.55	0.67	50.11	1.97	53.5
TRD4028x48VH	※★◎	48 (35.0~57.0)	0.24	11.40	22000	28.79	0.81	74.85	2.95	55.7
TRD4028x48SH	※★◎	48 (35.0~57.0)	0.31	14.64	25000	32.71	0.93	96.66	3.81	64.0

◎ Bearing System ※ : Sleeve ★ : WRB ◎ : Ball

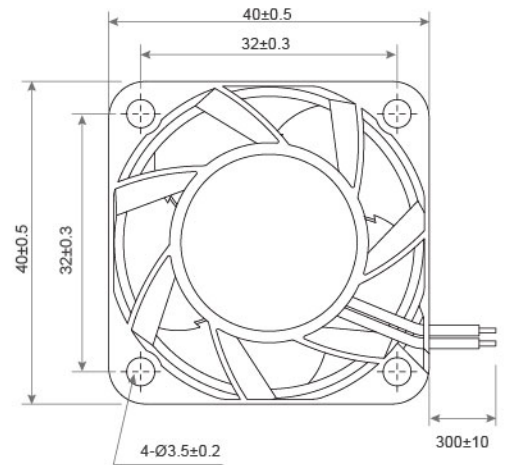
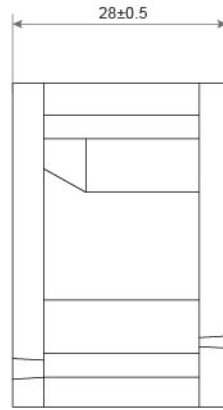
★如果您需要的轉速或電壓或功能不在這份清單上，請與我們業務聯繫 Please contact us, if the SPEC you need is not in the list.

★產品詳細數據及功能請參閱承認書 Please see the approval sheet for more information . ★產品規格變更不另行通知 Specifications are subject to change without notice. ■ A24



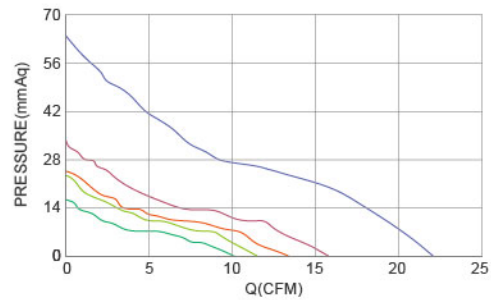
# DC Axial Fan TRD4028 U SERIES 40X40X28mm

DIMENSIONS DRAWING UNIT : mm



- Frame : Thermoplastic PBT UL94-V0  
外框材質 : 環保防火PBT
- Impeller : Thermoplastic PBT UL94-V0  
扇葉材質 : 環保防火PBT
- Bearing : ※Sleeve · ★WRB · ◎Two Ball Bearing  
軸承 : ※含油 · ★WRB · ◎滾珠軸承
- Unit Weight : 40g  
風扇單體重量 : 40克

P&Q Curve At Rated Voltage

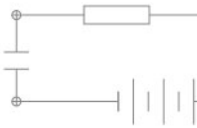


Model No.	Bearing Type	Voltage (VDC)	Current (A)	Power (W)	Speed (RPM)	Air Flow (CFM)	Air Flow (m <sup>3</sup> /min)	Air Pressure (mmH <sub>2</sub> O)	Air Pressure (Inch H <sub>2</sub> O)	Noise (dBA)
TRD4028x12L	※◎★	12 (7.5~13.5)	0.15	1.8	10000	10.26	0.29	16.0	0.63	32.2
TRD4028x12M	※◎★	12 (7.5~13.5)	0.23	2.8	12000	11.76	0.33	22.7	0.89	38.6
TRD4028x12H	※◎★	12 (7.5~13.5)	0.30	3.6	14000	13.43	0.38	24.2	0.95	45.0
TRD4028x12VH	※◎★	12 (7.5~13.5)	0.37	4.4	16000	15.84	0.45	32.0	1.26	51.5
TRD4028x12SH	※◎★	12 (7.5~13.5)	0.66	7.9	22000	25.06	0.71	63.4	2.49	58.2
TRD4028x24L	※◎★	24 (17.5~26.5)	0.08	1.9	10000	10.26	0.29	16.0	0.63	32.2
TRD4028x24M	※◎★	24 (17.5~26.5)	0.12	2.9	12000	11.76	0.33	22.7	0.89	38.6
TRD4028x24H	※◎★	24 (17.5~26.5)	0.15	3.6	14000	13.43	0.38	24.2	0.95	45.0
TRD4028x24VH	※◎★	24 (17.5~26.5)	0.19	4.6	16000	15.84	0.45	32.0	1.26	51.5
TRD4028x24SH	※◎★	24 (17.5~26.5)	0.33	7.9	22000	25.06	0.71	63.4	2.49	58.2

◎ Bearing System ※ : Sleeve ★ : WRB ◎ : Ball

★如果您需要的轉速或電壓或功能不在這份清單上，請與我們業務聯繫 Please contact us, if the SPEC you need is not in the list.

■ A25 ★產品詳細數據及功能請參閱承認書 Please see the approval sheet for more information . ★產品規格變更不另行通知 Specifications are subject to change without notice.



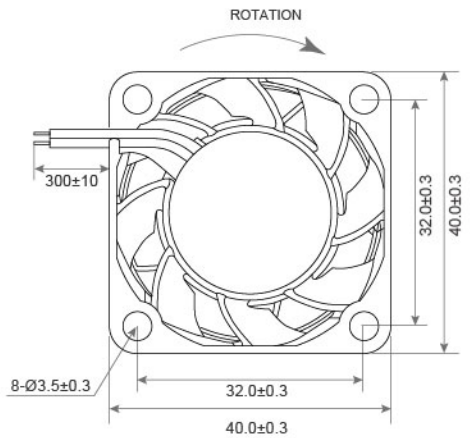
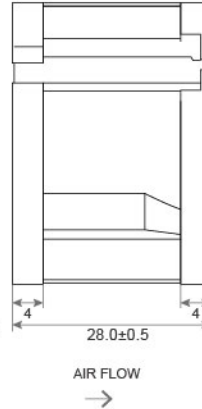
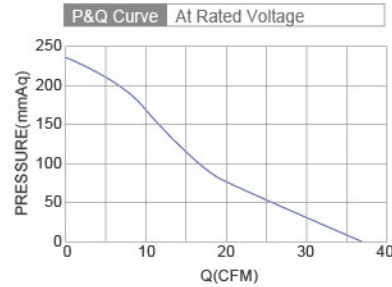
# DC Axial Fan

## TRF4028 B SERIES 40X40X28mm



- Frame options : Thermoplastic PBT UL94-V0 or Aluminum  
外框材質：可選擇環保防火PBT 或 鋁框
- Impeller : Thermoplastic PBT UL94-V0  
扇葉材質：環保防火PBT
- Bearing : ※Sleeve · ★WRB · ◎Two Ball Bearing  
軸承：※含油 · ★WRB · ◎滾珠軸承
- Unit Weight : 60g (Aluminum)  
風扇單體重量：60克 (鋁框)

DIMENSIONS DRAWING UNIT : mm



Model No.	Bearing Type	Voltage (VDC)	Current (A)	Power (W)	Speed (RPM)	Air Flow (CFM)	Air Flow (m <sup>3</sup> /min)	Air Pressure (mmH <sub>2</sub> O)	Air Pressure (Inch H <sub>2</sub> O)	Noise (dBA)
TRF4028x12H	※◎★	12 ( 7.0~13.2)	2.65	31.8	38000	37.1	1.05	234.53	9.24	71.0
TRF4028x24H	※◎★	24 (13.5~26.2)	1.32	31.8	38000	37.1	1.05	234.53	9.24	71.0

◎ Bearing System ※ : Sleeve ★ : WRB ◎ : Ball

★如果您需要的轉速或電壓或功能不在這份清單上，請與我們業務聯繫 Please contact us, if the SPEC you need is not in the list.

★產品詳細數據及功能請參閱承認書 Please see the approval sheet for more information . ★產品規格變更不另行通知 Specifications are subject to change without notice. ■ A26