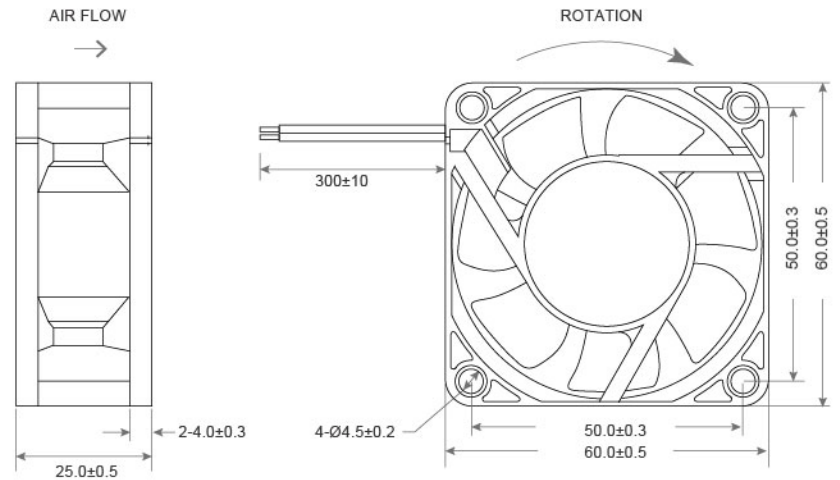


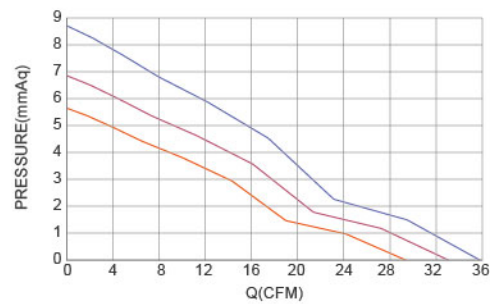
DC Axial Fan TRS6025 SERIES 60X60X25mm

DIMENSIONS DRAWING UNIT : mm



- Frame : Thermoplastic PBT UL94-V0
外框材質：環保防火PBT
- Impeller : Thermoplastic PBT UL94-V0
扇葉材質：環保防火PBT
- Bearing : ※ Sleeve · ★ WRB · ◎ Two Ball Bearing
軸承：※ 含油 · ★ WRB · ◎ 滾珠軸承
- Unit Weight : 58g
風扇單體重量：58克

P&Q Curve At Rated Voltage



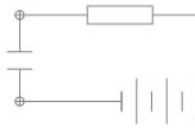
Model No.	Bearing Type	Voltage (VDC)	Current (A)	Power (W)	Speed (RPM)	Air Flow (CFM)	Air Flow (m ³ /min)	Air Pressure (mmH ₂ O)	Air Pressure (Inch H ₂ O)	Noise (dBA)
TRS6025x12D	※★◎	12 (7.0~14.0)	0.08	0.96	3000	18.59	0.53	2.29	0.09	27.2
TRS6025x12L	※★◎	12 (7.0~14.0)	0.12	1.44	3600	21.59	0.61	3.09	0.10	30.5
TRS6025x12M	※★◎	12 (7.0~14.0)	0.16	1.92	4200	25.19	0.71	4.20	0.17	35.7
TRS6025x12H	※★◎	12 (7.0~14.0)	0.18	2.16	4800	29.39	0.83	5.72	0.23	39.4
TRS6025x12VH	※ ◎	12 (7.0~14.0)	0.24	2.88	5400	32.39	0.92	6.94	0.27	42.0
TRS6025x12SH	※ ◎	12 (7.0~14.0)	0.42	5.04	6000	35.99	1.02	8.57	0.34	44.8
TRS6025x24D	※★◎	24 (15.0~27.0)	0.04	0.96	3000	18.59	0.53	2.29	0.09	27.2
TRS6025x24L	※★◎	24 (15.0~27.0)	0.07	1.44	3600	21.59	0.61	3.09	0.10	30.5
TRS6025x24M	※★◎	24 (15.0~27.0)	0.09	1.92	4200	25.19	0.71	4.20	0.17	35.7
TRS6025x24H	※★◎	24 (15.0~27.0)	0.10	2.16	4800	29.39	0.83	5.72	0.23	39.4
TRS6025x24VH	※ ◎	24 (15.0~27.0)	0.14	2.88	5400	32.39	0.92	6.94	0.27	42.0
TRS6025x24SH	※★◎	24 (15.0~27.0)	0.21	5.04	6000	35.99	1.02	8.57	0.34	44.8
TRS6025x48M	※★◎	48 (35.0~57.0)	0.05	1.92	4200	25.19	0.71	4.20	0.17	35.7
TRS6025x48H	※★◎	48 (35.0~57.0)	0.05	2.16	4800	29.39	0.83	5.72	0.23	39.4
TRS6025x48VH	※ ◎	48 (35.0~57.0)	0.07	2.88	5400	32.39	0.92	6.94	0.27	42.0
TRS6025x48SH	※ ◎	48 (35.0~57.0)	0.11	5.04	6000	35.99	1.02	8.57	0.34	44.8

Optional Frames :



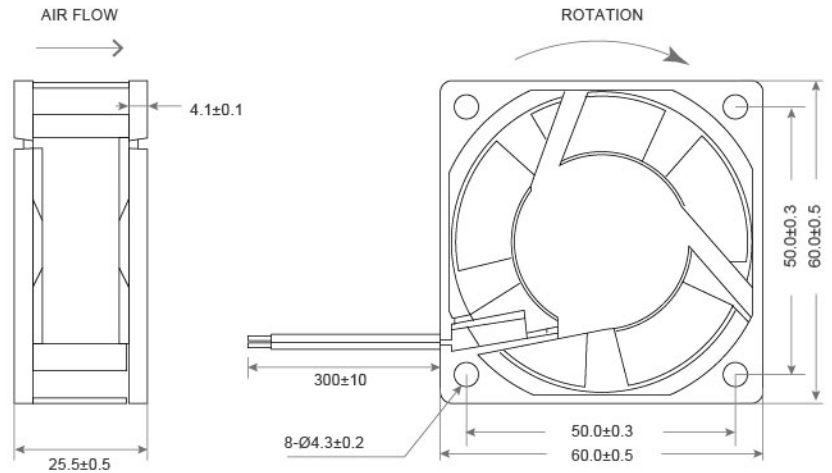
⊗ Bearing System ※ : Sleeve ★ : WRB ◎ : Ball

★如果您需要的轉速或電壓或功能不在這份清單上，請與我們業務聯繫 Please contact us, if the SPEC you need is not in the list.



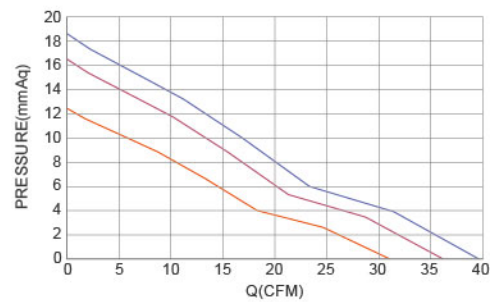
DC Axial Fan TRD6025 SERIES 60X60X25mm

DIMENSIONS DRAWING UNIT : mm



- Frame : Thermoplastic PBT UL94-V0
外框材質：環保防火PBT
- Impeller : Thermoplastic PBT UL94-V0
扇葉材質：環保防火PBT
- Bearing : ★WRB · ◎Two Ball Bearing
軸承：★WRB · ◎滾珠軸承
- Unit Weight : 55g
風扇單體重量：55克

P&Q Curve At Rated Voltage



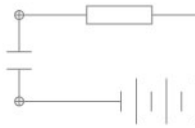
Model No.	Bearing Type	Voltage (VDC)	Current (A)	Power (W)	Speed (RPM)	Air Flow (CFM)	Air Flow (m ³ /min)	Air Pressure (mmH ₂ O)	Air Pressure (Inch H ₂ O)	Noise (dBA)
TRD6025x12D	★◎	12 (7.0~14.0)	0.09	1.08	3500	17.07	0.48	3.55	0.14	30.80
TRD6025x12L	★◎	12 (7.0~14.0)	0.15	1.80	4500	26.05	0.74	6.95	0.27	32.02
TRD6025x12M	◎	12 (7.0~14.0)	0.21	2.52	5500	29.00	0.82	8.65	0.34	40.00
TRD6025x24D	★◎	24 (15.0~27.0)	0.05	1.08	3500	17.07	0.48	3.55	0.14	30.80
TRD6025x24L	★◎	24 (15.0~27.0)	0.08	1.80	4500	26.05	0.74	6.95	0.27	32.02
TRD6025x24M	★◎	24 (15.0~27.0)	0.11	2.52	5500	29.00	0.82	8.65	0.34	40.00
TRD6025x24H	★◎	24 (15.0~27.0)	0.16	3.84	6500	31.70	0.90	12.26	0.48	46.30
TRD6025x24VH	★◎	24 (15.0~27.0)	0.17	4.08	7500	36.58	1.03	16.32	0.64	49.50
TRD6025x24SH	★◎	24 (15.0~27.0)	0.18	4.32	8000	39.02	1.10	18.57	0.73	50.90
TRD6025x48D	★◎	48 (35.0~57.0)	0.03	1.08	3500	17.07	0.48	3.55	0.14	30.80
TRD6025x48L	★◎	48 (35.0~57.0)	0.04	1.80	4500	26.05	0.74	6.95	0.27	32.02
TRD6025x48M	★◎	48 (35.0~57.0)	0.06	2.52	5500	29.00	0.82	8.65	0.34	40.00
TRD6025x48H	★◎	48 (35.0~57.0)	0.08	3.84	6500	31.70	0.90	12.26	0.48	46.30
TRD6025x48VH	★◎	48 (35.0~57.0)	0.08	4.08	7500	36.58	1.03	16.32	0.64	49.50
TRD6025x48SH	★◎	48 (35.0~57.0)	0.09	4.32	8000	39.02	1.10	18.57	0.73	50.90



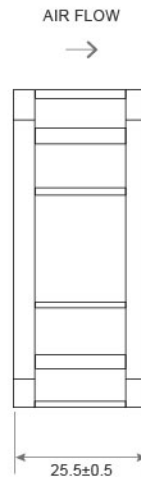
⊗ Bearing System ※ : Sleeve ★ : WRB ◎ : Ball

★如果您需要的轉速或電壓或功能不在這份清單上，請與我們業務聯繫 Please contact us, if the SPEC you need is not in the list.

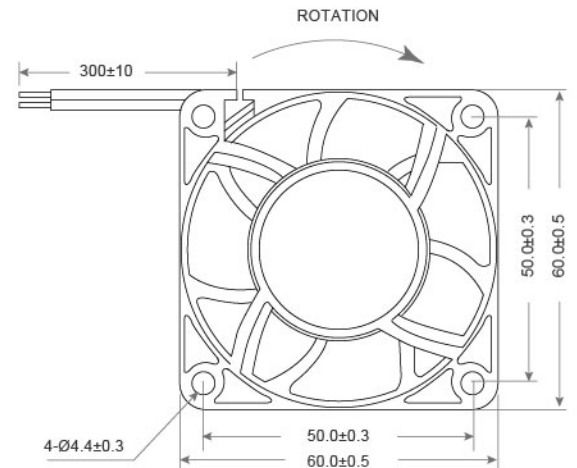
★產品詳細數據及功能請參閱承認書 Please see the approval sheet for more information . ★產品規格變更不另行通知 Specifications are subject to change without notice. ■ A40



DC Axial Fan TRD6025 B SERIES 60X60X25mm

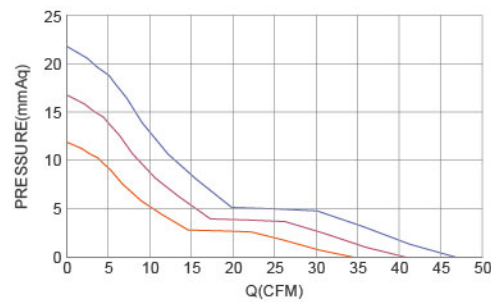


DIMENSIONS DRAWING UNIT : mm



- Frame : Thermoplastic PBT UL94-V0
外框材質：環保防火PBT
- Impeller : Thermoplastic PBT UL94-V0
扇葉材質：環保防火PBT
- Bearing : ※ Sleeve · ★ WRB · ◎ Two Ball Bearing
軸承：★ WRB · ◎ 滾珠軸承
- Unit Weight : 58g
風扇單體重量：58克

P&Q Curve At Rated Voltage

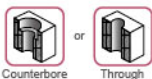


Model No.	Bearing Type	Voltage (VDC)	Current (A)	Power (W)	Speed (RPM)	Air Flow (CFM)	Air Flow (m ³ /min)	Air Pressure (mmH ₂ O)	Air Pressure (Inch H ₂ O)	Noise (dBA)
TRD6025x12L	★◎	12 (7.0~14.0)	0.08	0.95	4000	23.16	0.66	5.49	0.22	32.53
TRD6025x12M	★◎	12 (7.0~14.0)	0.12	1.51	5000	28.94	0.82	8.58	0.34	36.27
TRD6025x12H	★◎	12 (7.0~14.0)	0.18	2.25	6000	34.73	0.98	12.36	0.49	40.74
TRD6025x12VH	◎	12 (7.0~14.0)	0.27	3.28	7000	40.52	1.15	16.82	0.66	46.46
TRD6025x24L	★◎	24 (15.0~27.0)	0.04	0.95	4000	23.18	0.66	5.49	0.22	32.53
TRD6025x24M	★◎	24 (15.0~27.0)	0.06	1.51	5000	28.94	0.82	8.58	0.34	36.27
TRD6025x24H	★◎	24 (15.0~27.0)	0.09	2.25	6000	34.73	0.98	12.36	0.49	40.74
TRD6025x24VH	★◎	24 (15.0~27.0)	0.13	3.28	7000	40.52	1.15	16.82	0.66	46.46
TRD6025x24SH	★◎	24 (15.0~27.0)	0.20	4.74	8000	46.31	1.31	21.97	0.86	50.31
TRD6025x48L	★◎	48 (35.0~57.0)	0.02	0.95	4000	23.16	0.66	5.49	0.22	32.53
TRD6025x48M	★◎	48 (35.0~57.0)	0.03	1.51	5000	28.94	0.82	8.58	0.34	36.27
TRD6025x48H	★◎	48 (35.0~57.0)	0.05	2.25	6000	34.73	0.98	12.36	0.49	40.74
TRD6025x48VH	◎	48 (35.0~57.0)	0.07	3.28	7000	40.52	1.15	16.82	0.66	46.46
TRD6025x48SH	◎	48 (35.0~57.0)	0.10	4.74	8000	46.31	1.31	21.97	0.86	50.31

Optional Frames :



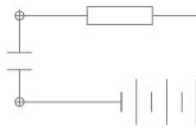
Screw Holes :



⊗ Bearing System ※ : Sleeve ★ : WRB ◎ : Ball

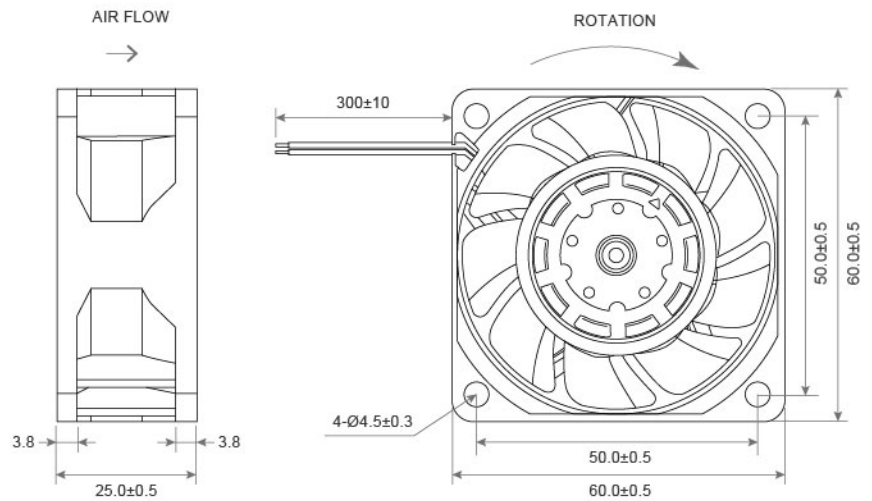
★如果您需要的轉速或電壓或功能不在這份清單上，請與我們業務聯繫 Please contact us, if the SPEC you need is not in the list.

★產品詳細數據及功能請參閱承認書 Please see the approval sheet for more information . ★產品規格變更不另行通知 Specifications are subject to change without notice.



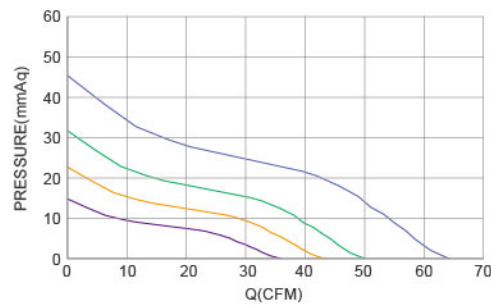
DC Axial Fan TRF6025 C SERIES 60X60X25mm

DIMENSIONS DRAWING UNIT : mm



- Frame : Thermoplastic PBT UL94-V0
外框材質：環保防火PBT
- Impeller : Thermoplastic PBT UL94-V0
扇葉材質：環保防火PBT
- Bearing : ※SLEEVE · ◎Two Ball Bearing
軸承：※SLEEVE · ◎滾珠軸承
- Unit Weight : 98g
風扇單體重量：98克

P&Q Curve At Rated Voltage



Model No.	Bearing Type	Voltage (VDC)	Current (A)	Power (W)	Speed (RPM)	Air Flow (CFM)	Air Flow (m ³ /min)	Air Pressure (mmH ₂ O)	Air Pressure (Inch H ₂ O)	Noise (dBA)
TRF6025x12M	※◎	12 (7.5~13.2)	0.35	4.20	7800	35.3	1.0	15.24	0.6	43.5
TRF6025x12H	※◎	12 (7.5~13.2)	0.50	6.00	9500	42.7	1.2	22.86	0.9	49.5
TRF6025x12VH	※◎	12 (7.5~13.2)	0.68	8.16	11000	49.4	1.4	30.48	1.2	53.5
TRF6025x12SH	※◎	12 (7.5~13.2)	1.10	13.20	13800	63.5	1.8	45.72	1.8	62.5
TRF6025x24M	※◎	24 (13.5~26.2)	0.18	4.20	7800	35.3	1.0	15.24	0.6	43.5
TRF6025x24H	※◎	24 (13.5~26.2)	0.25	6.00	9500	42.7	1.2	22.86	0.9	49.5
TRF6025x24VH	※◎	24 (13.5~26.2)	0.34	8.16	11000	49.4	1.4	30.48	1.2	53.5
TRF6025x24SH	※◎	24 (13.5~26.2)	0.55	13.2	13800	63.5	1.8	45.72	1.8	62.5
TRF6025x48M	※◎	48 (36.0~55.4)	0.09	4.32	7800	35.3	1.0	15.24	0.6	43.5
TRF6025x48H	※◎	48 (36.0~55.4)	0.13	6.00	9500	42.7	1.2	22.86	0.9	49.5
TRF6025x48VH	※◎	48 (36.0~55.4)	0.17	8.16	11000	49.4	1.4	30.48	1.2	53.5
TRF6025x48SH	※◎	48 (36.0~55.4)	0.28	13.40	13800	63.5	1.8	45.72	1.8	62.5

⊗ Bearing System ※ : Sleeve ★ : WRB ◎ : Ball

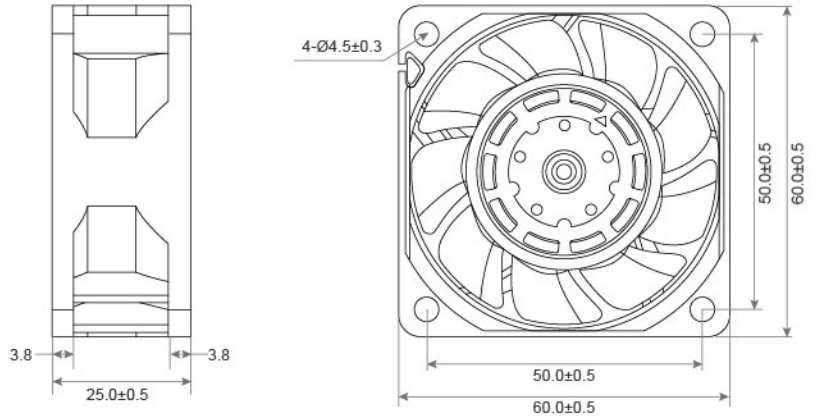
★如果您需要的轉速或電壓或功能不在這份清單上，請與我們業務聯繫 Please contact us, if the SPEC you need is not in the list.

★產品詳細數據及功能請參閱承認書 Please see the approval sheet for more information . ★產品規格變更不另行通知 Specifications are subject to change without notice. ■ A42



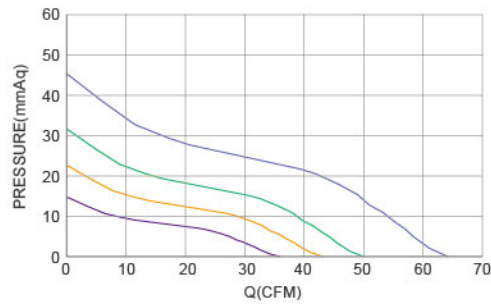
DC Axial Fan TRF6025 D SERIES 60X60X25mm

DIMENSIONS DRAWING UNIT : mm



- Frame : Aluminum
外框材質：鋁框
- Impeller : Thermoplastic PBT UL94-V0
扇葉材質：環保防火PBT
- Bearing : ※ Sleeve · ◎Two Ball Bearing
軸承：※含油 · ◎滾珠軸承
- Unit Weight : 112g
風扇單體重量：112克

P&Q Curve At Rated Voltage



Model No.	Bearing Type	Voltage (VDC)	Current (A)	Power (W)	Speed (RPM)	Air Flow (CFM)	Air Flow (m ³ /min)	Air Pressure (mmH ₂ O)	Air Pressure (Inch H ₂ O)	Noise (dBA)
TRF6025x12M	※◎	12 (7.5~13.2)	0.35	4.2	7800	35.3	1.0	15.30	0.6	43.5
TRF6025x12H	※◎	12 (7.5~13.2)	0.50	6.0	9500	42.7	1.2	22.84	0.9	49.5
TRF6025x12VH	※◎	12 (7.5~13.2)	0.68	8.2	11000	49.4	1.4	30.59	1.2	53.5
TRF6025x12SH	※◎	12 (7.5~13.2)	1.10	13.2	13800	63.5	1.8	45.68	1.8	62.5
TRF6025x24M	※◎	24 (13.5~26.2)	0.18	4.2	7800	35.3	1.0	15.30	0.6	43.5
TRF6025x24H	※◎	24 (13.5~26.2)	0.25	6.0	9500	42.7	1.2	22.84	0.9	49.5
TRF6025x24VH	※◎	24 (13.5~26.2)	0.34	8.2	11000	49.4	1.4	30.59	1.2	53.5
TRF6025x24SH	※◎	24 (13.5~26.2)	0.55	13.2	13800	63.5	1.8	45.68	1.8	62.5
TRF6025x48M	※◎	48 (36.0~55.4)	0.09	4.3	7800	35.3	1.0	15.30	0.6	43.5
TRF6025x48H	※◎	48 (36.0~55.4)	0.13	6.0	9500	42.7	1.2	22.84	0.9	49.5
TRF6025x48VH	※◎	48 (36.0~55.4)	0.17	8.2	11000	49.4	1.4	30.59	1.2	53.5
TRF6025x48SH	※◎	48 (36.0~55.4)	0.28	13.4	13800	63.5	1.8	45.68	1.8	62.5

◎ Bearing System ※ : Sleeve ★ : WRB ◎ : Ball

★如果您需要的轉速或電壓或功能不在這份清單上，請與我們業務聯繫 Please contact us, if the SPEC you need is not in the list.